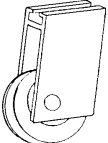
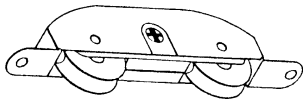

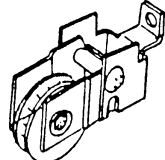
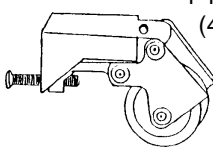
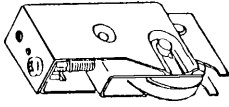
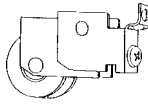
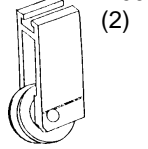
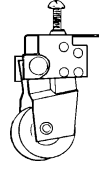
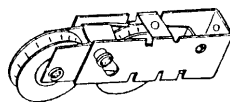
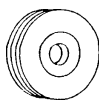
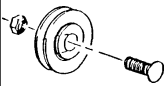

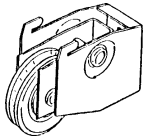
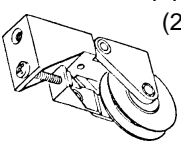


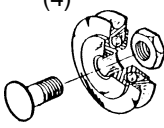
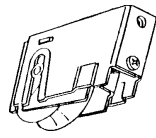
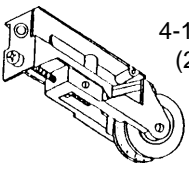
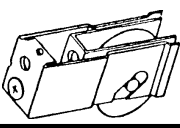
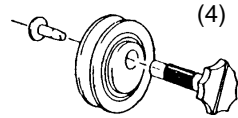


Service Kits	4-2
Patio Door Rollers	4-3 to 4-9
Patio Door Handles, Latches & Locks	4-11 to 4-16
Mortise Locks	4-16 to 4-17
Patio Door Strikes & Accessories	4-17 to 4-20
Patio Door Bumpers	4-21
Fixed Panel Holders	4-21
Miscellaneous Hardware	4-21 to 4-22, 4-23
Patio Door Track	4-22
Patio Door Cylinder Locks & Accessories	4-23 to 4-24

SLIDING GLASS DOOR HARDWARE



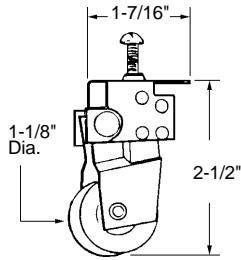
 4-105 (2)*	 4-120 (2)		 4-143 (4)	 4-133 (4)
 4-104 (4)	 4-111 (2)	 4-115 (2)	 4-109 (2)	 4-100 (2)
 4-103 (2)	 4-108 (10)	 4-114 (4)	 4-119 (2)	 4-125 (2)
 4-102 (2)	 4-155 (4)	 4-113 (4)	 4-118 (4)	 4-124 (2)
 4-101 (2)	 4-106 (4)		 4-123 (4)	

*Quantity in kit.

Take these kits to the job, use them in your shop or simply put one on your sales counter. All Glass Parts Inc. can **custom** make any number of kits to suit your specific requirements.

SLIDING GLASS DOOR HARDWARE

- Alternate use: 4-115 (page 4-5).
- Housing: 9/16" wide.



Sliding Glass Door Roller

Part Number

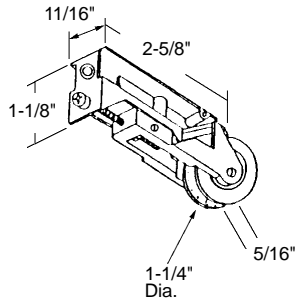
4-100

Housing: Steel

Wheel: Steel Ball Bearing

Unit: Each Bulk: 50 Pcs.

Used By: Alcan



Sliding Glass Door Roller

Part Number

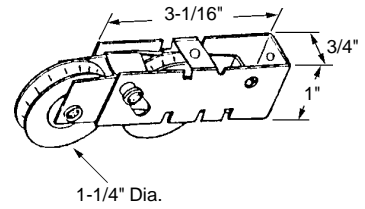
4-101

Housing: Die Cast

Wheel: Steel Ball Bearing

Unit: Each Bulk: 50 Pcs.

Used By: Indal



Sliding Glass Door Roller

Part Number

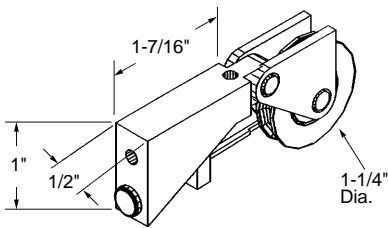
4-103

Housing: Steel

Wheels: Steel Ball Bearing

Unit: Each Bulk: 50 Pcs.

Used By: Fleetwood Pacific



Sliding Glass Door Roller

Part Number

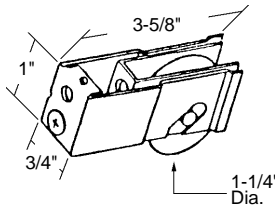
4-104

Housing: Die Cast

Wheel: Steel Ball Bearing

Unit: Each Bulk: 50 Pcs.

Used By: Alcan/Supreme



Sliding Glass Door Roller

Part Number

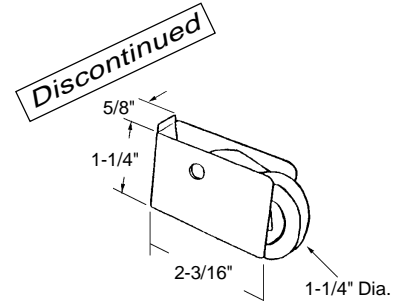
4-106

Housing: Steel

Wheel: Steel Ball Bearing

Unit: Each Bulk: 20 Pcs.

Used By: Custom



Sliding Glass Door Roller

Part Number

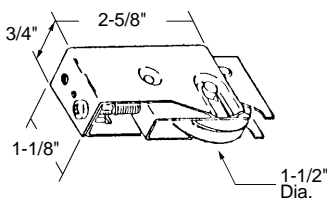
4-107

Housing: Steel

Wheel: Steel Ball Bearing

Unit: N/A

Used By: Custom



Sliding Glass Door Roller

Part Number

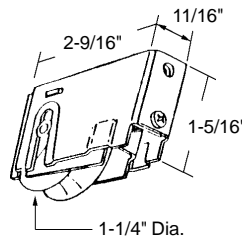
4-111

Housing: Steel

Wheel: Steel Ball Bearing

Unit: Each Bulk: 20 Pcs.

Used By: Hialco



Sliding Glass Door Roller

Part Number

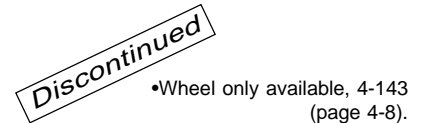
4-124

Housing: Steel

Wheel: Steel Ball Bearing

Unit: Each Bulk: 10 Pcs.

Used By: Wescraft



Sliding Glass Door Roller

Part Number

4-117

Housing: Extruded Aluminum

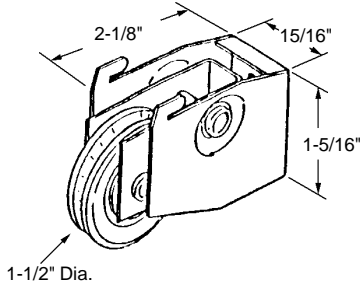
Wheel: Nylon Ball Bearing

Unit: N/A

Used By: Wescraft

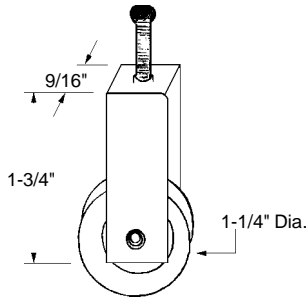
•Wheel only available, 4-143 (page 4-8).

SLIDING GLASS DOOR HARDWARE



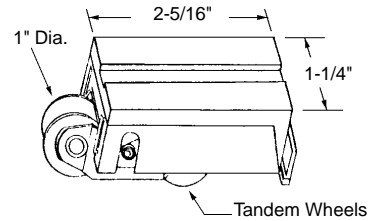
Sliding Glass Door Roller

Part Number
4-125
 Housing: Steel
 Wheel: Nylon Ball Bearing
 Unit: Each Bulk: 10 Pcs.
 Used By: Northrop



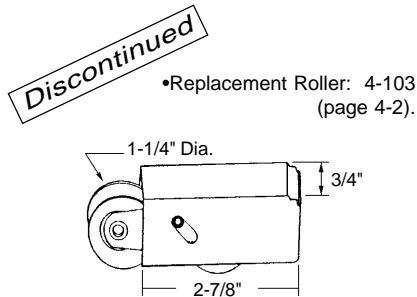
Sliding Glass Door Roller

Part Number	Wheel Type
4-154	Steel Ball Bearing
4-154A	Nylon Ball Bearing
Housing: Steel	
Wheel: Nylon Ball Bearing	
Unit: Each	Bulk: 10 Pcs.
Used By: Solaris	



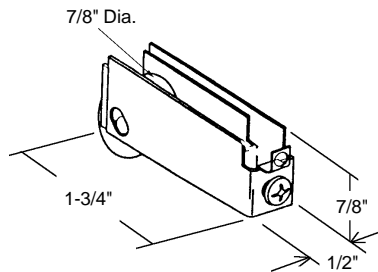
Sliding Glass Door Roller

Part Number
4-135
 Housing: Vinyl/Steel
 Tandem Wheels: Steel Ball Bearing
 Unit: Each Bulk: 5 Pcs.
 Used By: Solaris



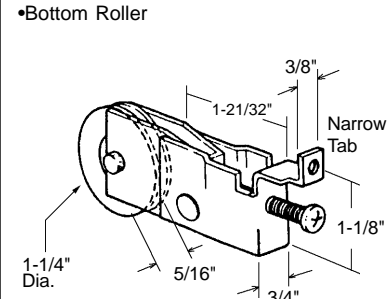
Sliding Glass Door Roller

Part Number
4-134
 Housing: Chrome Steel
 Tandem Wheels: Steel Ball Bearing
 Unit: N/A
 Used By: Solaris



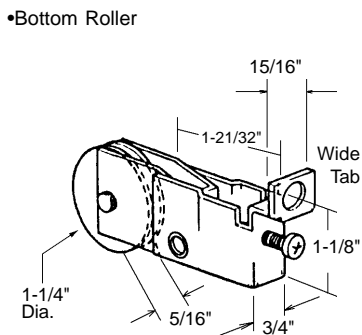
Sliding Glass Door Roller

Part Number
4-162
 Housing: Steel
 Wheel: Steel Ball Bearing
 Unit: Each Bulk: 10 Pcs.
 Used By: Products & Jordan Co.



Sliding Glass Door Roller

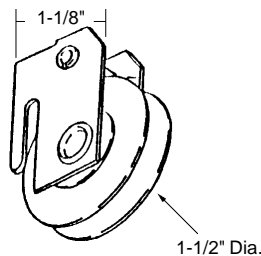
Part Number
4-144
 Housing: Steel
 Wheel: Nylon Ball Bearing
 Unit: Each Bulk: 10 Pcs.
 Used By: Ador/Hilite



Sliding Glass Door Roller

Part Number
4-151
 Housing: Steel
 Wheel: Nylon Ball Bearing
 Unit: Each Bulk: 10 Pcs.
 Used By: Ador/Hilite

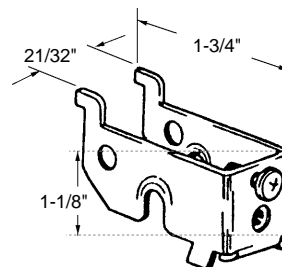
•Housing available separate, 4-119H (on this page).



Sliding Glass Door Roller

Part Number
4-119
 Housing: Steel
 Wheel: Nylon Ball Bearing
 Unit: Each Bulk: 20 Pcs.
 Used By: Ador/Hilite

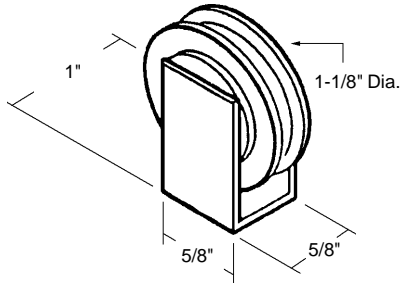
•Complete roller, 4-119 (on this page).



Adjusting Roller Bracket

Part Number
4-119H
 Housing: Steel
 Unit: Each Bulk: 10 Pcs.
 Used By: Ador/Hilite

SLIDING GLASS DOOR HARDWARE



Sliding Glass Door Roller

Part Number

4-145

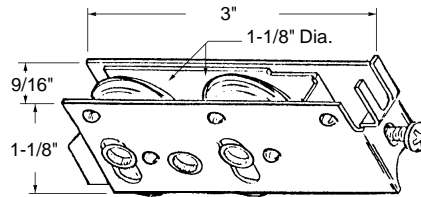
Housing: Nylon

Wheel: Steel Ball Bearing

Unit: Each Bulk: 10 Pcs.

Used By: Horizon & Others

•3/4" wide housing at bulbs.



Sliding Glass Door Roller

Part Number

4-147

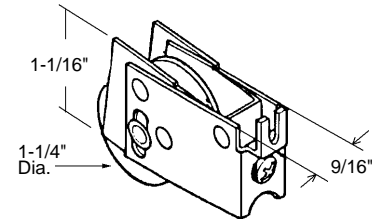
Housing: Steel

Tandem Wheels: Steel Ball Bearing

Unit: Each Bulk: 10 Pcs.

Used By: Several Manufacturers

•3/4" wide housing at bulbs.



Sliding Glass Door Roller

Part Number

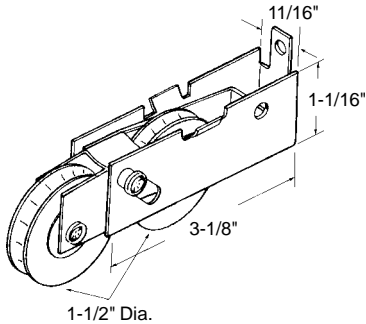
4-148

Housing: Steel

Wheel: Steel Ball Bearing

Unit: Each Bulk: 10 Pcs.

Used By: Ador/HiLite



Sliding Glass Door Roller

Part Number

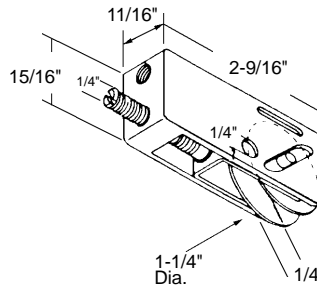
4-152

Housing: Steel

Tandem Wheels: Steel Ball Bearing

Unit: Each Bulk: 10 Pcs.

Used By: Fleetwood



Sliding Glass Door Roller

Part Number

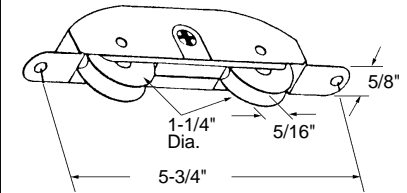
4-116

Housing: Die Cast

Wheel: Nylon Ball Bearing

Unit: Each Bulk: 10 Pcs.

Used By: Trimview



Sliding Glass Door Roller

Part Number

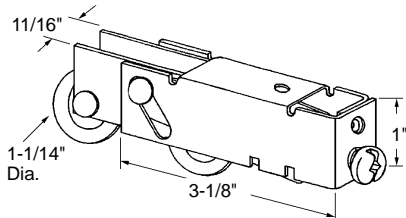
4-120

Housing: Steel

Tandem Wheels: Steel Ball Bearing

Unit: Each Bulk: 20 Pcs.

Manufactured by: Truth



Sliding Glass Door Roller

Part Number

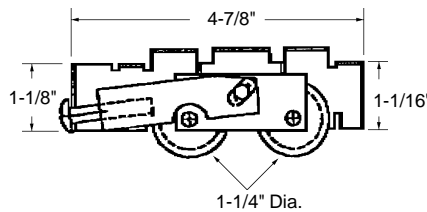
4-176

Housing: Steel

Tandem Wheels: Steel Ball Bearing

Unit: Each Bulk: 10 Pcs.

Used By: Several Manufacturers



Sliding Glass Door Roller

Part Number

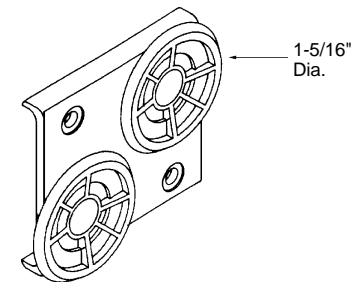
4-121

Housing: Steel

Tandem Wheels: Nylon Ball Bearing

Unit: Each Bulk: 10 Pcs.

Used By: P.H. Tech



Sliding Glass Door Roller

Part Number

4-175

Bracket: Nylon

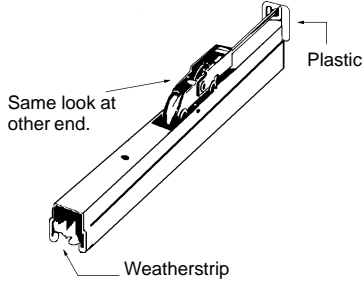
Wheels: Nylon

Unit: Each Bulk: 10 Pcs.

Used By: Peachtree

SLIDING GLASS DOOR HARDWARE

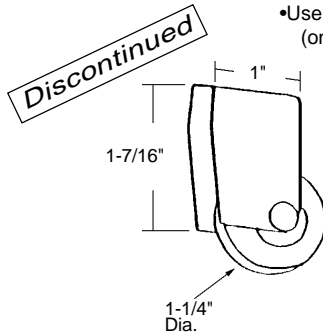
•c/w two tandem roller assemblies.



Sliding Glass Door Roller Assembly

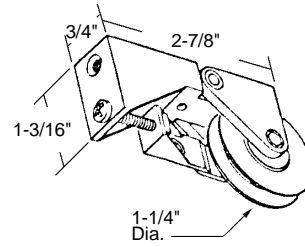
Part Number	Length
4-157	38-1/8"
4-157A	50-1/8"
Housing: Die Cast	
Tandem Wheels: Steel Ball Bearing	
Unit: Each	Bulk: 5 Pcs.
Used By: Pella Hunt	

•Use roller 4-105 (on this page).



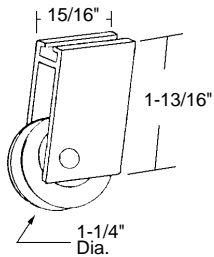
Sliding Glass Door Roller

Part Number
4-122
Housing: Steel
Wheel: Steel Ball Bearing
Unit: N/A
Used By: Cana



Sliding Glass Door Roller

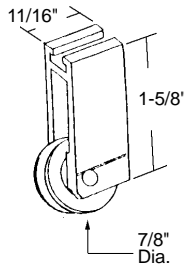
Part Number	
4-102	
Housing: Die Cast	
Wheel: Steel Ball Bearing	
Unit: Each	Bulk: 50 Pcs.
Used By: Several Manufacturers	



Sliding Glass Door Roller

Part Number	
4-105	
Housing: Aluminum	
Wheel: Steel Ball Bearing	
Unit: Each	Bulk: 10 Pcs.
Used By: Several Manufacturers	

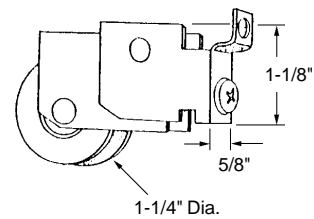
•Wheel available separate, 4-108 (page 4-7).



Sliding Glass Door Roller

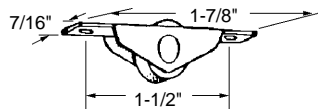
Part Number	
4-109	
Housing: Aluminum	
Wheel: Nylon Ball Bearing	
Unit: Each	Bulk: 10 Pcs.
Used By: Several Manufacturers	

•Can be used in place of 4-100 (page 4-2).



Sliding Glass Door Roller

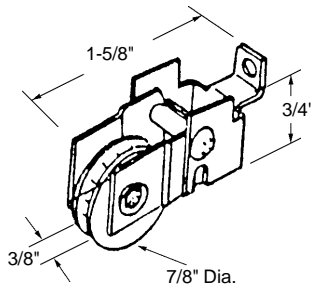
Part Number	
4-115	
Housing: Steel	
Wheel: Steel Ball Bearing	
Unit: Each	Bulk: 20 Pcs.
Used By: Several Manufacturers	



Sliding Glass Door Roller

Part Number	
4-110	
Housing: Steel	
Wheel: Nylon (non-bearing type)	
Unit: Each	Bulk: 50 Pcs.
Used By: Several Manufacturers	

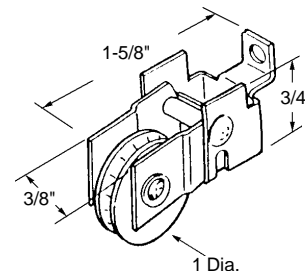
•Similar to 4-139.



Sliding Glass Door Roller

Part Number	
4-133	
Housing: Steel	
Wheel: Nylon Ball Bearing	
Unit: Each	Bulk: 50 Pcs.
Used By: Several Manufacturers	

•Similar to 4-133.

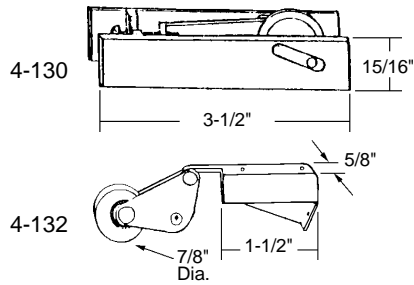


Sliding Glass Door Roller

Part Number	
4-139	
Housing: Steel	
Wheel: Steel Ball Bearing	
Unit: Each	Bulk: 20 Pcs.
Used By: Several Manufacturers	

SLIDING GLASS DOOR HARDWARE

•Replacement wheels available, 4-108 (page 4-7).



Sliding Glass Door Roller

Part Number

4-130

4-132

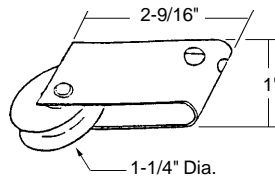
Housing: Aluminum

Wheel: Nylon Ball Bearing

Unit: N/A

Used By: Several Manufacturers

Discontinued



Sliding Glass Door Roller

Part Number

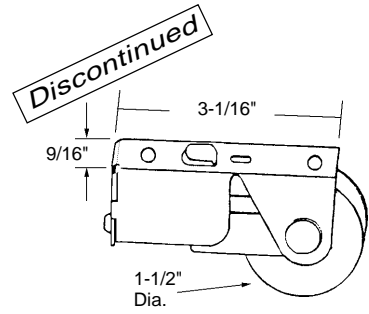
4-136

Housing: Steel

Wheel: Steel Ball Bearing

Unit: Each Bulk: 10 Pcs.

Used By: Several Manufacturers



Sliding Glass Door Roller

Part Number

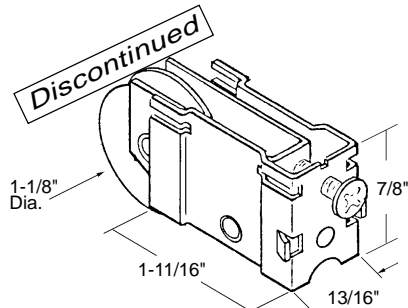
4-138

Housing: Steel

Wheel: Nylon

Unit: N/A

Used By: Several Manufacturers



Sliding Glass Door Roller

Part Number

4-142

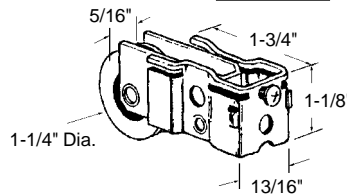
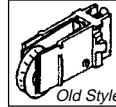
Housing: Steel

Wheel: Steel Ball Bearing

Unit: N/A

Used By: Several Manufacturers

•Adjustable housing assembly.



Sliding Glass Door Roller

Part Number

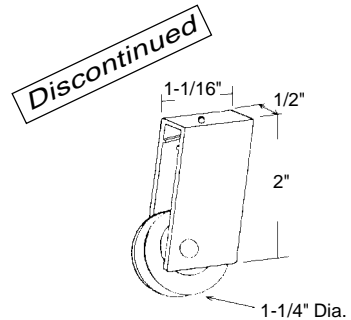
4-164

Housing: Steel

Wheel: Steel Ball Bearing

Unit: Each Bulk: 10 Pcs.

Used By: Several Manufacturers



Sliding Glass Door Roller

Part Number

4-166

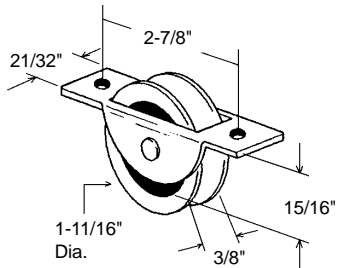
Housing: Aluminum

Wheel: Steel Ball Bearing

Unit: N/A

Used By: Several Manufacturers

•7/8" wide housing at bulbs.



Sliding Glass Door Roller

Part Number

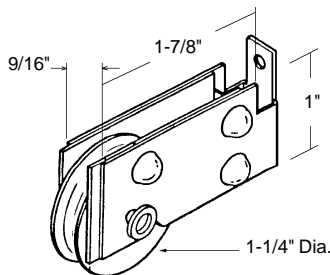
4-167

Housing: Aluminum

Wheel: Nylon Ball Bearing

Unit: Each Bulk: 10 Pcs.

Used By: Several Manufacturers



Sliding Glass Door Roller

Part Number

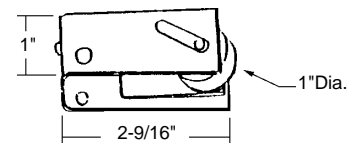
4-146

Housing: Steel

Wheel: Steel Ball Bearing

Unit: Each Bulk: 10 Pcs.

Used By: Several Manufacturers



Sliding Glass Door Roller

Part Number

4-131

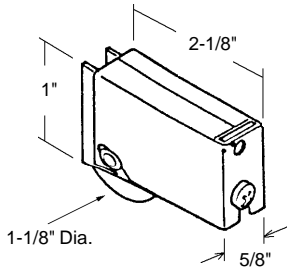
Housing: Steel

Wheel: Steel Ball Bearing

Unit: Each Bulk: 10 Pcs.

Used By: Several Manufacturers

SLIDING GLASS DOOR HARDWARE



Sliding Glass Door Roller

Part Number

4-149

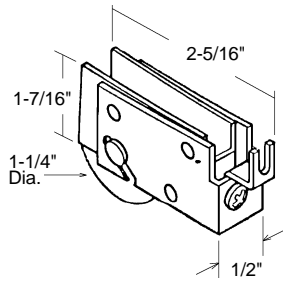
Housing: Steel

Wheel: Steel Ball Bearing

Unit: Each Bulk: 10 Pcs.

Used By: Several Manufacturers

•3/4" wide housing at bulbs.



Sliding Glass Door Roller

Part Number

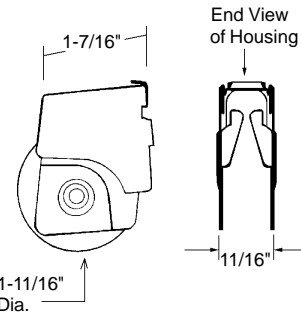
4-150

Housing: Steel

Wheel: Steel Ball Bearing

Unit: Each Bulk: 10 Pcs.

Used By: Several Manufacturers



Sliding Glass Door Roller

Part Number

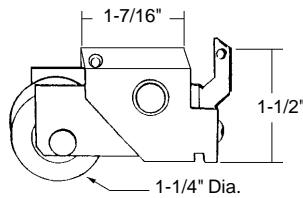
4-112

Housing: Steel

Wheel: Nylon Ball Bearing

Unit: Each Bulk: 10 Pcs.

Used By: Several Manufacturers



Sliding Glass Door Roller

Part Number

4-126

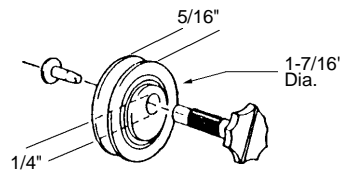
Housing: Steel

Wheel: Steel Ball Bearing

Unit: Each Bulk: 50 Pcs.

Used By: Several Manufacturers

•Off-centre hole.



Sliding Glass Door Roller

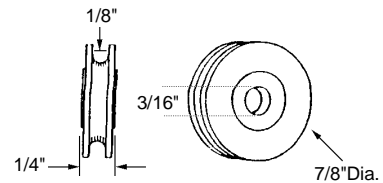
Part Number

4-123

Wheel: Nylon Ball Bearing

Unit: Each Bulk: 20 Pcs.

Used By: Ador-Hilite/Wescraft



Sliding Glass Door Roller

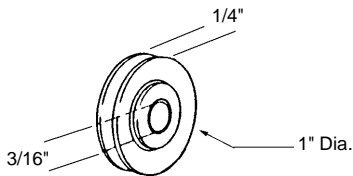
Part Number

4-108

Wheel: Nylon Ball Bearing

Unit: Each Bulk: 50 Pcs.

Used By: Several Manufacturers



Sliding Glass Door Roller

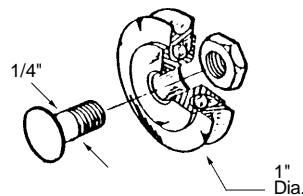
Part Number

4-155

Wheel: Steel Ball Bearing

Unit: Each Bulk: 50 Pcs.

Used By: Several Manufacturers



Sliding Glass Door Roller

Part Number

4-118

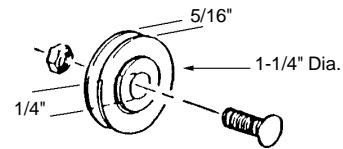
Wheel: Steel Ball Bearing

Unit: Each Bulk: 20 Pcs.

Used By: Several Manufacturers



•3/8" race thickness.



Sliding Glass Door Roller

Part Number

4-114

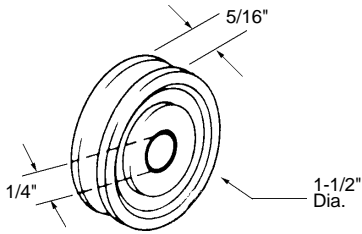
Wheel: Steel Ball Bearing

Unit: Each Bulk: 50 Pcs.

Used By: Several Manufacturers



SLIDING GLASS DOOR HARDWARE



Sliding Glass Door Roller

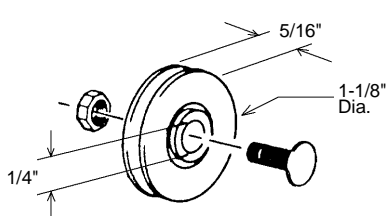
Part Number

4-143

Wheel: Nylon Ball Bearing

Unit: Each Bulk: 20 Pcs.

Used By: Several Manufacturers



Sliding Glass Door Roller

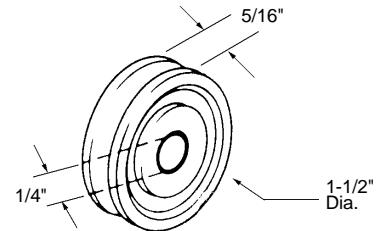
Part Number

4-158

Wheel: Steel Ball Bearing

Unit: Each Bulk: 20 Pcs.

Used By: Several Manufacturers



Sliding Glass Door Roller

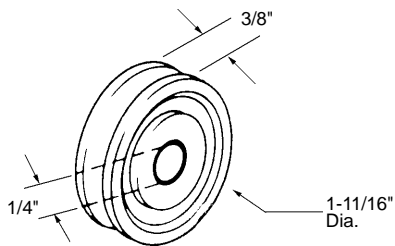
Part Number

4-113

Wheel: Steel Ball Bearing

Unit: Each Bulk: 50 Pcs.

Used By: Several Manufacturers



Sliding Glass Door Roller

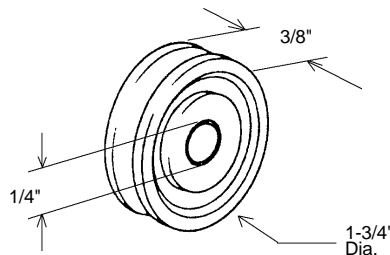
Part Number

4-137

Wheel: Nylon Ball Bearing

Unit: Each Bulk: 20 Pcs.

Used By: Several Manufacturers



Sliding Glass Door Roller

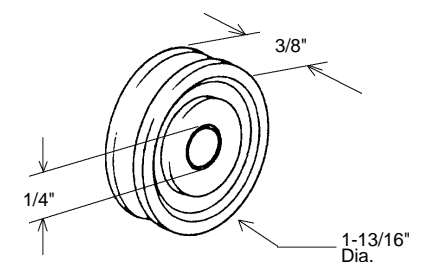
Part Number

4-159

Wheel: Nylon Ball Bearing

Unit: Each Bulk: 20 Pcs.

Used By: Several Manufacturers



Sliding Glass Door Roller

Part Number

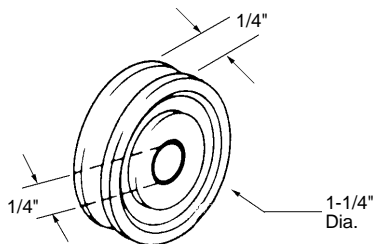
4-160

Wheel: Steel Ball Bearing

Unit: Each Bulk: 10 Pcs.

Used By: Several Manufacturers

•Narrow style.



Sliding Glass Door Roller

Part Number

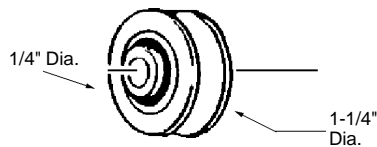
4-165

Wheel: Steel Ball Bearing

Unit: Each Bulk: 20 Pcs.

Used By: Several Manufacturers

•3/8" race thickness.



Sliding Glass Door Roller

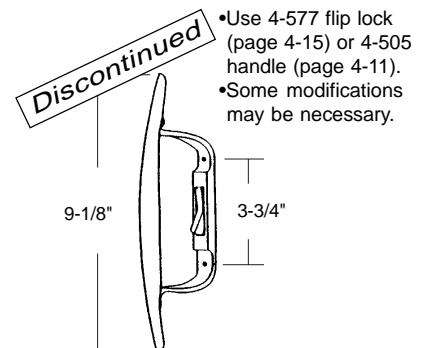
Part Number

4-153

Wheel: Nylon Ball Bearing

Unit: Each Bulk: 20 Pcs.

Used By: Several Manufacturers



Sliding Glass Door Handle

Part Number

507

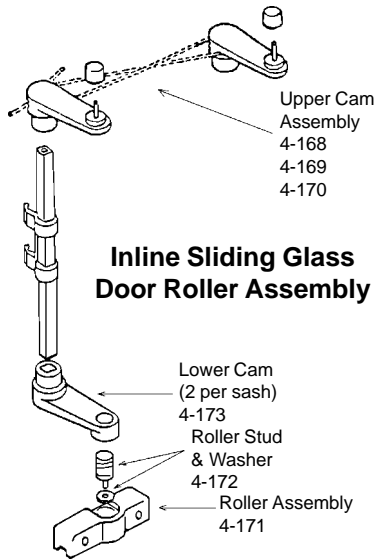
Material: Die Cast

Colour: Silver

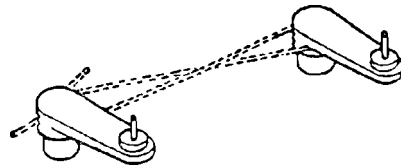
Unit: N/A

Used By: Ador/HiLite & Others

SLIDING GLASS DOOR HARDWARE



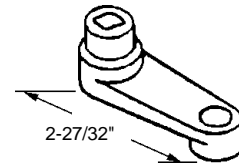
Inline Sliding Glass Door Roller Assembly



Sliding Glass Door Upper Cams and Cable

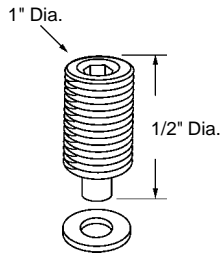
Part Number	Cable Length
4-168	5' Cable
4-169	6' Cable
4-170	8' Cable

Material: Metal
Colour: Brown
Unit: Each Bulk: 5 Pcs.
Used By: Inline



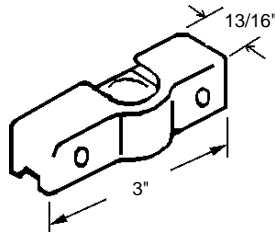
Sliding Glass Door Lower Cam

Part Number	4-173
Material: Metal	
Colour: Brown	
Unit: Each	Bulk: 10 Pcs.
Used By: Inline	



Sliding Glass Door Roller Stud and Washer

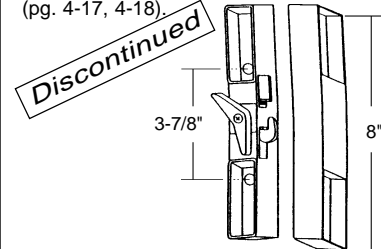
Part Number	4-172
Material: Metal	
Colour: Mill	
Unit: Each	Bulk: 20 Pcs.
Used By: Inline	



Sliding Glass Door Roller Assembly

Part Number	4-171
Housing: Metal	
Tandem Wheels: Steel Ball Bearing	
Unit: Each	Bulk: 10 Pcs.
Used By: Inline	

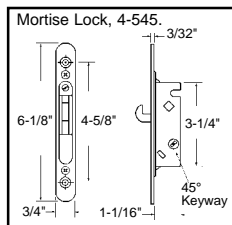
- Use 4-500 in its place. Holes will need re-drilling (page 4-12).
- Uses strikes 4-551 or 4-553 (pg. 4-17, 4-18).



Sliding Glass Door Handle

Part Number	4-503
Material: Plastic	
Colour: Black	
Unit: N/A	
Used By: Alcan	

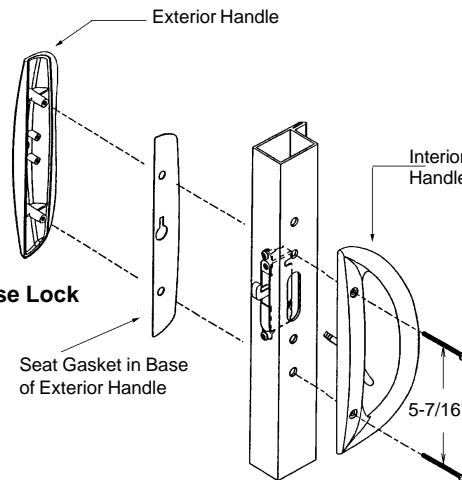
- Package includes: Exterior handle, interior handle, mortise lock and gasket.
- Mortise lock, 4-545 (page 4-16), is available separate.



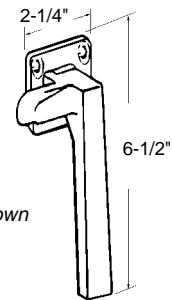
Sliding Glass Door Handle c/w Mortise Lock

Part Number	Type
4-546	No Key
4-546-K	Keyed

Material: Metal
Colour: White
Unit: Set Bulk: 5 Sets
Used By: Several Manufacturers



- White handles have been discontinued.



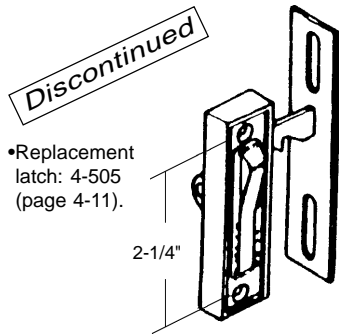
Right Hand Shown

Sliding Glass Door Locking Handle

Part Number	Hand	Colour
4-598L	Left	Brown
4-598R	Right	Brown
4-598LW	Left	White
4-598RW	Right	White

Material: Die Cast
Unit: Each Bulk: 5 Pcs.
Used By: Inline

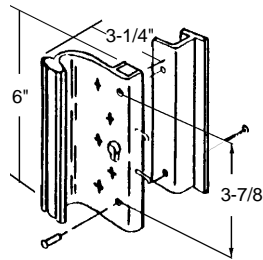
SLIDING GLASS DOOR HARDWARE



•Replacement latch: 4-505 (page 4-11).

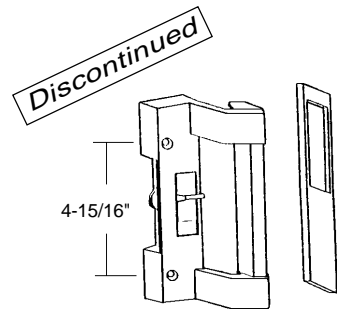
Sliding Glass Door Handle

Part Number
513
Material: Plastic
Colour: Black
Unit: N/A
Used By: Ador



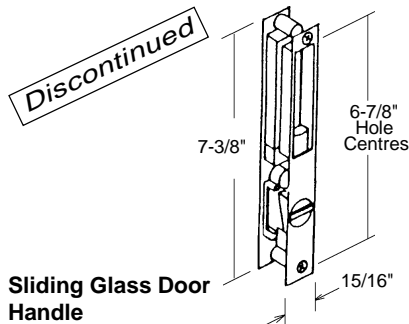
Sliding Glass Door Handle

Part Number	Finish
4-509	Painted Bronze
4-509-AL	Aluminum
Material: Aluminum	
Unit: Each	Bulk: 5 Pcs.
Used By: Ador/HiLite	



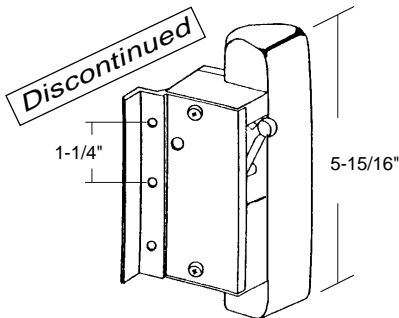
Sliding Glass Door Handle

Part Number	Colour
4-530-B	Brown
4-530-W	White
Material: Die Cast	
Unit: N/A	
Used By: Several Manufacturers	



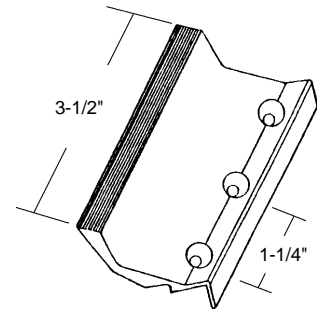
Sliding Glass Door Handle

Part Number	Type
4-519	No Key
4-519K	Keyed
Material: Aluminum	
Finish: Painted Silver	
Unit: N/A	
Used By: Daryl	



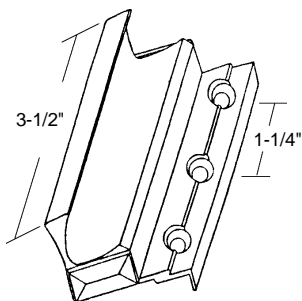
Sliding Glass Door Handle

Part Number
4-529
Material: Metal
Finish: Painted White/Chrome Pull
Unit: N/A
Used By: Solaris



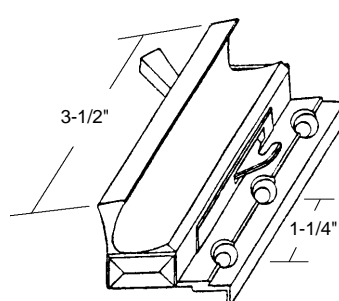
Sliding Glass Door Handle

Part Number
4-526
Material: Metal
Finish: Painted White
Unit: Each Bulk: 10 Pcs.
Used By: Solaris



Sliding Glass Door Handle

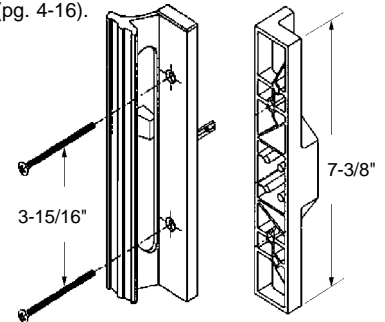
Part Number
4-527
Material: Metal
Finish: Painted White
Unit: Each Bulk: 10 Pcs.
Used By: Solaris



Sliding Glass Door Handle

Part Number
4-528
Material: Metal
Finish: Painted White
Unit: Each Bulk: 5 Pcs.
Used By: Solaris

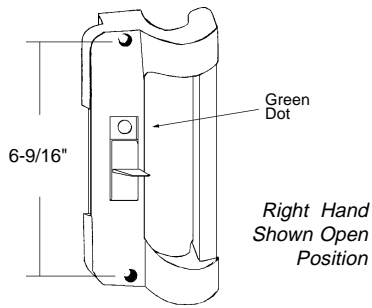
•Latch and keeper sold separately, 4-596 (pg. 4-16).



Sliding Glass Door Handle

Part Number
4-502
Material: Plastic
Colour: Black
Unit: Set Bulk: 5 Sets
Used By: P.H. Tech

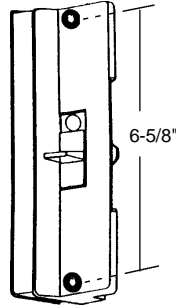
SLIDING GLASS DOOR HARDWARE



Sliding Glass Door Handle

Part Number	Hand
4-541L	Left
4-541R	Right
Material: Die Cast	
Colour: White	
Unit: Set	Bulk: 10 Pcs.
Used By: Several Manufacturers	

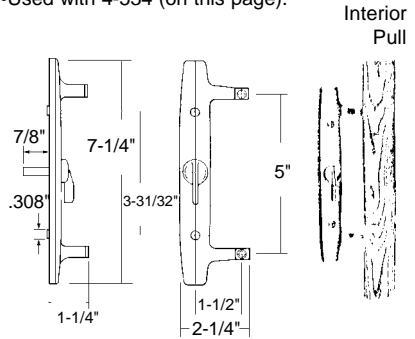
Discontinued



Sliding Glass Door Handle

Part Number	Hand	Colour
4-513		Silver
Material: Die Cast		
Colour: Silver		
Unit: N/A		
Used By: Several Manufacturers		

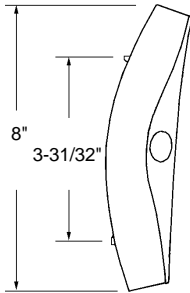
•Used with 4-534 (on this page).



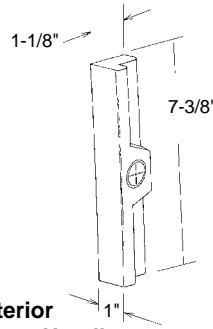
Sliding Glass Door Handle

Part Number	Colour
4-533	Black
Material: Metal with Wood Handle	
Unit: Each	Bulk: 10 Pcs.
Used By: Pella-Hunt & Other Mfgs.	

•Used with 4-533 (on this page).

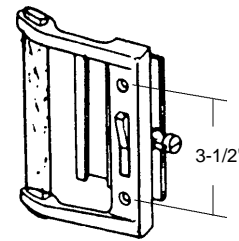


•Brass mounting studs 4-15/16" ϕ to ϕ .



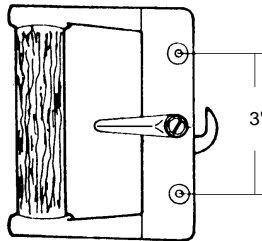
High Profile Exterior Sliding Glass Door Handle

Part Number	Hand	Colour
4-587		Black
Material: Plastic		
Colour: Black		
Unit: Set	Bulk: 10 Pcs.	
Used By: Indal/Wescraft		



Sliding Glass Door Handle

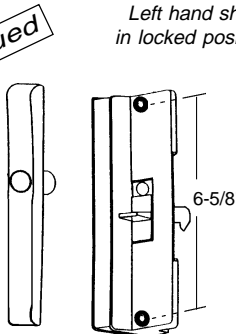
Part Number	Hand	Colour
4-505		Mill
Material: Wood Handle/Die Cast Housing		
Finish: Mill		
Unit: Each	Bulk: 10 Pcs.	
Used By: Trimview		



Sliding Glass Door Handle

Part Number	Hand	Colour
4-543		Silver (White)
Material: Wood Handle/Die Cast Housing		
Finish: Mill		
Unit: Set	Bulk: 10 Pcs.	
Used By: Fullview		

Discontinued

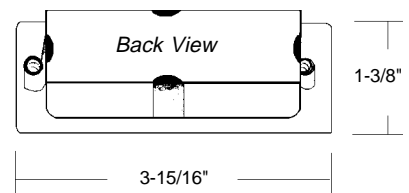


Sliding Glass Door Handle

Part Number	Hand	Colour
4-504L(W)	Left	Silver (White)
4-504R(W)	Right	Silver (White)
Material: Die Cast		
Unit: N/A		
Used By: Custom/Mason		

Left hand shown in locked position.

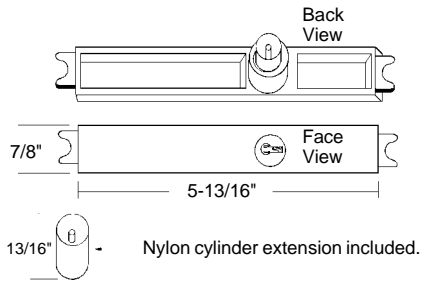
•Mounting holes: 3-1/2" ϕ to ϕ .
•No exposed screw mounting.
•Mortise cut-out 1-1/8" x 3-3/4".



Sliding Glass Door Handle

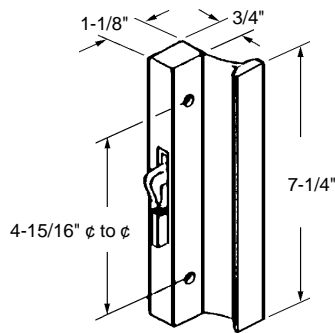
Part Number	Hand	Colour
4-156		Satin Silver
Material: Die Cast		
Finish: Satin Silver		
Unit: Each	Bulk: 5 Pcs.	
Used By: Indal		

SLIDING GLASS DOOR HARDWARE



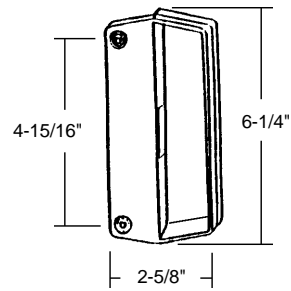
Sliding Glass Door Exterior Handle

Part Number Type
4-591 **Keyed**
 Material: Metal
 Finish: Satin Silver
 Unit: Set Bulk: 10 Sets
 Used By: Indal



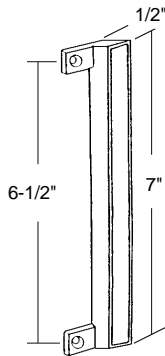
Sliding Glass Door Handle

Part Number Type
4-500 
 Material: Plastic
 Colour: Black
 Unit: Each Bulk: 20 Pcs.
 Used By: Several Manufacturers



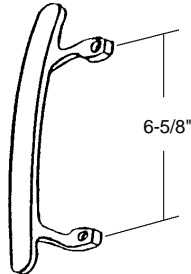
Sliding Glass Door Pull

Part Number
4-500A
 Material: Plastic
 Colour: Black
 Unit: Each Bulk: 20 Pcs.
 Used By: Several Manufacturers



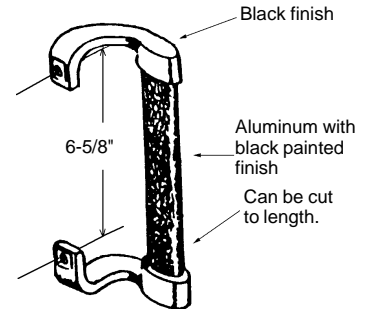
Sliding Glass Door Handle

Part Number
4-512
 Material: Die Cast
 Colour: Black
 Unit: Each Bulk: 10 Pcs.
 Used By: Several Manufacturers




Sliding Glass Door Pull

Part Number
4-510
 Material: Metal
 Finish: Chrome
 Unit: Each Bulk: 10 Pcs.
 Used By: Several Manufacturers

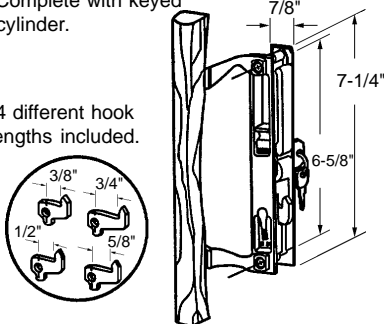


Sliding Glass Door Handle

Part Number Type
4-508 
 Material: Aluminum
 Colour: Black
 Unit: Each Bulk: 20 Pcs.
 Used By: Several Manufacturers

- Fits most popular flush lock cut-outs.
- Reversible for left or right hand doors.
- Complete with keyed cylinder.

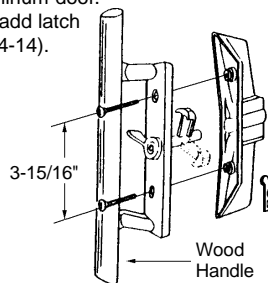
- 4 different hook lengths included.



Sliding Glass Door Handle

Part Number Colour
4-586B **Black**
 Material: Die Cast
 Unit: Each Bulk: 5 Pcs.
 Used By: Several Manufacturers

- Handle for aluminum door. For wood door add latch 4-520A (page 4-14).

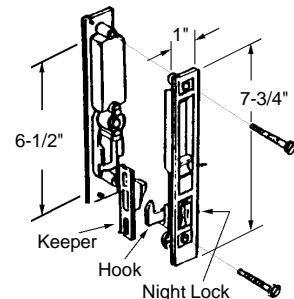


Sliding Glass Door Handle

Part Number	Type	Finish
4-520	No Key	Silver
4-520-BL	No Key	Black
4-520K*	Keyed	Silver

Material: Aluminum
 Unit: Set Bulk: 10 Sets *5 Sets
 Used By: Several Manufacturers

- Other hook options on page 4-22.

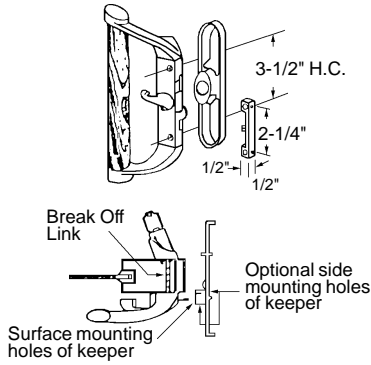


Sliding Glass Door Handle

Part Number	Type
4-501	No Key
4-501K	Keyed

Material: Metal
 Colour: Black
 Unit: Set Bulk: 10 Sets
 Used By: Several Manufacturers

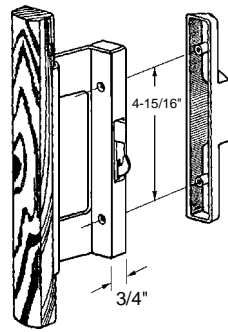
SLIDING GLASS DOOR HARDWARE



Sliding Glass Door Handle

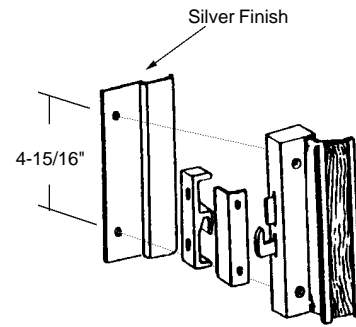
Part Number Type
4-544 **Keyed**
 Material: Die Cast with Wood Handle
 Colour: Grey
 Unit: Set Bulk: 5 Sets
 Used By: Several Manufacturers

- 1 inside pull.
- 1 outside pull.
- 1 set of fasteners.
- Keyable outside pull.



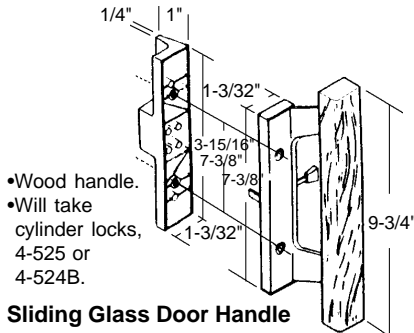
Sliding Glass Door Handle

Part Number Type
4-584 **Keyed**
 Material: Metal with Wood Handle
 Colour: Black
 Unit: Set Bulk: 5 Sets
 Used By: Several Manufacturers



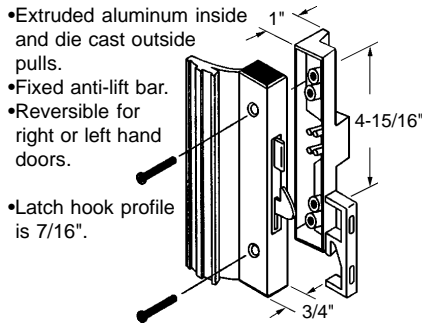
Sliding Glass Door Handle

Part Number Type
4-506 **Keyed**
 Material: Metal
 Finish: Aluminum
 Unit: Set Bulk: 10 Sets
 Used By: Several Manufacturers



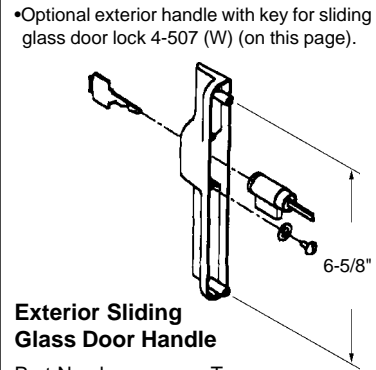
Sliding Glass Door Handle

Part Number Colour
4-521B **Brown**
4-521BL **Black**
4-521S **Silver**
 Material: Metal
 Unit: Set Bulk: 5 Sets
 Used By: Several Manufacturers



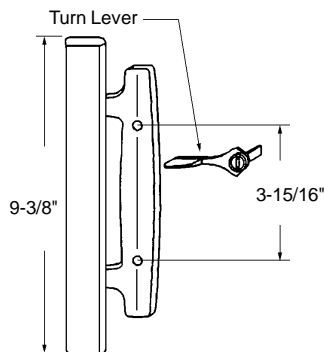
Sliding Glass Door Handle c/w Strike

Part Number Colour
4-585B **Black**
4-585W **White**
 Material: Aluminum/Die Cast
 Unit: Set Bulk: 5 Sets
 Used By: Several Manufacturers



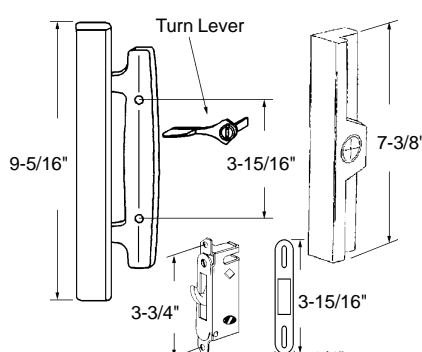
Exterior Sliding Glass Door Handle

Part Number Type
4-507-KP **Keyed**
 Material: Die Cast
 Colour: White
 Unit: Set Bulk: 5 Sets
 Used By: Several Manufacturers



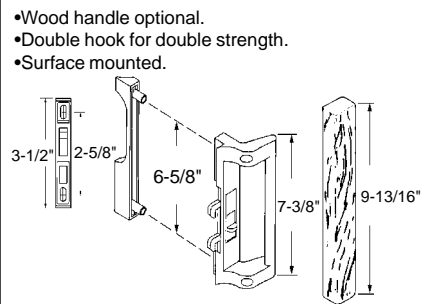
Sliding Glass Door Handle

Part Number Type
4-581 **Keyed**
 Material: Metal
 Colour: Black
 Unit: Set Bulk: 5 Sets
 Used By: Several Manufacturers



Sliding Glass Door Handle

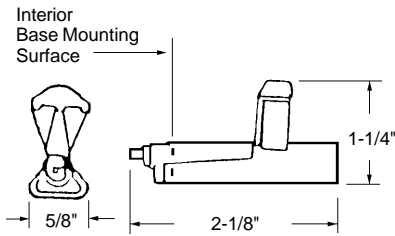
Part Number Type
4-561W **Keyed**
 Material: Metal
 Colour: White
 Unit: Set Bulk: 10 Sets
 Used By: Several Manufacturers



Sliding Glass Door Lock (Double Hook)

Part Number Type
4-507 **Without Wood Handle**
4-507W **With wood Handle**
 Material: Die Cast Zinc
 Colour: White
 Hand: Non-Handed
 Unit: Set Bulk: 10 Sets
 Used By: Several Manufacturers

SLIDING GLASS DOOR HARDWARE



Sliding Glass Door Latch

Part Number

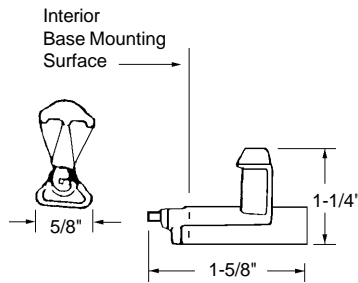
4-520A

Material: Die Cast

Unit: Each

Bulk: 10 Pcs.

Used By: Pella Hunt



Sliding Glass Door Latch

Part Number

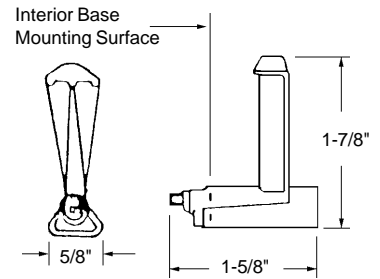
4-520B

Material: Die Cast

Unit: Each

Bulk: 10 Pcs.

Used By: Pella Hunt



Sliding Glass Door Latch

Part Number

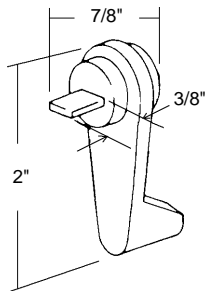
4-520C

Material: Die Cast

Unit: Each

Bulk: 10 Pcs.

Used By: Pella Hunt



Thumb Turn

Part Number

4-540

Material: Plastic with Steel Pin

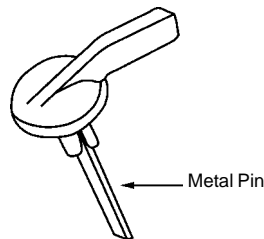
Colour: Black

Unit: Each

Bulk: 10 Pcs.

Used By: Arcadia

•Metal Pin: 1-3/8" x 7/32" x 1/16".



Thumb Turn — Mortise Type

Part Number

4-536

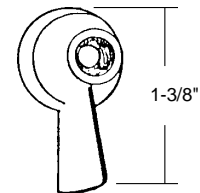
Material: Metal

Colour: Black

Unit: Each

Bulk: 10 Pcs.

Used By: Pella Hunt



Thumb Turn — Latch Type

Part Number

4-537

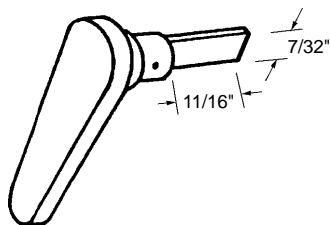
Material: Metal

Colour: Black

Unit: Each

Bulk: 10 Pcs.

Used By: Pella Hunt



Thumb Turn

Part Number

4-594

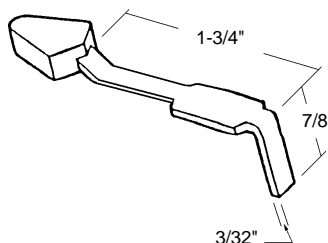
Material: Metal

Finish: Mill

Unit: Each

Bulk: 10 Pcs.

Used By: Indal



Sliding Glass Door Lock Lever

Part Number

4-573

Material: Steel

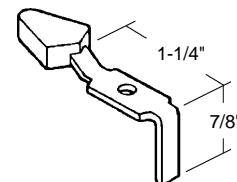
Finish: Mill

Unit: Each

Bulk: 10 Pcs.

Used By: Several Manufacturers

Discontinued •Use lock lever 4-573 (on this page).



Sliding Glass Door Lock Lever

Part Number

4-574

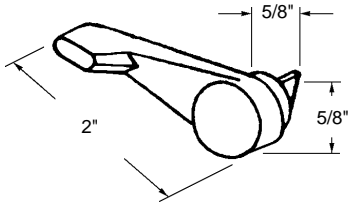
Material: Steel

Finish: Mill

Unit: N/A

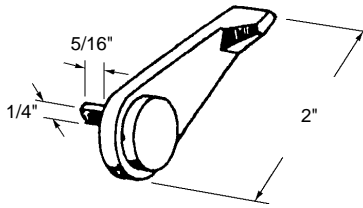
Used By: Adams Rite/Marshall

SLIDING GLASS DOOR HARDWARE



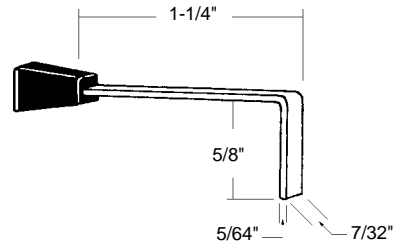
Sliding Glass Door Thumb Latch

Part Number
4-576
Material: Plastic with Steel Pin
Colour: Grey
Unit: Each Bulk: 10 Pcs.
Used By: Arcadia



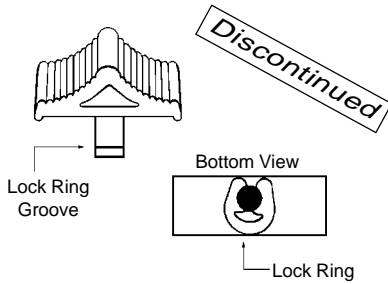
Sliding Glass Door Thumb Latch

Part Number
4-575
Material: Plastic/Steel
Colour: Black
Unit: Each Bulk: 10 Pcs.
Used By: Marshall



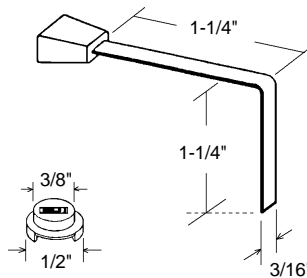
Sliding Glass Door Latch Lever

Part Number
4-572
Material: Steel/Plastic Knob
Finish: Mill/Black Knob
Unit: Each Bulk: 10 Pcs.
Used By: Premier



Sliding Glass Door Handle Thumb Latch c/w Lock Ring

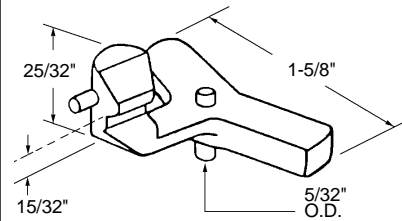
Part Number
4-588
Material: Plastic
Colour: Brown
Unit: N/A
Used By: Stanley/Custom



Sliding Glass Door Latch Lever

Part Number
4-595
Material: Steel/Plastic Knob
Finish: Mill/Black Knob
Unit: Each Bulk: 10 Pcs.
Used By: Several Manufacturers

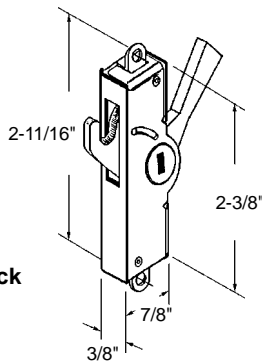
•Some modification of this flip lock may be necessary to work with handles 4-505, 4-507 and 4-513.



Flip Lock for Sliding Glass Door Handles 4-505, 4-507 and 4-513

Part Number
4-577
Material: Die Cast
Finish: Mill
Unit: Each Bulk: 10 Pcs.
Used By: Ador/HiLite/Trimview

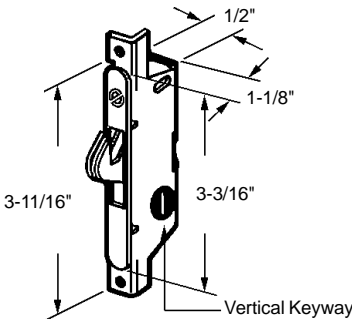
- Internal assembly of surface mounted patio door handle.
- 1 latch with steel housing and hook with black plastic lever.
- 1 set of installation screws.



Mortise Lock

Part Number
4-174
Material: Steel
Unit: Each Bulk: 10 Pcs.
Used By: Several Manufacturers

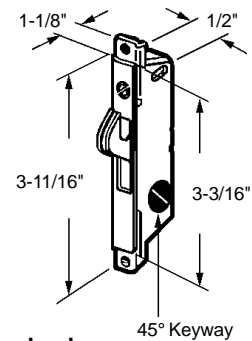
- Keyway is in vertical position when locked.
- Hook projection is adjustable.



Mortise Lock

Part Number
4-518
Material: Steel
Unit: Each Bulk: 5 Pcs.
Used By: Several Manufacturers

- Keyway is in the 45° position when locked.
- Hook projection is adjustable.

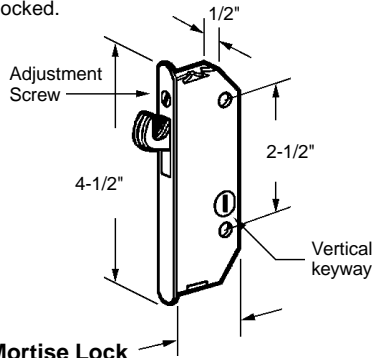


Mortise Lock

Part Number
4-517
Material: Steel
Unit: Each Bulk: 5 Pcs.
Used By: Several Manufacturers

SLIDING GLASS DOOR HARDWARE

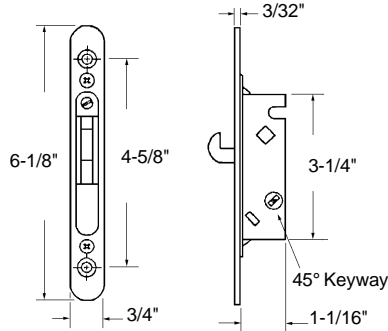
- Keyway is in the vertical position when locked.




Mortise Lock

Part Number Material
4-532 **Stainless Steel**
4-532-A **Steel**
 Unit: Each Bulk: 5 Pcs.
 Used By: Several Manufacturers

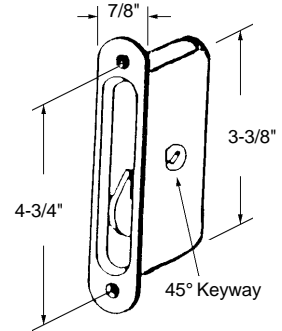
- Keyway is in the 45° position when locked.



Mortise Lock c/w Mounting Plate

Part Number 
4-545
 Material: Steel
 Unit: Each Bulk: 5 Pcs.
 Used By: Several Manufacturers

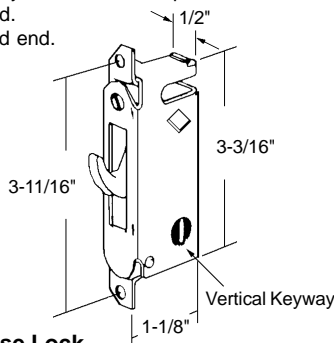
- Keyway is in the 45° position when locked.



Mortise Lock

Part Number
4-535
 Material: Die Cast
 Unit: Each Bulk: 10 Pcs.
 Used By: Willmar

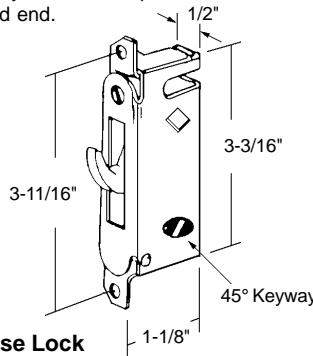
- Keyway is in the vertical position when locked.
- Round end.



Mortise Lock

Part Number
4-514
 Material: Steel
 Unit: Each Bulk: 5 Pcs.
 Used By: Several Manufacturers

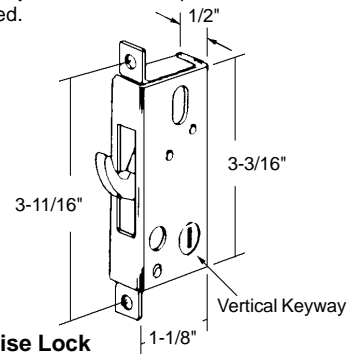
- Keyway is in the 45° position when locked.
- Round end.



Mortise Lock

Part Number
4-515
 Material: Steel
 Unit: Each Bulk: 5 Pcs.
 Used By: Several Manufacturers

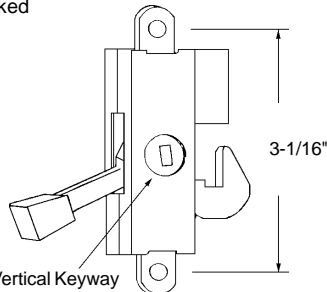
- Keyway is in the vertical position when locked.



Mortise Lock

Part Number
4-516
 Material: Steel
 Unit: Each Bulk: 5 Pcs.
 Used By: Several Manufacturers

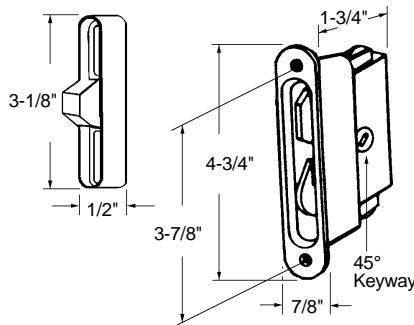
- Used with handle 4-506 (page 4-13).
- Keyway is in the vertical position when locked



Mortise Lock for Surface Mount Handle

Part Number
4-531
 Material: Aluminum
 Unit: Each Bulk: 10 Pcs.
 Used By: Several Manufacturers

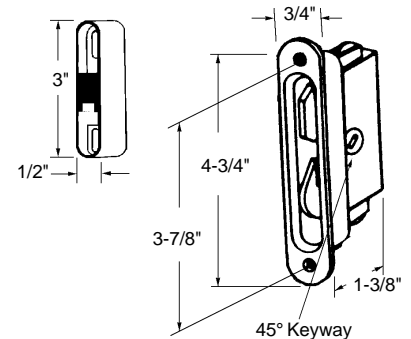
- Keyway is in the 45° position when locked.



Mortise Lock c/w Die Cast Strike

Part Number
4-596
 Material: Steel/Aluminum
 Unit: Set Bulk: 5 Sets
 Used By: Several Manufacturers

- Keyway is in the 45° position when locked.

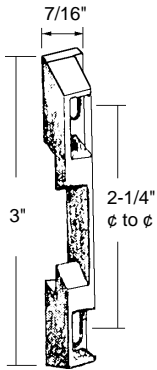


Mortise Lock c/w Die Cast Strike

Part Number
4-579
 Material: Steel/Aluminum
 Unit: Each Bulk: 10 Pcs.
 Used By: Several Manufacturers

SLIDING GLASS DOOR HARDWARE

•Use with 4-504L/R or 4-541 handle (page 4-11) .



Sliding Glass Door Strike

Part Number

4-550A

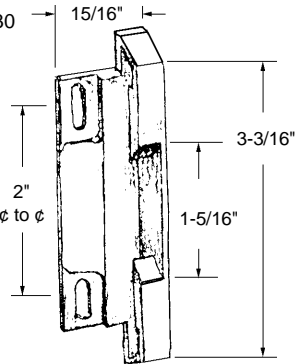
Material: Die Cast

Unit: Each

Bulk: 10 Pcs.

Used By: Alcan

•Use with 4-530 handle (page 4-13).



Sliding Glass Door Strike

Part Number

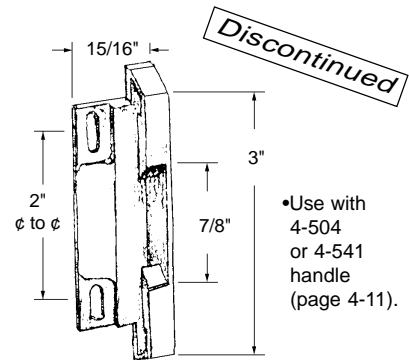
4-550B

Material: Die Cast

Unit: Each

Bulk: 10 Pcs.

Used By: Alcan



Sliding Glass Door Strike

Part Number

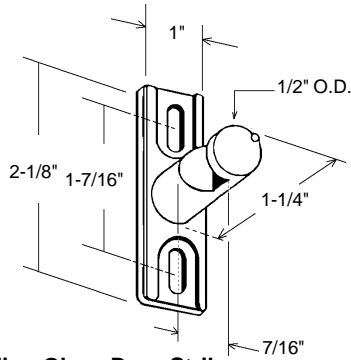
4-550C

Material: Die Cast

Unit: N/A

Used By: Alcan

•Use with 4-504 or 4-541 handle (page 4-11).



Sliding Glass Door Strike

Part Number

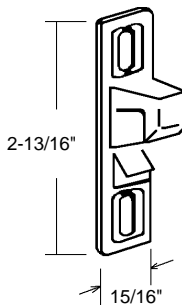
4-567

Material: Steel

Unit: Each

Bulk: 10 Pcs.

Used By: Capitol & Parlyn



Sliding Glass Door Strike

Part Number

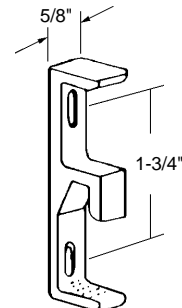
4-519S

Material: Die Cast

Unit: Each

Bulk: 5 Pcs.

Used By: Daryl



Sliding Glass Door Strike

Part Number

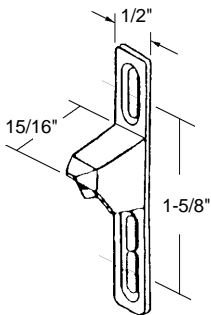
4-551

Material: Aluminum

Unit: Each

Bulk: 10 Pcs.

Used By: Indal/Custom/Supreme



Sliding Glass Door Strike

Part Number

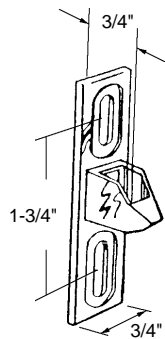
4-554A

Material: Die Cast

Unit: Each

Bulk: 10 Pcs.

Used By: Indal



Sliding Glass Door Strike

Part Number

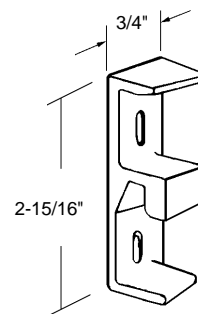
4-554B

Material: Die Cast

Unit: Each

Bulk: 10 Pcs.

Used By: Indal



Sliding Glass Door Strike

Part Number

4-551B

Material: Aluminum

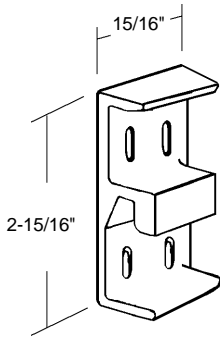
Finish: Bronze Anodized

Unit: Each

Bulk: 10 Pcs.

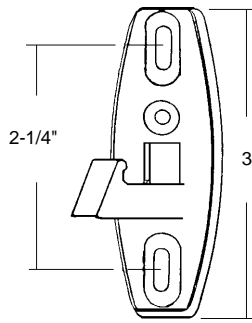
Used By: Indal

SLIDING GLASS DOOR HARDWARE



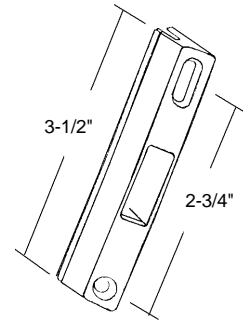
Sliding Glass Door Strike

Part Number
4-551C
 Material: Aluminum
 Unit: Each Bulk: 10 Pcs.
 Used By: Indal



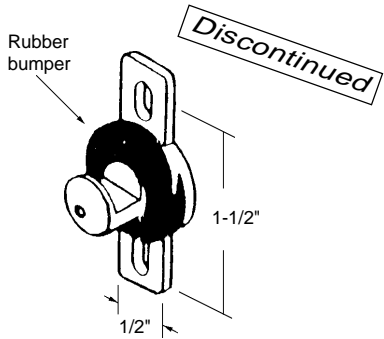
Sliding Glass Door Strike

Part Number
4-568
 Material: Die Cast
 Unit: Each Bulk: 10 Pcs.
 Used By: Pella Hunt



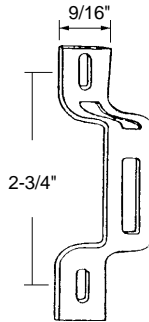
Sliding Glass Door Strike

Part Number
4-564
 Material: Aluminum
 Finish: Painted White
 Unit: Each Bulk: 10 Pcs.
 Used By: Solaris



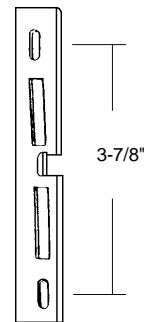
Sliding Glass Door Strike

Part Number
4-558
 Material: Die Cast
 Unit: N/A
 Used By: Trimview



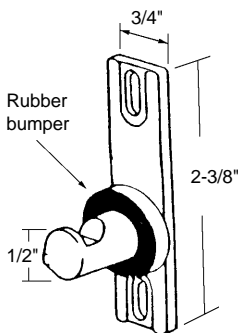
Sliding Glass Door Strike

Part Number
4-553
 Material: Steel
 Unit: Each Bulk: 10 Pcs.
 Used By: Several Manufacturers



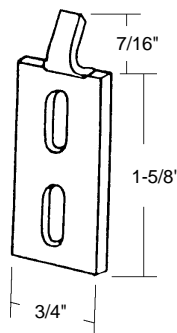
Sliding Glass Door Strike

Part Number
4-557
 Material: Steel
 Unit: Each Bulk: 10 Pcs.
 Used By: Several Manufacturers



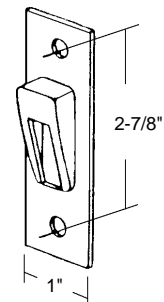
Sliding Glass Door Strike

Part Number
4-559
 Material: Die Cast
 Unit: Each Bulk: 10 Pcs.
 Used By: Several Manufacturers



Sliding Glass Door Strike

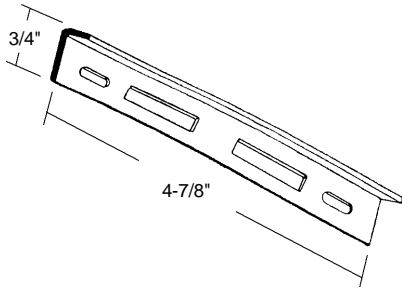
Part Number
4-560
 Material: Steel
 Unit: Each Bulk: 10 Pcs.
 Used By: Several Manufacturers



Sliding Glass Door Strike

Part Number
4-562
 Material: Steel
 Unit: Each Bulk: 10 Pcs.
 Used By: Several Manufacturers

SLIDING GLASS DOOR HARDWARE



Sliding Glass Door Strike

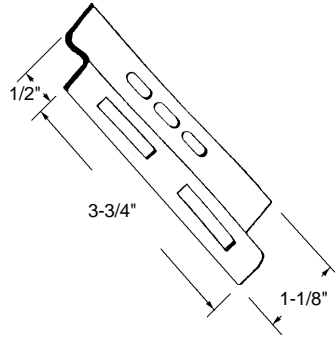
Part Number

4-566

Material: Steel

Unit: Each Bulk: 10 Pcs.

Used By: Several Manufacturers



Sliding Glass Door Strike

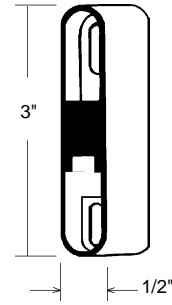
Part Number

4-565

Material: Steel

Unit: Each Bulk: 10 Pcs.

Used By: Several Manufacturers



Sliding Glass Door Strike

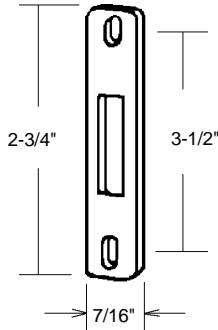
Part Number

4-580

Material: Die Cast

Unit: Each Bulk: 5 Pcs.

Used By: Several Manufacturers



Sliding Glass Door Strike

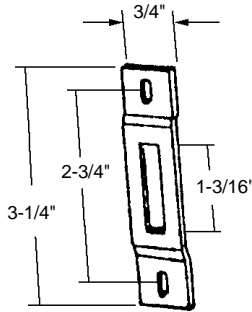
Part Number

4-563

Material: Steel

Unit: Each Bulk: 10 Pcs.

Used By: Several Manufacturers



Sliding Glass Door Strike

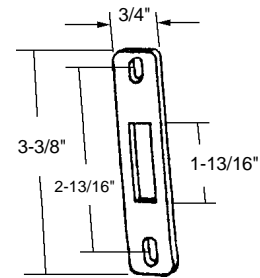
Part Number

4-570

Material: Steel

Unit: Each Bulk: 10 Pcs.

Used By: Several Manufacturers



Sliding Glass Door Strike

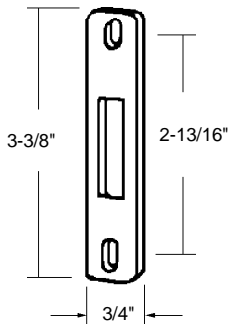
Part Number

4-571

Material: Steel

Unit: Each Bulk: 10 Pcs.

Used By: Several Manufacturers



Sliding Glass Door Strike

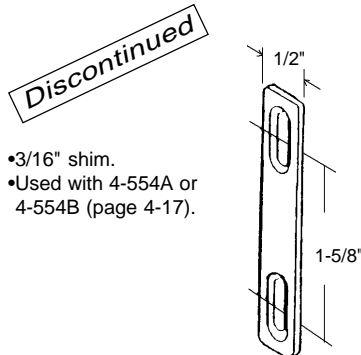
Part Number

4-563A

Material: Steel

Unit: Each Bulk: 10 Pcs.

Used By: Several Manufacturers



Sliding Glass Door Strike Shim

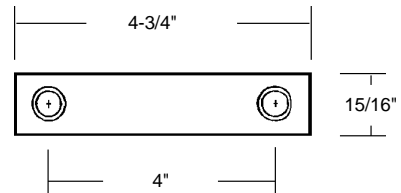
Part Number

4-554

Material: Die Cast

Unit: N/A

Used By: Several Manufacturers



Sliding Glass Door Shim

Part Number

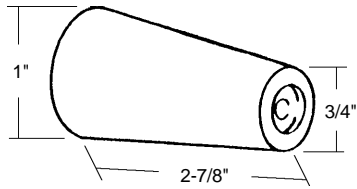
4-583

Material: Steel

Unit: Each Bulk: 10 Pcs.

Used By: Indal

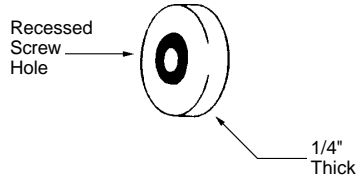
SLIDING GLASS DOOR HARDWARE



Sliding Glass Door Bumper

Part Number
4-522
 Material: Rubber
 Colour: Black
 Unit: Each Bulk: 10 Pcs.
 Used By: Custom Glass

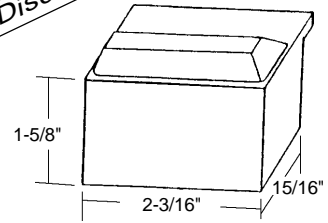
•7/8" Diameter



Sliding Glass Door Bumper

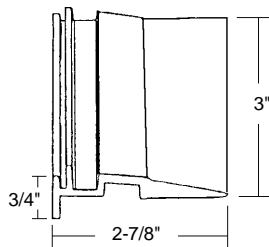
Part Number
4-582
 Material: Rubber
 Colour: Black
 Unit: Each Bulk: 10 Pcs.
 Used By: Custom Glass

Discontinued
 •Mounting holes:
 2-1/8" ϕ to ϕ .



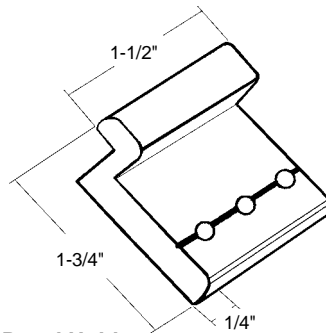
Sliding Glass Door Bumper

Part Number
4-523
 Material: Rubber Bumper/Plastic Base
 Colour: White
 Unit: Each Bulk: 10 Pcs.
 Used By: Several Manufacturers



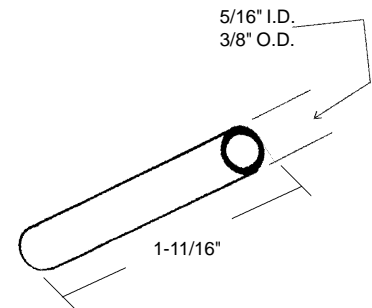
Fixed Panel Holder

Part Number
4-511
 Material: Extruded Rubber
 Colour: Black
 Unit: Each Bulk: 10 Pcs.
 Used By: Custom



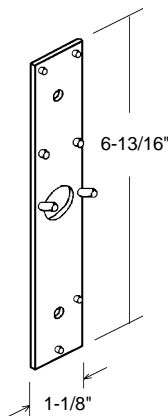
Fixed Panel Holder

Part Number
4-569
 Material: Aluminum
 Colour: White
 Unit: Each Bulk: 10 Pcs.
 Used By: Solaris



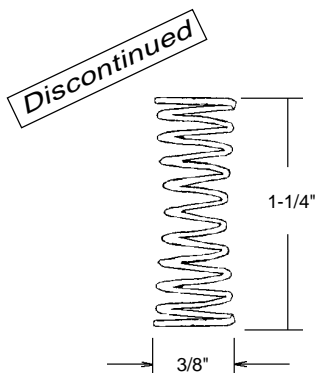
Wood Door Bushing

Part Number
4-538
 Material: Hollow Steel Tube
 Finish: Mill
 Unit: Each Bulk: 10 Pcs.
 Used By: Pella Hunt



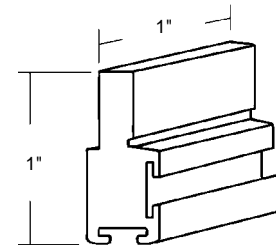
Sliding Glass Door Handle Mounting Plate/Spacer

Part Number
4-593
 Material: Steel
 Colour: Black
 Unit: Each Bulk: 10 Pcs.
 Used By: Indal



Spring

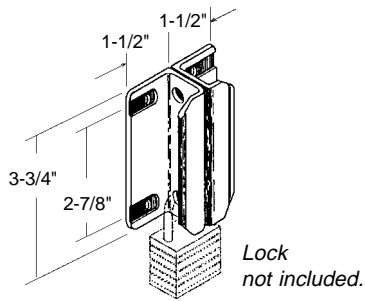
Part Number
4-592
 Material: Spring
 Unit: N/A
 Used By: Indal



Sliding Glass Door Glide

Part Number
4-163
 Material: Plastic
 Colour: White
 Unit: Each Bulk: 20 Pcs.
 Used By: Several Manufacturers

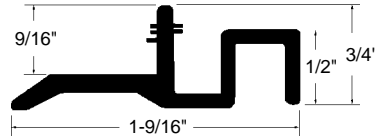
SLIDING GLASS DOOR HARDWARE



Sliding Glass Door Handle Set for Garden Shed

Part Number
4-578
Material: Plastic
Colour: Black
Unit: Set Bulk: 10 Sets
Used By: Several Manufacturers

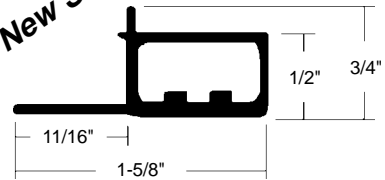
Old Style



Sliding Glass Door Interlock

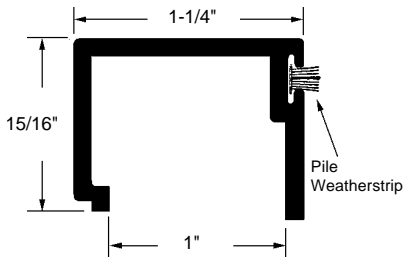
Part Number Colour
~~4-194B~~ ~~Brown~~ (Discontinued)
~~4-194W~~ ~~White~~ (Discontinued)
Material: Plastic
S/L: 78-1/2"
Unit: N/A
Used By: Peachtree

New Style



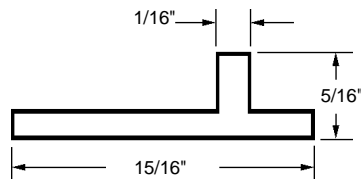
Sliding Glass Door Interlock

Part Number Colour
4-194B **Brown**
4-194W **White**
Material: Plastic
S/L: 78-1/2"
Unit: S/L Bulk: 5 Lengths
Used By: Peachtree



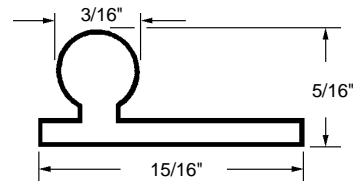
Sliding Glass Door Sill Stop c/w Pile Weatherstripping

Part Number
4-597
Material: Aluminum
Finish: Mill
Stock Length: 18'
Unit: Foot Bulk: 5 Ft.
Used By: Supreme



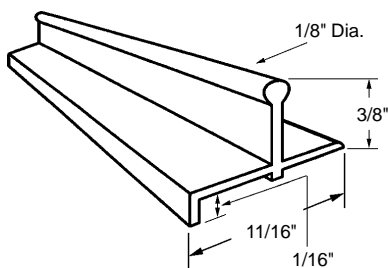
Sliding Screen & Glass Door Track

Part Number Length
4-195-6 **6 Ft.**
4-195-8 **8 Ft.**
Material: Anodized Aluminum
Finish: Mill
Unit: S/L Bulk: 10 S/L
Used By: Several Manufacturers



Sliding Screen & Glass Door Track

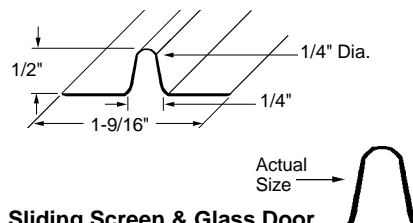
Part Number Length
4-196-6 **6 Ft.**
4-196-8 **8 Ft.**
Material: Anodized Aluminum
Finish: Mill
Unit: S/L Bulk: 10 S/L
Used By: Several Manufacturers



Sliding Screen & Glass Door Track

Part Number Length
4-193-6 **6 Ft.**
4-193-12 **12 Ft.**
Material: Extruded Aluminum
Finish: Mill
Unit: S/L Bulk: 10 S/L
Used By: Several Manufacturers

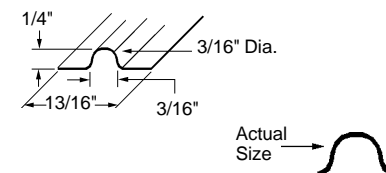
- Replaces damaged or worn track on glass or screen doors.
- Pop rivet or screw into place.
- Worn rollers should be replaced with track.



Sliding Screen & Glass Door Replacement Track

Part Number Length
4-198-6 **6 Ft.**
4-198-10 **10 Ft.**
Material: 24 Gauge Stainless Steel
Finish: Mill
Unit: S/L Bulk: 10 S/L
Used By: Several Manufacturers

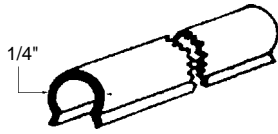
- Replaces damaged or worn track on glass or screen doors.
- Pop rivet or screw into place.
- Worn rollers should be replaced with track.



Sliding Screen & Glass Door Replacement Track

Part Number Length
4-199-6 **6 Ft.**
4-199-10 **10 Ft.**
Material: 24 Gauge Stainless Steel
Finish: Mill
Unit: S/L Bulk: 10 S/L
Used By: Several Manufacturers

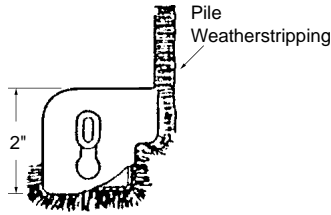
SLIDING GLASS DOOR HARDWARE



Bulb Sill Track Cover

Part Number Length
4-197-6 **6 Ft.**
4-197-8 **8 Ft.**
 Material: Stainless Steel
 Finish: Mill
 Unit: S/L Bulk: 10 S/L
 Used By: Several Manufacturers

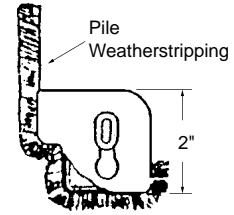
•Used on top of meeting rail of opening panel.



Sliding Glass Door Dust Blocker

Part Number
4-548
 Material: Plastic
 Colour: White
 Unit: Each Bulk: 5 Pcs.
 Used By: Solaris

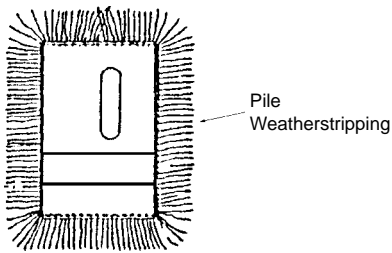
•Used on bottom of meeting rail of opening panel.



Sliding Glass Door Dust Blocker

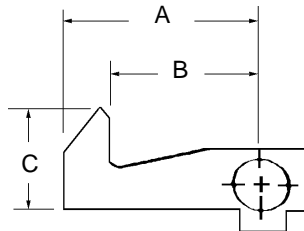
Part Number
4-549
 Material: Plastic
 Colour: White
 Unit: Each Bulk: 5 Pcs.
 Used By: Solaris

•Used on top of fixed panel.



Sliding Glass Door Dust Blocker

Part Number
4-547
 Material: Plastic
 Colour: White
 Size: 1-3/8" x 1-15/16"
 Unit: Each Bulk: 5 Pcs.
 Used By: Solaris

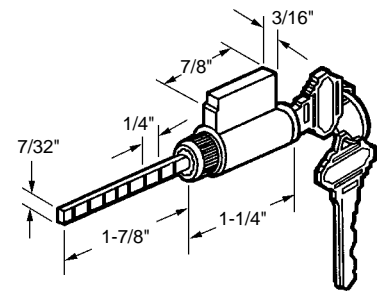


Optional Hooks for Sliding Glass Door Handle 4-501

Part Number	A	B	C
4-501-H1	1.110"	.800"	.720"
4-501-H2	.900"	.650"	.720"
4-501-H3	.890"	.550"	.720"
4-501-H4	.625"	.450"	.720"

Material: Steel
 Unit: Each Bulk: 10 Pcs.
 Used By: Several Manufacturers

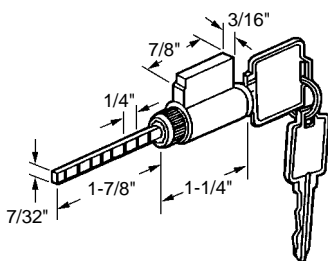
•Schlage "C" Keyway.



Sliding Glass Door Cylinder Lock

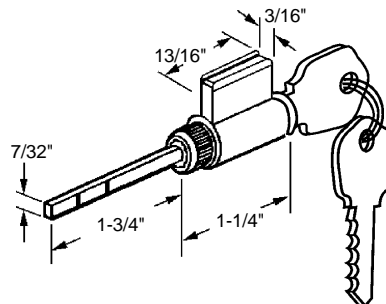
Part Number
4-525
 Unit: Each Bulk: 5 Pcs.
 Used By: Schlage

•5 Pin Tumbler
 •Weiser keyway re-keyable.



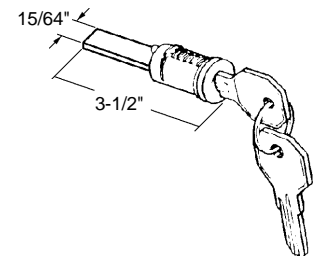
Sliding Glass Door Cylinder Lock

Part Number
4-524B
 Unit: Each Bulk: 5 Pcs.
 Used By: Several Manufacturers



Sliding Glass Door Cylinder Lock

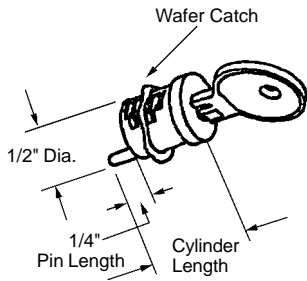
Part Number
4-524H
 Unit: Each Bulk: 5 Pcs.
 Used By: Several Manufacturers



Sliding Glass Door Cylinder Lock

Part Number
4-524SC
 Unit: Each Bulk: 5 Pcs.
 Used By: Pella Hunt

SLIDING GLASS DOOR HARDWARE

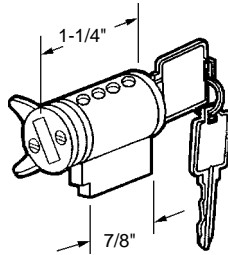


Sliding Glass Door Keyed Cylinders

Part Number	Cylinder Length
4-524	13/16"
4-524F	7/8"
4-524G	15/16" (Discontinued)
4-524L	1-1/4"

Unit: Each Bulk: 5 Pcs.
Used By: Several Manufacturers

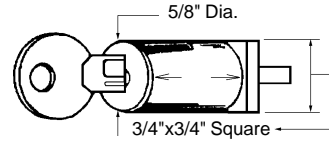
•5 Pin Brass Tumbler c/w 2 Keys.



Sliding Glass Door Lock

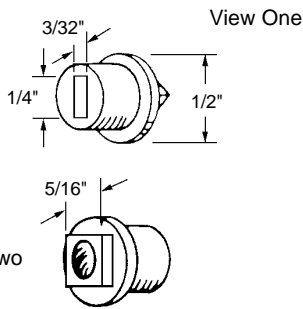
Part Number
4-524A
Unit: Each Bulk: 5 Pcs.
Used By: Several Manufacturers

•Use with handle 4-520 (page 4-12).



Sliding Glass Door Keyed Cylinder

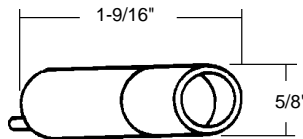
Part Number
4-524D
Unit: Each Bulk: 5 Pcs.
Used By: Several Manufacturers



Key Adapter

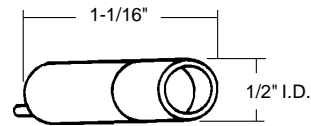
Part Number
4-524C
Unit: Each Bulk: 5 Pcs.
Used By: Several Manufacturers

Discontinued



Extension for 4-524 Cylinder

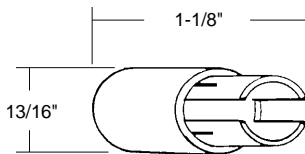
Part Number
4-524E
Material: Plastic
Unit: N/A
Used By: Several Manufacturers



Extension for 4-524 Cylinder

Part Number
4-524I
Material: Metal
Unit: Each Bulk: 10 Pcs.
Used By: Several Manufacturers

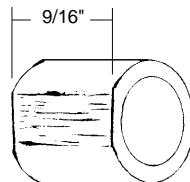
•Use with handle 4-534 (page 4-11).



Adapter Cylinder

Part Number
4-539
Material: Plastic
Unit: Each Bulk: 10 Pcs.
Used By: Pella Hunt

•Use with lock 4-524B (page 4-22).

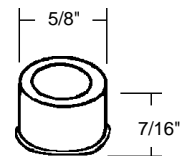


Cylinder Stabilizer

Part Number
4-542
Material: Nylon
Colour: White
Inside Diameter: 9/16"
Outside Diameter: 23/32"
Unit: Each Bulk: 10 Pcs.
Used By: Several Manufacturers

Cylinder Spacer

Part Number
4-589
Material: Plastic
Colour: White
Inside Diameter: 1/2"
Unit: Each Bulk: 10 Pcs.
Used By: Several Manufacturers



•Used with cylinder 4-524 (page 4-23).

Cylinder Washer

Part Number
4-590
Material: Plastic
Colour: White
Inside Diameter: 1/2"
Outside Diameter: 3/4"
Thickness: 1/16"
Unit: Each Bulk: 10 Pcs.
Used By: Several Manufacturers

