

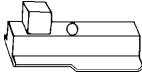
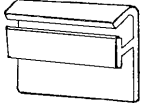
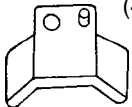
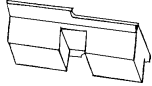
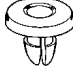
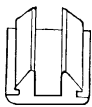
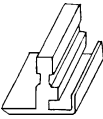
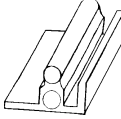

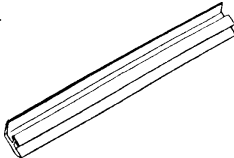
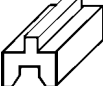
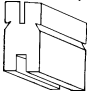
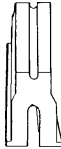
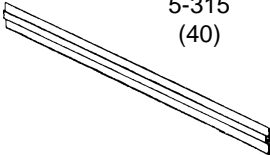
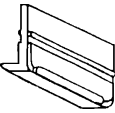

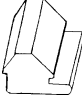
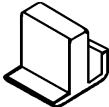
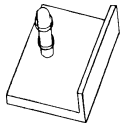
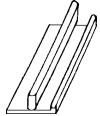
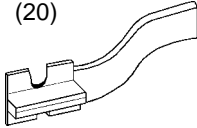
Service Kits	5-2 to 5-4
Window Glides	5-5 to 5-8
Window Tension Springs	5-9
Window Rollers	5-9 to 5-14
Window Corners	5-14 to 5-15
Window Clips	5-15 to 5-17
Window Locks	5-17 to 5-26
Window Sash Lifts	5-27
Window Holders	5-27
Window Stikes & Shims	5-27
Sash Balances & Guides	5-27 to 5-29
Plugs	5-29, 5-30
Window Bumpers	5-29
Window Lineals	5-30 to 5-40
C-Sash®	5-40

SERVICE KITS



Window Glides
Part No. 5-WGK

One of the largest replacement kits of its kind. 720 window glides will solve 90% of your glide replacement problems. Now it is easy to have a good assortment of the most popular window glides. Use on your sales counter, in your shop or take to the job. Reordering and identification is easy with a chart on the lid to identify the parts each kit contains.

 <p>5-306 (40)*</p>	 <p>5-303 (40)</p>		 <p>5-347 (40)</p>		
 <p>5-305 (40)</p>	 <p>5-312 (20)</p>	 <p>5-316 (20)</p>	 <p>5-323 (20)</p>	 <p>5-332 (40)</p>	 <p>5-351 (20)</p>
 <p>5-304 (40)</p>		 <p>5-483 (40)</p>	 <p>5-311 (40)</p>	 <p>5-309 (40)</p>	
 <p>5-315 (40)</p>		 <p>5-308 (40)</p>	 <p>5-327 (40)</p>	 <p>5-329 (40)</p>	 <p>5-469 (20)</p>
 <p>5-301 (40)</p>	 <p>5-307 (40)</p>		 <p>5-470 (20)</p>		

*Quantity in kit.

Take these kits to the job, use them in your shop or simply put one on your sales counter.
All Glass Parts Inc. can **custom** make any number of kits to suit your requirements.

SERVICE KITS



Window Locks
Part No. 5-WLK

Pre-sorted assortment of the most popular window locks. Each part identified for easy selection and reordering. This kit will solve most of your day to day replacement problems. Use on your sales counter, in your shop or take to the job. Phone or fax us toll free today and we will ship you your kit so you can put it to work immediately.

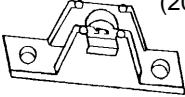
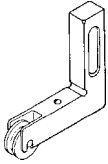
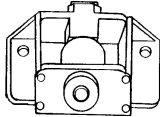
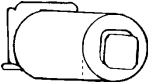
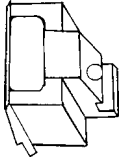
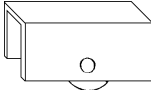
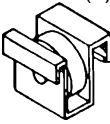

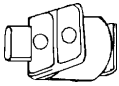
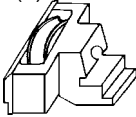

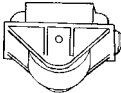
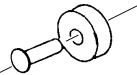
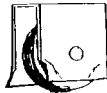

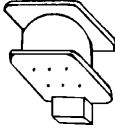
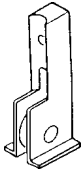
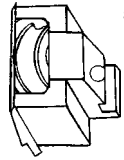
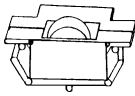
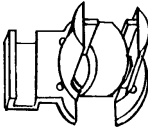
<p>5-409 (6)*</p>	<p>5-414L (10)</p>		<p>5-414R shown (10)</p>	<p>5-426L (6) 5-426R (6) shown</p>
<p>5-450 (2)</p>	<p>5-412 (20)</p>	<p>5-421 (3)</p>	<p>5-424L (2) 5-424R (3) shown</p>	
<p>5-407 (40)</p>	<p>5-410 (6)</p>	<p>5-412A (20)</p>	<p>5-407D (40)</p>	<p>5-453 (6)</p>
<p>5-403 (10)</p>	<p>5-411 (20)</p>	<p>5-418 (3)</p>		
<p>5-405 (6)</p>	<p>5-402 (10)</p>		<p>5-415 (5)</p>	

*Quantity in kit.

Take these kits to the job, use them in your shop or simply put one on your sales counter. All Glass Parts Inc. can **custom** make any number of kits to suit your requirements.

SLIDING WINDOW HARDWARE & LINEALS

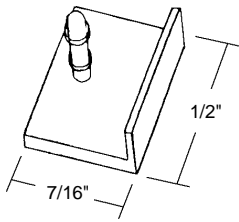


 <p>5-326 (20)*</p>	 <p>5-460 (4)</p>		 <p>5-343 (20)</p>		
 <p>5-325 (20)</p>	 <p>5-341 (20)</p>		 <p>5-335 (2)</p>	 <p>5-459 (6)</p>	 <p>13-979 (10)</p>
 <p>5-324 (20)</p>	 <p>5-340 (6)</p>	 <p>5-337 (20)</p>	 <p>5-349 (10)</p>	 <p>5-348 (20)</p>	 <p>5-433 (10)</p>
 <p>5-328 (4)</p>	 <p>5-336 (20)</p>		 <p>5-458 (4)</p>	 <p>5-338 (6)</p>	
 <p>5-300 (20)</p>				 <p>5-342 (10)</p>	

*Quantity in kit.

Take these kits to the job, use them in your shop or simply put one on your sales counter.
All Glass Parts Inc. can **custom** make any number of kits to suit your requirements.

SLIDING WINDOW HARDWARE & LINEALS



Sliding Window Glide

Part Number

5-301

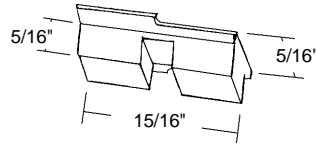
Material: Nylon

Unit: Each

Used By: Alcan



Bulk: 100 Pcs.



Sliding Window Glide

Part Number

5-305

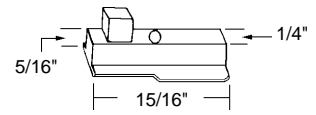
Material: Nylon

Unit: Each

Used By: Indal



Bulk: 100 Pcs.



Sliding Window Glide

Part Number

5-306

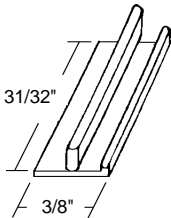
Material: Nylon

Unit: Each

Used By: Indal



Bulk: 100 Pcs.



Sliding Window Glide

Part Number

5-307

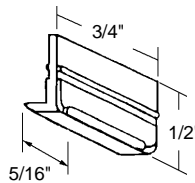
Material: Plastic

Unit: Each

Used By: Indal/W.A.P.



Bulk: 100 Pcs.



Sliding Window Glide

Part Number

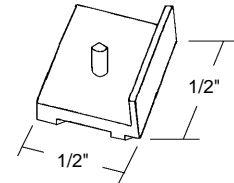
5-308

Material: Plastic

Unit: Each

Used By: Indal/W.A.P.

Bulk: 100 Pcs.



Sliding Window Glide

Part Number

5-481

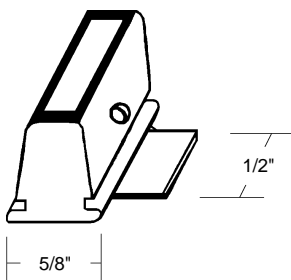
Material: Nylon

Unit: Each

Used By: Indal

Bulk: 100 Pcs.

- Wheel not included.
- Use with wheel 5-425 (page 5-12).



Sliding Window Housing/Glide

Part Number

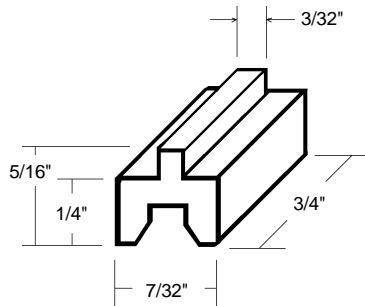
5-482

Material: Nylon

Unit: Each

Used By: Indal

Bulk: 100 Pcs.



Sliding Window Glide

Part Number

5-483

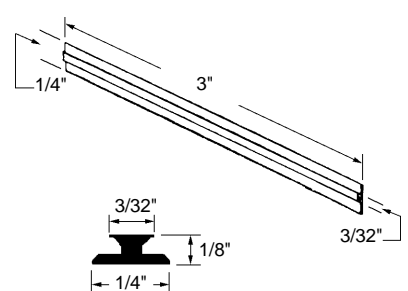
Material: Nylon

Unit: Each

Used By: B.L. Aluminum



Bulk: 100 Pcs.



Sliding Window Glide

Part Number

5-315

Material: Plastic

Unit: Each

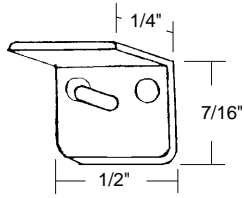
Used By: Award/Supreme

Bulk: 100 Pcs.



SLIDING WINDOW HARDWARE & LINEALS

•Used with glide 5-333 on this page.



Sliding Window Glide

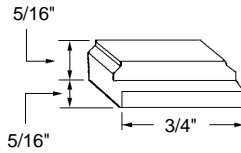
Part Number

5-322

Material: Nylon

Unit: Each Bulk: 50 Pcs.

Used By: Gienow



Sliding Window Glide

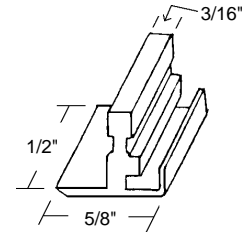
Part Number

5-313

Material: Nylon

Unit: Each Bulk: 50 Pcs.

Used By: Gienow



Sliding Window Glide

Part Number

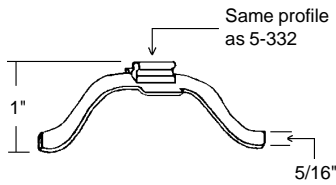
5-323

Material: Nylon

Unit: Each Bulk: 100 Pcs.

Used By: Gienow

•Will be discontinued when stock runs out.



Sliding Window Glide

Part Number

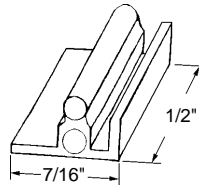
5-331

Material: Nylon

Unit: Each Bulk: 50 Pcs.

Used By: Gienow

•Used with glide 5-331 on this page.



Sliding Window Glide

Part Number

5-332

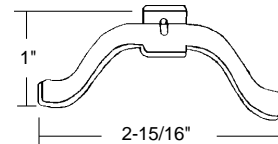
Material: Nylon

Unit: Each Bulk: 100

Used By: Gienow

Discontinued

•Used with glide 5-322 on this page.



Sliding Window Glide

Part Number

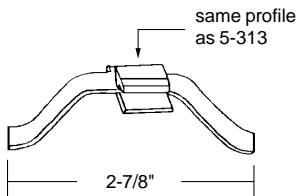
5-333

Material: Nylon

Unit: N/A

Used By: Gienow

•Will be discontinued when stock runs out.
•Used with glide 5-313 on this page.



Sliding Window Glide

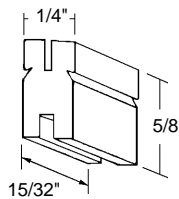
Part Number

5-334

Material: Nylon

Unit: Each Bulk: 100 Pcs.

Used By: Gienow



Sliding Window Glide

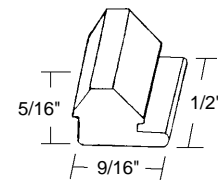
Part Number

5-311

Material: Nylon

Unit: Each Bulk: 100 Pcs.

Used By: Custom Glass



Sliding Window Glide

Part Number

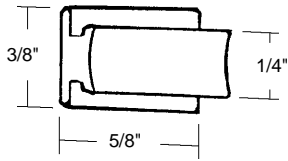
5-329

Material: Nylon

Unit: Each Bulk: 100 Pcs.

Used By: Hialco

SLIDING WINDOW HARDWARE & LINEALS



Sliding Window Glide

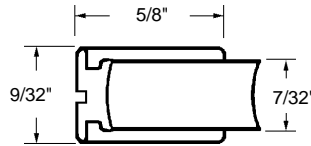
Part Number

5-327

Material: Nylon

Unit: Each Bulk: 100 Pcs.

Used By: P.H. Tech



Sliding Window Glide

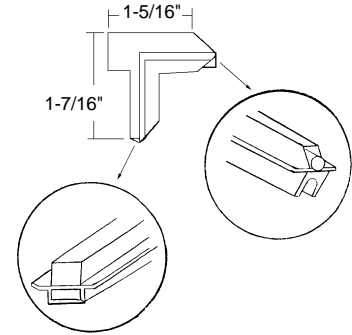
Part Number

5-360

Material: Nylon

Unit: Each Bulk: 100 Pcs.

Used By: P.H. Tech



Sliding Window Glide

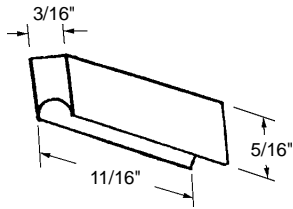
Part Number

5-352

Material: Nylon

Unit: Each Bulk: 100 Pcs.

Used By: B.L. Aluminum



Sliding Window Glide

Part Number

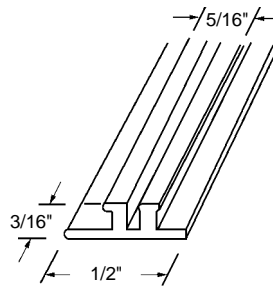
5-351

Material: Nylon

Unit: Each Bulk: 100 Pcs.

Used By: B.L. Aluminum

•2-1/2" lengths.



Sliding Window Glide

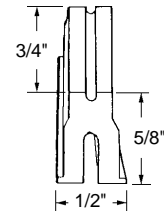
Part Number

5-355

Material: Plastic

Unit: Each Bulk: 100 Pcs.

Used By: Resource



Sliding Window Glide

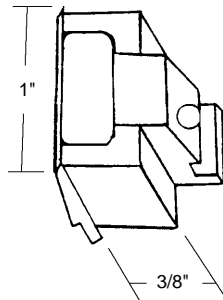
Part Number

5-309

Material: Plastic

Unit: Each Bulk: 100 Pcs.

Used By: Hialco



Sliding Window Glide

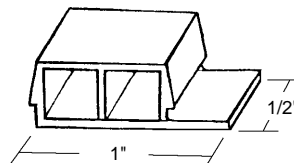
Part Number

5-341

Material: Nylon

Unit: Each Bulk: 100 Pcs.

Used By: Hialco



Sliding Window Glide

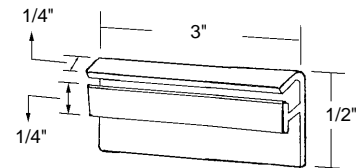
Part Number

5-339

Material: Nylon

Unit: Each Bulk: 50 Pcs.

Used By: Hialco



Sliding Window Glide

Part Number

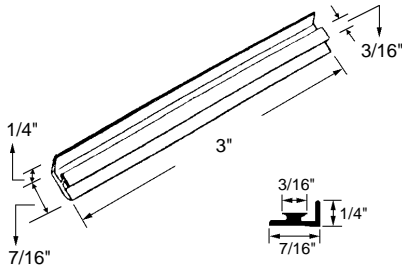
5-303

Material: Plastic

Unit: Each Bulk: 100 Pcs.

Used By: Several Manufacturers

SLIDING WINDOW HARDWARE & LINEALS



Sliding Window Glide

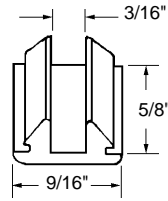
Part Number

5-304

Material: Plastic

Unit: Each Bulk: 100 Pcs.

Used By: Several Manufacturers



Sliding Window Glide

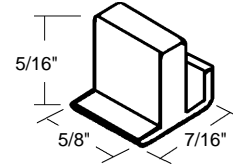
Part Number

5-316

Material: Plastic

Unit: Each Bulk: 100 Pcs.

Used By: Several Manufacturers



Sliding Window Glide

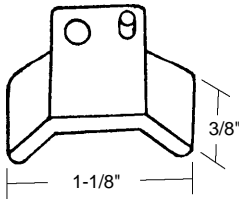
Part Number

5-469

Material: Nylon

Unit: Each Bulk: 50 Pcs.

Used By: Several Manufacturers



Sliding Window Glide

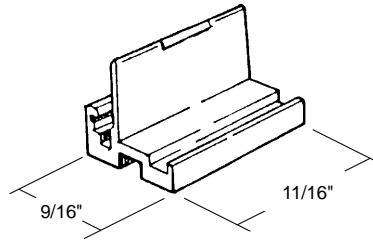
Part Number

5-347

Material: Nylon

Unit: Each Bulk: 100 Pcs.

Used By: Several Manufacturers



Sliding Window Glide

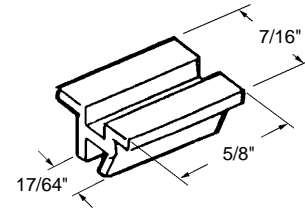
Part Number

5-461

Material: Nylon

Unit: Each Bulk: 100 Pcs.

Used By: Several Manufacturers



Sliding Window Glide

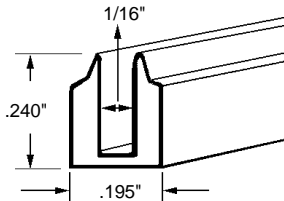
Part Number

5-462

Material: Plastic

Unit: Each Bulk: 100 Pcs.

Used By: Several Manufacturers



Sliding Window & Door Glide

Part Number

5-318

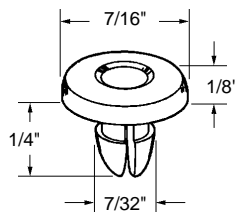
Material: Plastic

Stock Length: 12'

Unit: S/L Bulk: 10 S/L

Used By: Several Manufacturers

•Snap-in design.



Sliding Window Glide

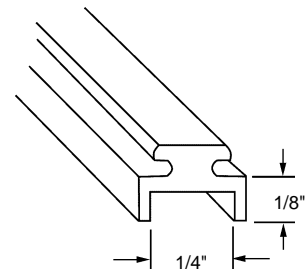
Part Number

5-312

Material: Nylon

Unit: Each Bulk: 50 Pcs.

Used By: Several Manufacturers



Glide Shoe

Part Number

5-496

Material: Plastic

Colour: White

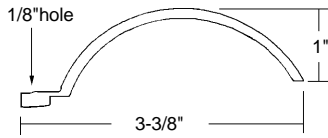
Stock Length: 10'

Unit: S/L Bulk: 20 S/L

Used By: Several Manufacturers

SLIDING WINDOW HARDWARE & LINEALS

Discontinued



Sliding Window Tension Spring

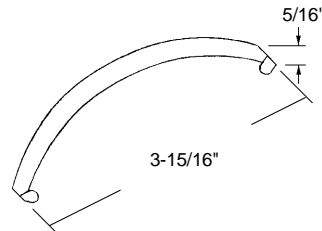
Part Number

5-350

Material: Nylon

Unit: N/A

Used By: Willmar



Sliding Window Tension Spring

Part Number

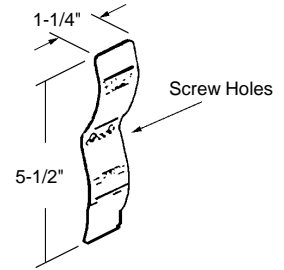
5-354

Material: Steel

Unit: Each

Bulk: 25 Pcs.

Used By: Andersen



Sliding Window Tension Spring

Part Number

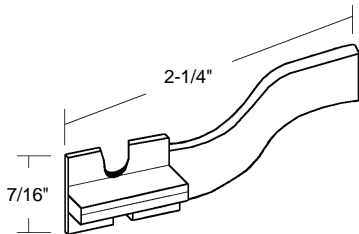
5-468

Material: Steel

Unit: Pair

Bulk: 25 Pair

Used By: Several Manufacturers



Sliding Window Glide Spring

Part Number

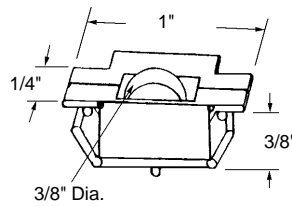
5-470

Material: Nylon

Unit: Each

Bulk: 100 Pcs.

Used By: Several Manufacturers



Sliding Window Roller

Part Number

5-300

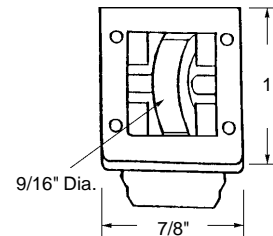
Housing: Nylon

Wheel: Nylon

Unit: Each

Bulk: 100 Pcs.

Used By: Alcan



Sliding Window Roller

Part Number

5-330

Housing: Nylon

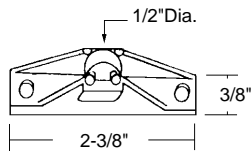
Wheel: Steel

Unit: Each

Bulk: 25 Pcs.

Used By: Alcan

Discontinued



Sliding Window Roller

Part Number

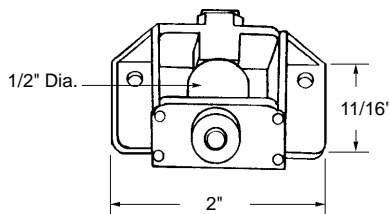
5-302

Housing: Nylon

Wheel: Nylon

Unit: N/A

Used By: Almetco



Sliding Window Roller

Part Number

5-343

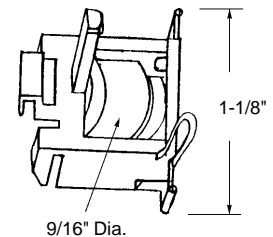
Housing: Plastic

Wheel: Plastic

Unit: Each

Bulk: 50 Pcs.

Used By: Almetco



Sliding Window Roller

Part Number

5-346

Housing: Nylon

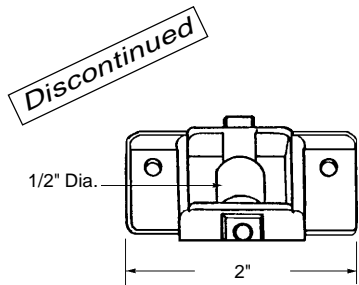
Wheel: Nylon

Unit: Each

Bulk: 100 Pcs.

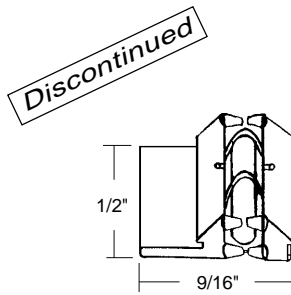
Used By: Almetco

SLIDING WINDOW HARDWARE & LINEALS



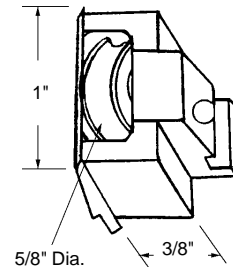
Sliding Window Roller

Part Number
5-344
 Housing: Plastic
 Wheel: Plastic
 Unit: N/A
 Used By: Almetco



Sliding Window Roller

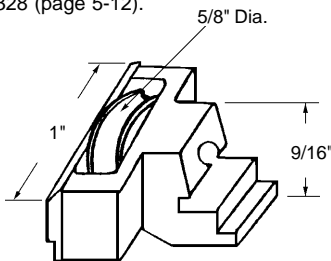
Part Number
5-345
 Housing: Nylon
 Wheel: Nylon
 Unit: N/A
 Used By: Almetco/Hialco



Sliding Window Roller

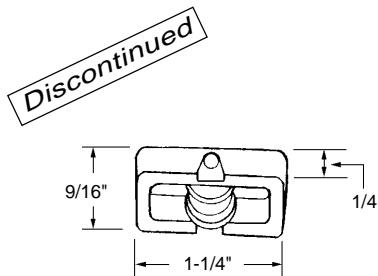
Part Number
5-338
 Housing: Nylon
 Wheel: Nylon
 Unit: Each Bulk: 25 Pcs.
 Used By: Hialco

•Replacement wheel available separate, 5-328 (page 5-12).



Sliding Window Roller

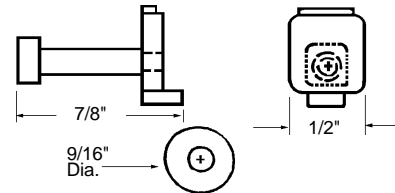
Part Number
5-340
 Housing: Nylon
 Wheel: Nylon
 Unit: Each Bulk: 25 Pcs.
 Used By: Hialco



Sliding Window Roller

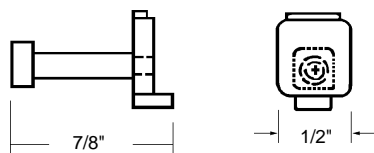
Part Number
5-310
 Housing: Nylon
 Wheel: Nylon
 Unit: N/A
 Used By: Indal/WAP

•Replacement housing only, 5-476H (on this page).



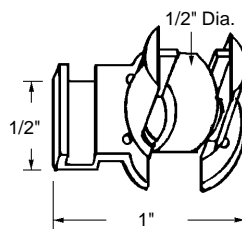
Sealed Unit Vent Wheel

Part Number
5-476
 Housing: Acetal
 Wheel: Nylon
 Unit: Each Bulk: 100 Pcs.
 Used By: Indal/WAP



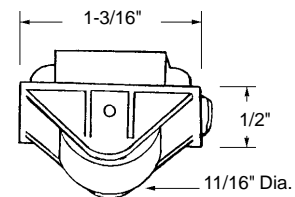
Housing for Sealed Unit Vent Wheel 5-476

Part Number
5-476H
 Housing: Acetal
 Unit: Each Bulk: 100 Pcs.
 Used By: Indal/WAP



Sliding Window Roller

Part Number
5-342
 Housing: Nylon
 Wheel: Nylon
 Unit: Each Bulk: 50 Pcs.
 Used By: Gienow

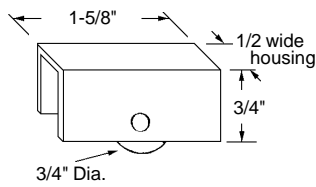


Sliding Window Roller

Part Number
5-349
 Housing: Plastic
 Wheel: Nylon
 Unit: Each Bulk: 100 Pcs.
 Used By: Flexlox

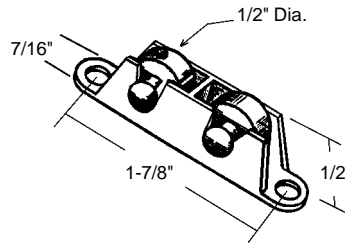
SLIDING WINDOW HARDWARE & LINEALS

•5/16" wide with rivet heads.



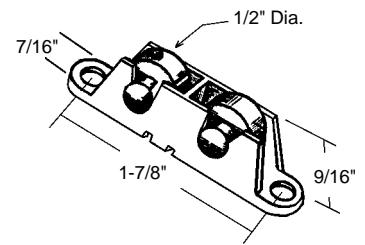
Sliding Window Roller

Part Number
5-335
 Housing: Aluminum
 Wheel: Nylon
 Unit: Each Bulk: 100 Pcs.
 Used By: Wescraft



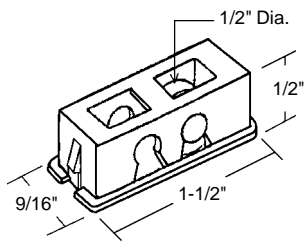
Sliding Window Tandem Roller

Part Number Wheel
5-361N Nylon
5-361B Brass
 Housing: Nylon
 Unit: Each Bulk: 100 Pcs.
 Used By: Enerpro



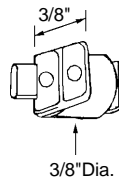
Sliding Window Tandem Roller

Part Number Wheel
5-362N Nylon
5-362B Brass
 Housing: Nylon
 Unit: Each Bulk: 100 Pcs.
 Used By: Berlinex



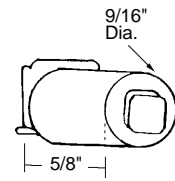
Sliding Window Tandem Roller

Part Number Wheel
5-363N Nylon
5-363B Brass
 Housing: Nylon
 Unit: Each Bulk: 100 Pcs.
 Used By: Willmar



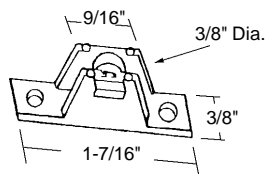
Sliding Window Roller

Part Number
5-324 
 Housing: Nylon
 Wheel: Nylon
 Unit: Each Bulk: 100 Pcs.
 Used By: Several Manufacturers



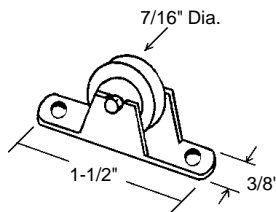
Sliding Window Roller

Part Number
5-325
 Housing: Nylon
 Wheel: Nylon
 Unit: Each Bulk: 100 Pcs.
 Used By: Several Manufacturers



Sliding Window Roller

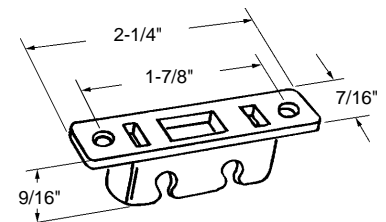
Part Number
5-326 
 Housing: Nylon
 Wheel: Nylon
 Unit: Each Bulk: 100 Pcs.
 Used By: Several Manufacturers



Sliding Window Roller

Part Number Wheel
5-369A Metal
5-369B Plastic
 Housing: Plastic
 Unit: Each Bulk: 25 Pcs.
 Used By: Several Manufacturers

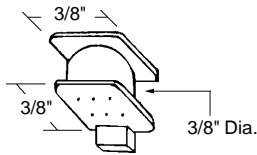
•c/w two brass rollers – 7/16" diameter.



Sliding Window Roller

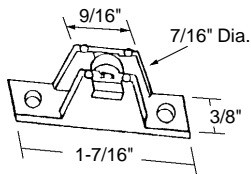
Part Number
5-474
 Housing: Nylon
 Wheels: Brass
 Unit: Each Bulk: 100 Pcs.
 Used By: Award Windows & Others

SLIDING WINDOW HARDWARE & LINEALS



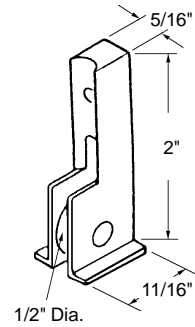
Sliding Window Roller

Part Number
5-336
 Housing: Nylon
 Wheel: Nylon
 Unit: Each Bulk: 100 Pcs.
 Used By: Several Manufacturers



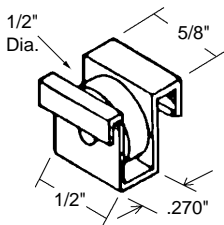
Sliding Window Roller

Part Number
5-337
 Housing: Nylon
 Wheel: Nylon
 Unit: Each Bulk: 100 Pcs.
 Used By: Several Manufacturers



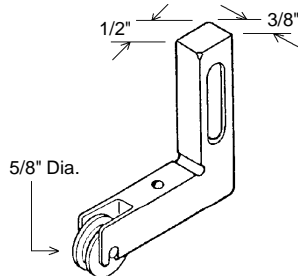
Sliding Window Roller

Part Number
5-458
 Housing: Nylon
 Wheel: Nylon
 Unit: Each Bulk: 50 Pcs.
 Used By: Several Manufacturers



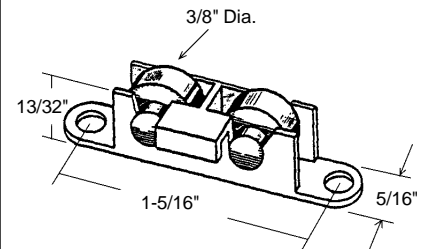
Sliding Window Roller & Guide

Part Number
5-459
 Housing: Nylon
 Wheel: Nylon
 Unit: Each Bulk: 50 Pcs.
 Used By: Several Manufacturers



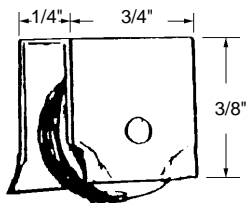
Sliding Window Corner Lock & Roller

Part Number
5-460
 Housing: Die Cast
 Wheel: Plastic
 Unit: Each Bulk: 25 Pcs.
 Used By: Several Manufacturers



Sliding Window Tandem Roller

Part Number
5-376
 Housing: Nylon
 Wheel: Nylon
 Unit: Each Bulk: 50 Pcs.
 Used By: Several Manufacturers

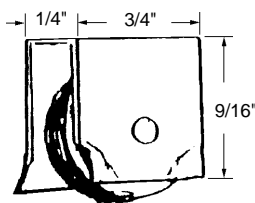


•Groove Type Wheel,
 1/2" Dia.



Sliding Window Roller

Part Number
5-432
 Housing: Steel
 Wheel: Nylon
 Unit: Each Bulk: 50 Pcs.
 Used By: Several Manufacturers

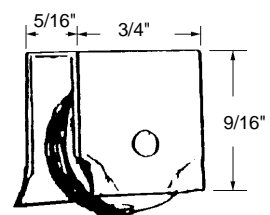


•Round Wheel, 9/16" Dia.
 •Housing has bent corners.



Sliding Window Roller

Part Number
5-433
 Housing: Steel
 Wheel: Nylon
 Unit: Each Bulk: 50 Pcs.
 Used By: Several Manufacturers

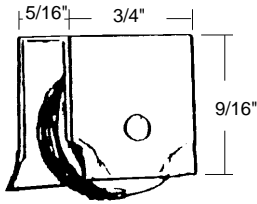


•Groove Type Wheel, 1/2" Dia.
 •Housing has bent corners.



Sliding Window Roller

Part Number
5-434
 Housing: Steel
 Wheel: Nylon
 Unit: Each Bulk: 50 Pcs.
 Used By: Several Manufacturers



- Flat Wheel, 9/16" Dia.
- Housing has bent corners.

Sliding Window Roller

Part Number

5-438

Housing: Steel

Wheel: Nylon

Unit: Each

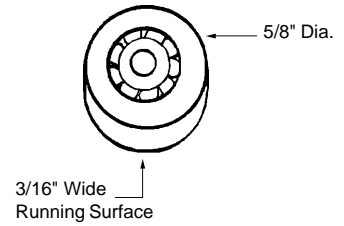
Bulk: 100 Pcs.

Used By: Several Manufacturers



Looking for a part,
but don't know where
to start?
The best place to
start is our
alphabetical index at
the front of the
catalogue.

- 1/4" wide at race.
- Center Hole: 1/8" Dia.



Sliding Window Roller

Part Number

5-425

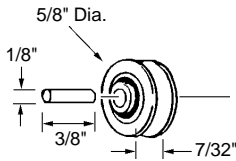
Wheel: Steel Ball Bearing

Unit: Each

Bulk: 100 Pcs.

Used By: Indal/W.A.P.

- Package includes 2 nylon wheels and 2 steel pins.



Sliding Window Wheels

Part Number

5-328

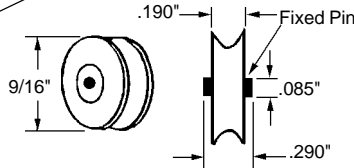
Material: Nylon Ball Bearing

Unit: Pair

Bulk: 25 Pair

Used By: Several Manufacturers

Discontinued



Sliding Window Wheel

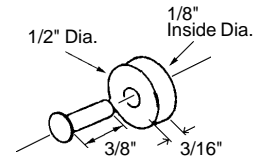
Part Number

5-383

Material: Steel

Unit: N/A

Used By: Several Manufacturers



Sliding Window Wheel & Axle

Part Number

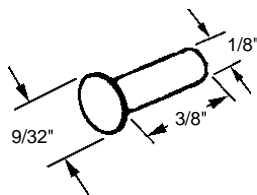
5-348

Material: Nylon

Unit: Each

Bulk: 100 Pcs.

Used By: Several Manufacturers



Sliding Window Axle for Wheel 5-348B

Part Number

5-348A

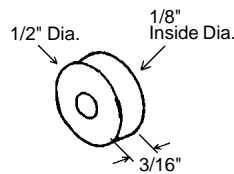
Material: Nylon

Unit: Each

Bulk: 100 Pcs.

Used By: Several Manufacturers

- Axle sold separate, 5-348A (on this page).



Sliding Window Wheel

Part Number

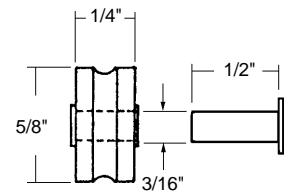
5-348B

Material: Nylon

Unit: Each

Bulk: 100 Pcs.

Used By: Several Manufacturers



Sliding Window Wheel c/w Axle

Part Number

5-463

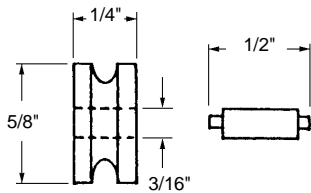
Material: Nylon

Unit: Each

Bulk: 100 Pcs.

Used By: Several Manufacturers

SLIDING WINDOW HARDWARE & LINEALS



Sliding Window Wheel c/w Axle

Part Number

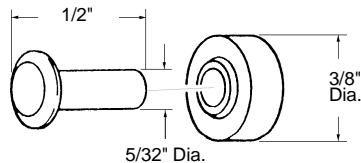
5-464

Material: Nylon

Unit: Each

Bulk: 100 Pcs.

Used By: Several Manufacturers



Sliding Window Wheel c/w Axle

Part Number

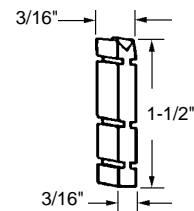
5-465

Material: Nylon

Unit: Each

Bulk: 100 Pcs.

Used By: Several Manufacturers



Sash Corner

Part Number

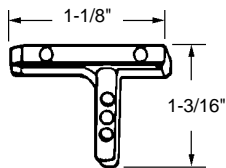
5-372

Material: Aluminum

Unit: Each

Bulk: 100 Pcs.

Used By: Indal/W.A.P.



Sash Corner

Part Number

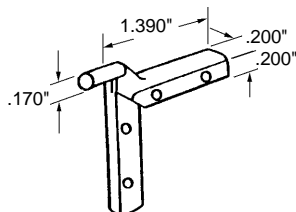
5-373

Material: Die Cast

Unit: Each

Bulk: 100 Pcs.

Used By: Indal/W.A.P.



Sash Corner

Part Number

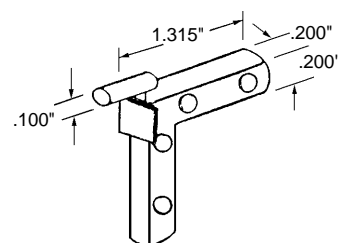
5-374

Material: Die Cast

Unit: Each

Bulk: 100 Pcs.

Used By: Several Manufacturers



Sash Corner

Part Number

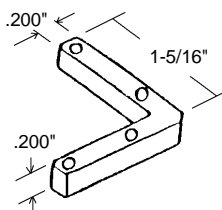
5-375

Material: Plastic

Unit: Each

Bulk: 100 Pcs.

Used By: Several Manufacturers



Sash or Screen Corner

Part Number

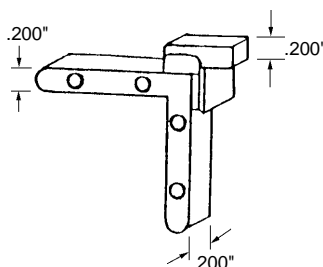
5-377

Material: Die Cast

Unit: Each

Bulk: 100 Pcs.

Used By: Several Manufacturers



Sash Corner

Part Number

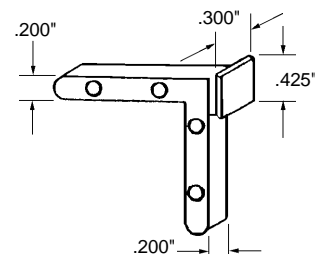
5-378

Material: Plastic

Unit: Each

Bulk: 100 Pcs.

Used By: Several Manufacturers



Sash Corner

Part Number

5-379

Material: Plastic

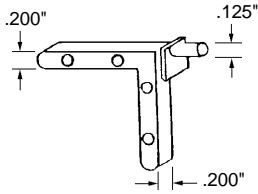
Unit: Each

Bulk: 100 Pcs.

Used By: Several Manufacturers

SLIDING WINDOW HARDWARE & LINEALS

Discontinued



Sash Corner

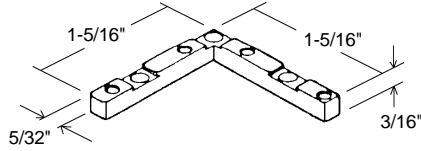
Part Number

5-386

Material: Plastic

Unit: N/A

Used By: Several Manufacturers



Sash or Screen Corner

Part Number

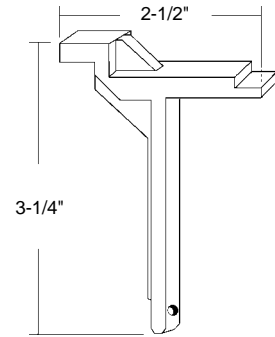
5-394

Material: Die Cast

Unit: Each

Bulk: 100 Pcs.

Used By: Several Manufacturers



Sash Corner Key

Part Number

5-320

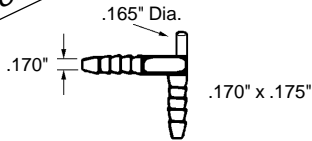
Material: Die Cast

Unit: Each

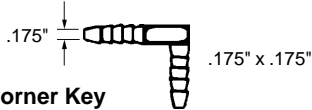
Bulk: 50 Pcs.

Used By: Alcan

Discontinued



•Package of 4:
2 with knobs
2 without knobs



Sash Corner Key

Part Number

Colour

5-472B

Brown

5-472W

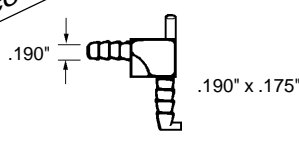
White

Material: Plastic

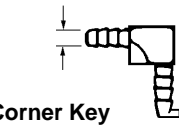
Unit: N/A

Used By: Aluminart

Discontinued



•Package of 4:
2 with knobs
2 without knobs



Sash Corner Key

Part Number

Colour

5-473B

Brown

5-473W

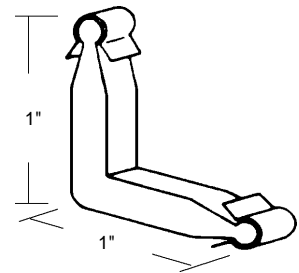
White

Material: Plastic

Unit: N/A

Used By: Aluminart

•Thickness: 3/16" x 3/16".



Sash Corner Key

Part Number

5-429

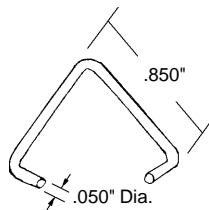
Material: Die Cast

Unit: Each

Bulk: 100 Pcs.

Used By: Several Manufacturers

FOR MORE
SCREEN/SASH
CORNERS
SEE SECTION 3
AND
SECTION 8.



Sash Corner Clip

Part Number

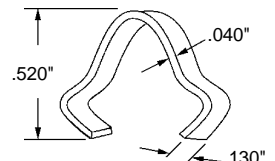
5-371

Material: Spring Steel

Unit: Each

Bulk: 100 Pcs.

Used By: Humphrey



Sash Corner Clip

Part Number

5-370

Material: Steel

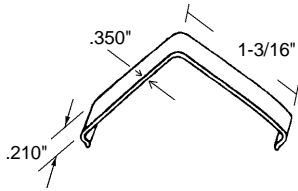
Unit: Each

Bulk: 100 Pcs.

Used By: Wescab



SLIDING WINDOW HARDWARE & LINEALS



Sash Corner Clip

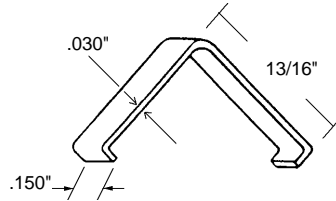
Part Number

5-381

Material: Steel

Unit: Each Bulk: 100 Pcs.

Used By: Several Manufacturers



Sash Corner Clip

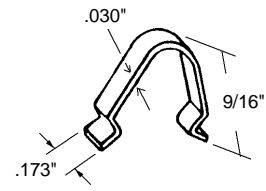
Part Number

5-384

Material: Steel

Unit: Each Bulk: 100 Pcs.

Used By: Several Manufacturers



Sash Corner Clip

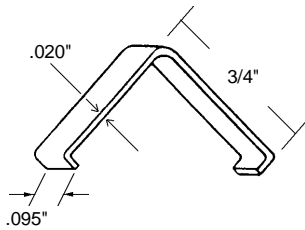
Part Number

5-384

Material: Steel

Unit: Each Bulk: 100 Pcs.

Used By: Several Manufacturers



Sash Corner Clip

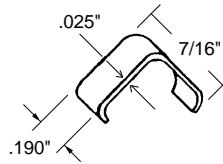
Part Number

5-385

Material: Steel

Unit: Each Bulk: 100 Pcs.

Used By: Several Manufacturers



Sash Corner Clip

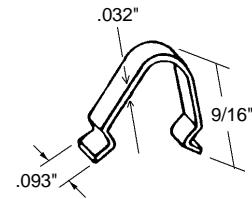
Part Number

5-387

Material: Steel

Unit: Each Bulk: 100 Pcs.

Used By: Several Manufacturers



Sash Corner Clip

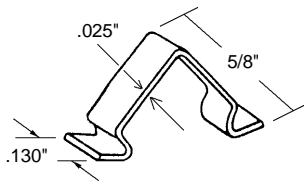
Part Number

5-388

Material: Steel

Unit: Each Bulk: 100 Pcs.

Used By: Several Manufacturers



Sash Corner Clip

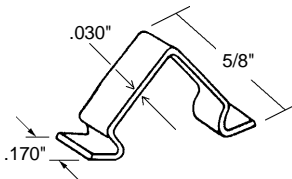
Part Number

5-389

Material: Steel

Unit: Each Bulk: 100 Pcs.

Used By: Several Manufacturers



Sash Corner Clip

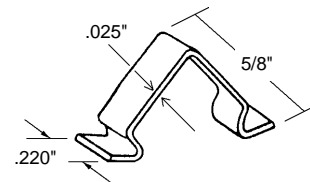
Part Number

5-390

Material: Steel

Unit: Each Bulk: 100 Pcs.

Used By: Several Manufacturers



Sash Corner Clip

Part Number

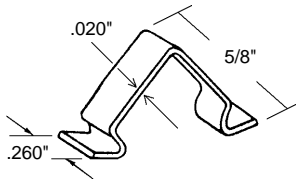
5-391

Material: Steel

Unit: Each Bulk: 100 Pcs.

Used By: Several Manufacturers

SLIDING WINDOW HARDWARE & LINEALS



Sash Corner Clip

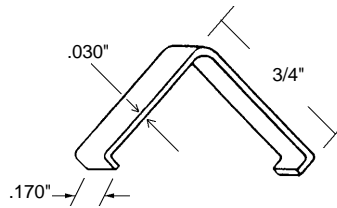
Part Number

5-392

Material: Steel

Unit: Each Bulk: 100 Pcs.

Used By: Several Manufacturers



Sash Corner Clip

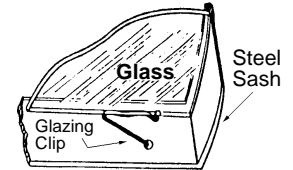
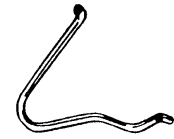
Part Number

5-393

Material: Steel

Unit: Each Bulk: 100 Pcs.

Used By: Several Manufacturers



Sash Clip

Part Number

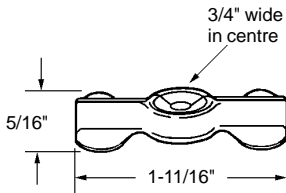
5-380

Material: Steel

Unit: Each Bulk: 100 Pcs.

Used By: Several Manufacturers

- To hold fixed window frames and window screens in place.
- For narrow rail applications with 2 adjacent screens.



Double Storm Window Clip

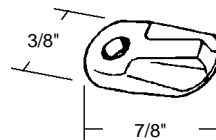
Part Number

5-484

Material: Zinc Plated Steel

Unit: Each Bulk: 100 Pcs.

Used By: Several Manufacturers



Storm Window Clip

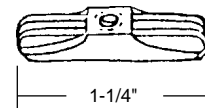
Part Number

5-407

Material: Plastic

Unit: Each Bulk: 100 Pcs.

Used By: Several Manufacturers



Double Storm Window Clip

Part Number

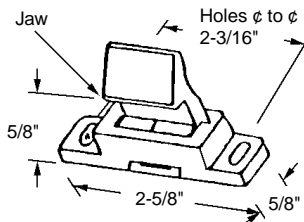
5-407D

Material: Plastic

Unit: Each Bulk: 100 Pcs.

Used By: Several Manufacturers

- Jaw height is from underside of base to catch point: 9/16\".



Sliding Window Lock

Part Number Material Colour

5-402 Plastic White

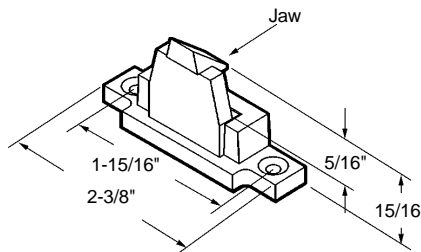
5-435* Metal Chrome

Unit: Each Bulk: 100 Pcs. *25 Pcs.

Used By: Alcan



- Jaw height is from underside of base to catch point: 7/8\".



Sliding Window Lock

Part Number Material Colour

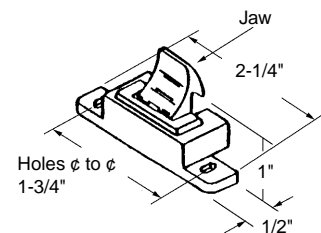
5-405-A* Plastic White

5-405 Metal Chrome

Unit: Each Bulk: 50 Pcs. *100 Pcs.

Used By: P.H. Tech

- Jaw height is from underside of base to catch point: 15/16\".



Sliding Window Lock

Part Number

5-357

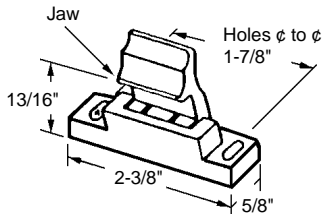
Material: Plastic

Colour: White

Unit: Each Bulk: 50 Pcs.

Used By: Solaris

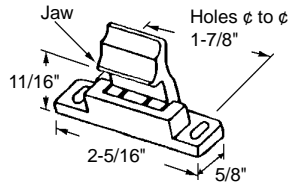
•Jaw height is from underside of base to catch point: 3/4".



Sliding Window Lock

Part Number
5-358
 Material: Nylon
 Colour: White
 Unit: Each Bulk: 50 Pcs.
 Used By: Indal

•Jaw height is from underside of base to catch point: 11/16".



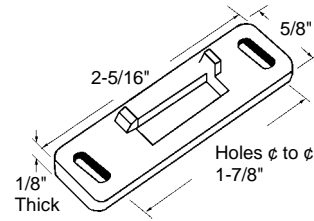
Sliding Window Lock

Part Number
5-403
 Material: Nylon
 Colour: White
 Unit: Each Bulk: 100 Pcs.
 Used By: Several Manufacturers

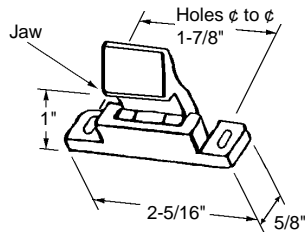


Shim for Sliding Window Lock 5-403

Part Number
5-471
 Material: Nylon
 Colour: White
 Unit: Each Bulk: 100 Pcs.
 Used By: Several Manufacturers



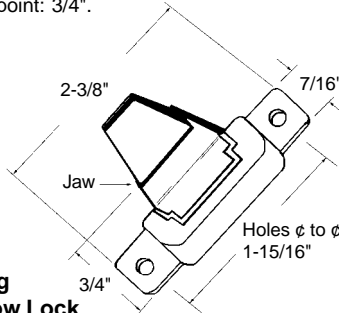
•Jaw height is from underside of base to catch point: 15/16".



Sliding Window Lock

Part Number Colour
5-440 ~~White~~ (Discontinued)
5-440B **Brown**
 Material: Plastic
 Unit: Each Bulk: 100 Pcs.
 Used By: Several Manufacturers

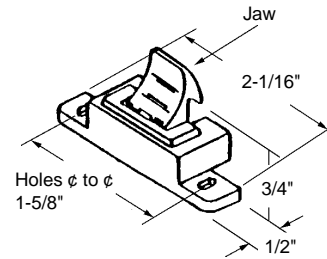
•Jaw height is from underside of base to catch point: 3/4".



Sliding Window Lock

Part Number
5-467
 Material: Die Cast
 Colour: Chrome
 Unit: Each Bulk: 100 Pcs.
 Used By: Several Manufacturers

•Jaw height is from underside of base to catch point: 11/16".

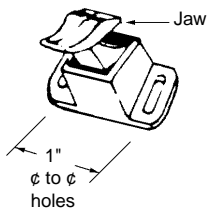


Sliding Window Lock

Part Number
5-419
 Material: Nylon
 Colour: White
 Unit: Each Bulk: 100 Pcs.
 Used By: Several Manufacturers

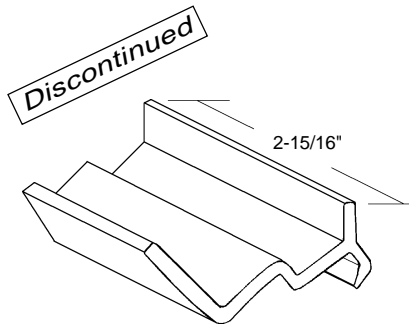


•Jaw height is from underside of base to catch point: 11/16".



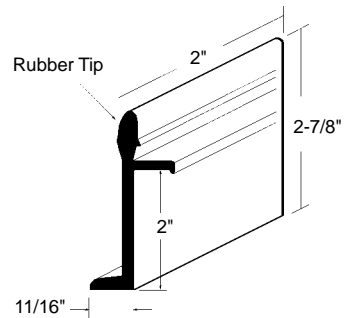
Sliding Window Lock

Part Number
5-453
 Material: Plastic
 Colour: White
 Unit: Each Bulk: 100 Pcs.
 Used By: Several Manufacturers



Sliding Window Fixed Panel Holder

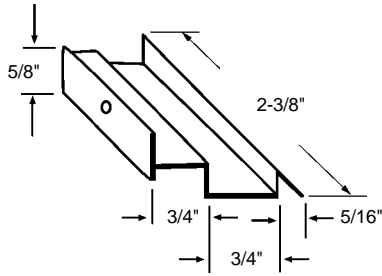
Part Number
5-495
 Material: Plastic
 Colour: Black
 Unit: N/A
 Used By: Several Manufacturers



Sliding Window Fixed Panel Holder

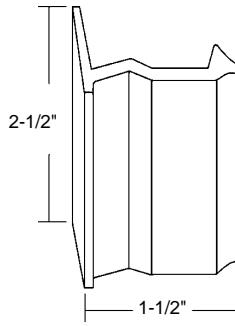
Part Number
5-501
 Material: Plastic
 Colour: Black
 Unit: Each Bulk: 25 Pcs.
 Used By: Several Manufacturers

SLIDING WINDOW HARDWARE & LINEALS



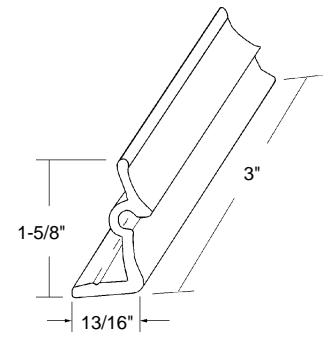
Sliding Window Fixed Panel Holder

Part Number
5-487
 Material: Plastic
 Colour: Grey
 Unit: Each Bulk: 25 Pcs.
 Used By: Several Manufacturers



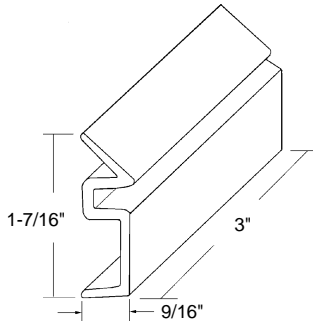
Sliding Window Lock

Part Number Colour
5-502B **Brown**
5-502W **White**
 Material: Plastic
 Unit: Each Bulk: 25 Pcs.
 Used By: Primo



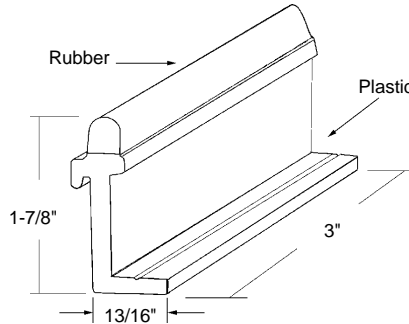
Sliding Window Lock

Part Number
5-509
 Material: Plastic
 Colour: Black
 Unit: Each Bulk: 20 Pcs.
 Used By: Several Manufacturers



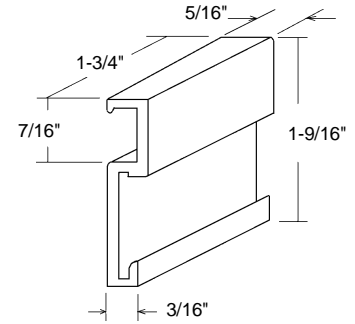
Sliding Window Lock

Part Number
5-510
 Material: Plastic
 Colour: Grey
 Unit: Each Bulk: 100 Pcs.
 Used By: Several Manufacturers



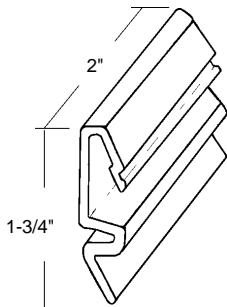
Sliding Window Lock

Part Number
5-512
 Material: Plastic/Rubber
 Colour: Brown
 Unit: Each Bulk: 20 Pcs.
 Used By: Several Manufacturers



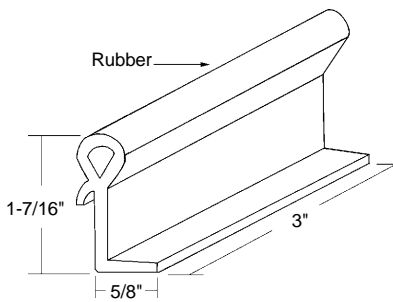
Sliding Window Lock

Part Number
5-366
 Material: Plastic
 Colour: White
 Unit: Each Bulk: 25 Pcs.
 Used By: Several Manufacturers



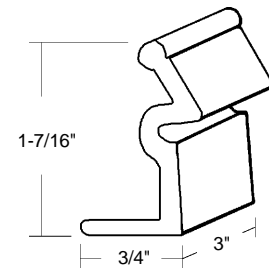
Sliding Window Lock

Part Number Colour
5-367B **Brown**
5-367W **White**
 Material: Vinyl
 Unit: Each Bulk: 25 Pcs.
 Used By: Several Manufacturers



Sliding Window Lock

Part Number
5-511
 Material: Plastic
 Colour: Black
 Unit: Each Bulk: 20 Pcs.
 Used By: Several Manufacturers



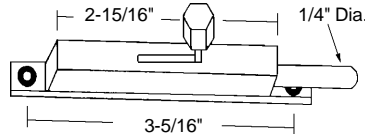
Window Lock

Part Number
5-500
 Material: Plastic
 Colour: White
 Unit: Each Bulk: 50 Pcs.
 Used By: Several Manufacturers

SLIDING WINDOW HARDWARE & LINEALS

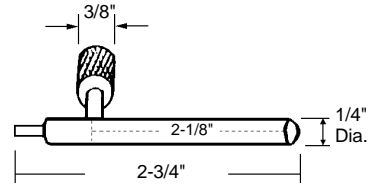


Discontinued



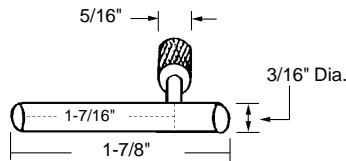
Sliding Window Plunger Lock

Part Number
401
Material: Steel
Colour: White
Unit: N/A
Used By: Rusco



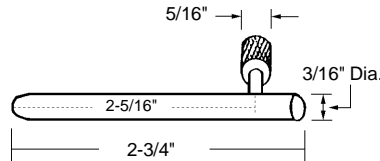
Sliding Window Plunger Lock c/w Spring 5-408

Part Number
5-409
Material: Steel
Finish: Mill
Unit: Each Bulk: 25 Pcs.
Used By: Indal/W.A.P.



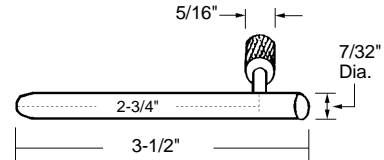
Sliding Window Plunger Lock c/w Spring 5-408

Part Number
5-410
Material: Steel
Finish: Mill
Unit: Each Bulk: 25 Pcs.
Used By: Indal/W.A.P.



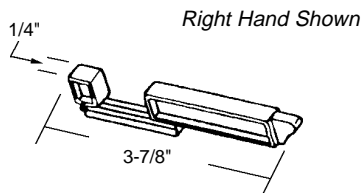
Sliding Window Plunger Lock c/w Spring 5-408

Part Number
5-410A
Material: Steel
Finish: Mill
Unit: Each Bulk: 25 Pcs.
Used By: Indal/W.A.P.



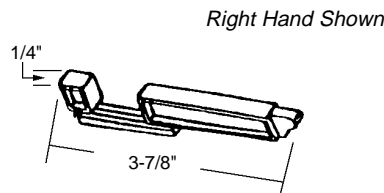
Sliding Window Plunger Lock c/w Spring 5-408

Part Number
5-410B
Material: Steel
Finish: Mill
Unit: Each Bulk: 25 Pcs.
Used By: Indal/W.A.P.



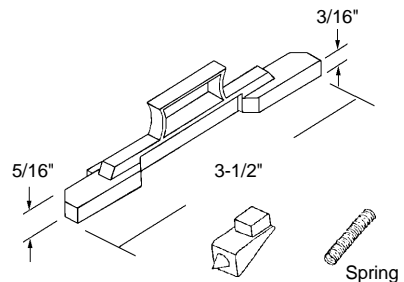
Window Slide Lock c/w Spring

Part Number Hand
5-404L **Left**
5-404R **Right**
Material: Plastic
Colour: White
Unit: Each Bulk: 100 Pcs.
Used By: Kaufmann



Window Slide Lock c/w Spring

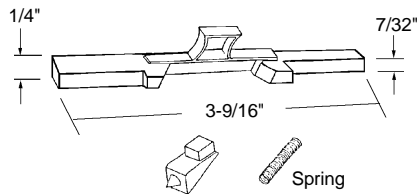
Part Number Hand
5-414L **Left**
5-414R **Right** ★
Material: Die Cast
Finish: Mill
Unit: Each Bulk: 100 Pcs.
Used By: Kaufmann



Sliding Window Plunger Lock

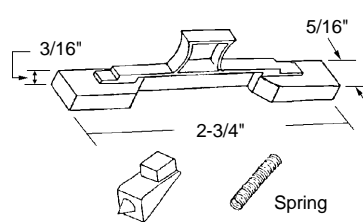
Part Number
5-456 ★
Material: Die Cast
Finish: Mill
Unit: Each Bulk: 100 Pcs.
Used By: Several Manufacturers

SLIDING WINDOW HARDWARE & LINEALS




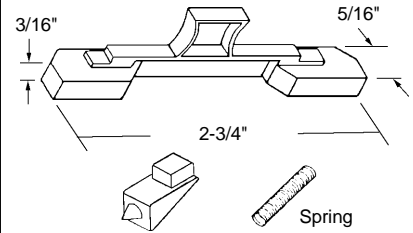
Sliding Window Plunger Lock

Part Number
5-475
 Material: Die Cast
 Finish: Mill
 Unit: Each Bulk: 100 Pcs.
 Used By: Indal/W.A.P.




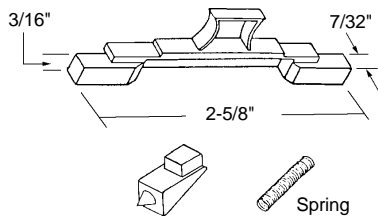
Sliding Window Plunger Lock

Part Number
5-412 
 Material: Die Cast
 Finish: Mill
 Unit: Each Bulk: 100 Pcs.
 Used By: Several Manufacturers




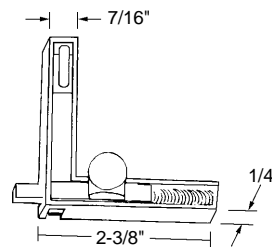
Sliding Window Plunger Lock

Part Number
5-412A 
 Material: Die Cast
 Finish: Mill
 Unit: Each Bulk: 100 Pcs.
 Used By: Several Manufacturers



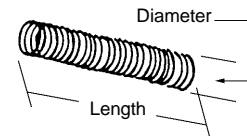
Sliding Window Plunger Lock

Part Number
5-411 
 Material: Die Cast
 Finish: Mill
 Unit: Each Bulk: 100 Pcs.
 Used By: Several Manufacturers



Corner Plunger Lock

Part Number
5-447
 Material: Plastic
 Colour: White
 Unit: Each Bulk: 50 Pcs.
 Used By: Several Manufacturers

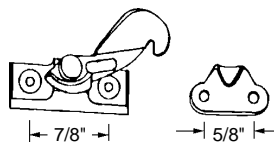


Sliding Window Spring

Part Number	Diameter	Length
5-408	.217"	1-1/2"
5-408A	.187"	1-1/2"
5-408B	.290"	2-7/8"

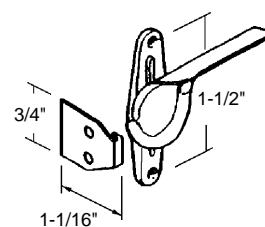
Material: Spring
 Unit: Each Bulk: 100 Pcs.
 Used By: Several Manufacturers

Discontinued



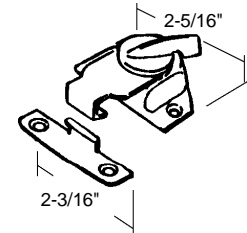
Sliding Window Lock

Part Number
5-423
 Material: Die Cast/Steel
 Finish: Silver
 Unit: N/A
 Used By: Several Manufacturers



Sliding Window Lock

Part Number
5-413
 Material: Die Cast Housing/Steel Keeper
 Finish: Silver
 Unit: Each Bulk: 25 Pcs.
 Used By: Several Manufacturers

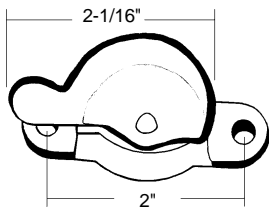


Sliding Window Cam Lock

Part Number
5-421
 Material: Metal
 Finish: Silver
 Unit: Each Bulk: 25 Pcs.
 Used By: Several Manufacturers

SLIDING WINDOW HARDWARE & LINEALS

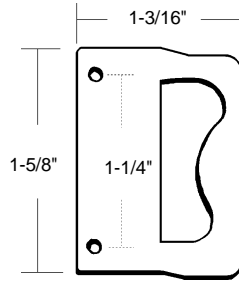
•Keepers sold separately, 5-423A/B/C.



Double Hung Sash Lock

Part Number
5-417
 Material: Metal
 Colour: Brown
 Unit: Each Bulk: 10 Pcs.
 Used By: Several Manufacturers

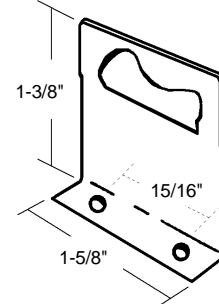
•Keeper for sash lock 5-417.



Sliding Window Lock Strike

Part Number
5-423A
 Material: Steel
 Finish: Silver
 Unit: Each Bulk: 25 Pcs.
 Used By: Several Manufacturers

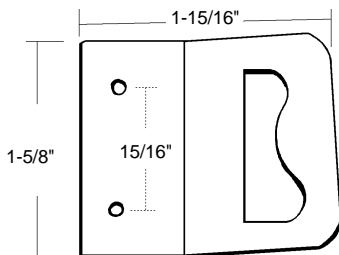
•Keeper for sash lock 5-417.



Sliding Window Lock Strike

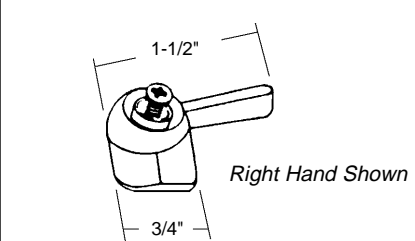
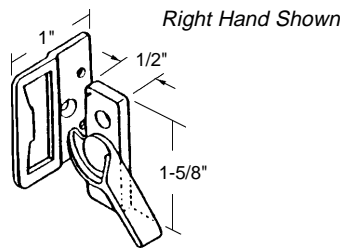
Part Number
5-423B
 Material: Steel
 Finish: Silver
 Unit: Each Bulk: 25 Pcs.
 Used By: Several Manufacturers

•Keeper for sash lock 5-417.



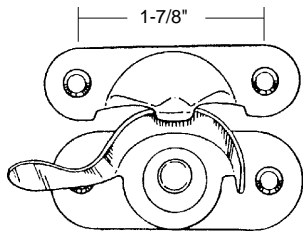
Sliding Window Lock Strike

Part Number
5-423C
 Material: Steel
 Finish: Silver
 Unit: Each
 Bulk: 25 Pcs.
 Used By: Several Manufacturers



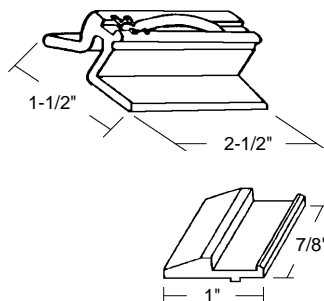
Sliding Window Lock

Part Number Hand
5-426L **Left**
5-426R **Right**
 Material: Zinc Plated Die Cast
 Finish: Silver
 Unit: Each Bulk: 100 Pcs.
 Used By: Several Manufacturers



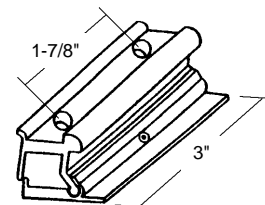
Double Hung Sash Lock

Part Number
5-466
 Material: Metal
 Finish: Brass Plated
 Unit: Each Bulk: 100 Pcs.
 Used By: Several Manufacturers



Sliding Window Lock c/w Strike

Part Number
5-418
 Material: Aluminum
 Finish: Mill
 Unit: Each Bulk: 25 Pcs.
 Used By: Supreme



Sliding Window Centre Lock

Part Number
5-422
 Material: Extruded Aluminum
 Finish: Mill
 Unit: Each Bulk: 25 Pcs.
 Used By: Futurama

