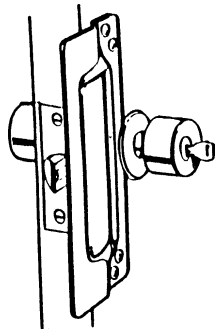


Latch Lock Protectors	16-2
Window Locks & Patio Door Locks	16-2 to 16
Mail Box Locks	16-7 to 16-8
Door Viewer	16-8
High Security Door Guard	16-8
Lock Reinforcement Kit	16-9
Super guard Lock III.....	16-9

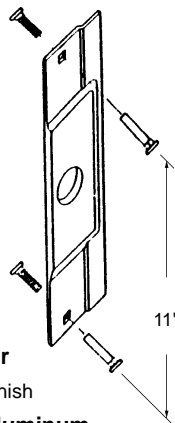
•3" x 10-7/8" latch lock protector for out-swinging doors (blocker only).



Latch Lock Protector

Part Number	Colour
16-606	Silver
16-606B	Brown
Material: Steel	
Unit: Each	Bulk: 10 Pcs.
Used By: Several Manufacturers	

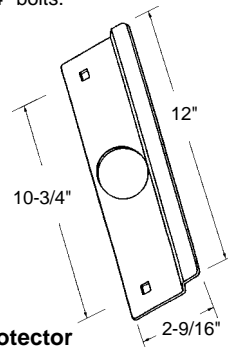
•3-1/2" x 12" latch lock protector.



Latch Lock Protector

Part Number	Finish
16-608	Aluminum
16-608B	Duronodic
Material: Steel	
Unit: Each	Bulk: 10 Pcs.
Used By: Adams Rite	

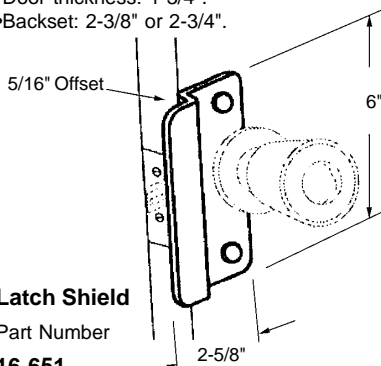
•c/w 5/16" x 2-1/4" bolts.



Latch Lock Protector

Part Number	Finish
16-609H	Aluminum
16-609H-B	Duronodic
Material: Steel	
Unit: Each	Bulk: 10 Pcs.
Used By: Several Manufacturers	

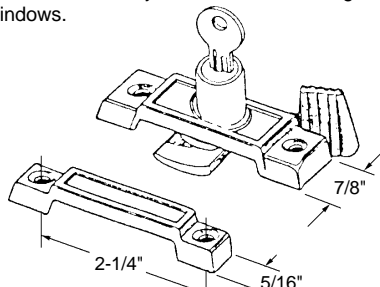
•c/w 2 carriage bolts, 2 cap nuts and washers.
•Door thickness: 1-3/4".
•Backset: 2-3/8" or 2-3/4".



Latch Shield

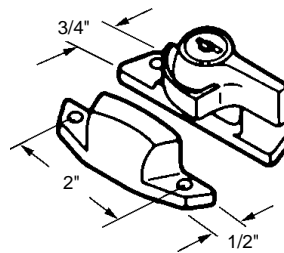
Part Number	
16-651	
Material: Steel	
Colour: Grey	
Unit: Each	Bulk: 10 Pcs.
Used By: Several Manufacturers	

•For aluminum, vinyl or wood double hung windows.



Slim Line Sash Lock — Keyed

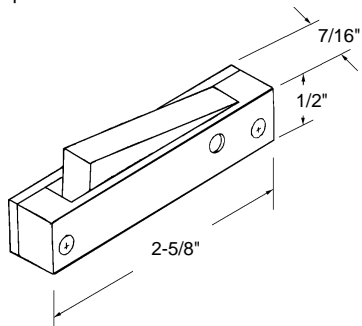
Part Number	
16-648	
Material: Die Cast	
Colour: Black	
Unit: Each	Bulk: 15 Pcs.
Used By: Several Manufacturers	



Sash Lock — Keyed

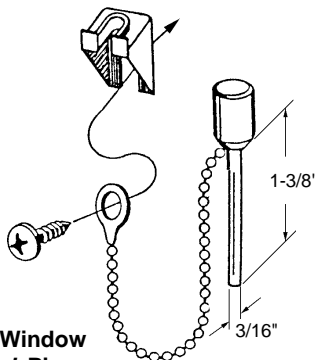
Part Number	
16-628	
Material: Die Cast	
Finish: Brass	
Unit: Each	Bulk: 25 Pcs.
Used By: Several Manufacturers	

•Top track mount.



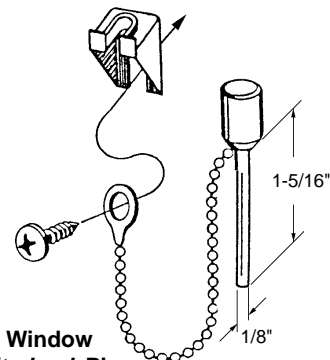
Spring Loaded Sliding Window Lock

Part Number	
16-626	
Material: Die Cast	
Finish: Mill	
Unit: Each	Bulk: 25 Pcs.
Used By: Several Manufacturers	



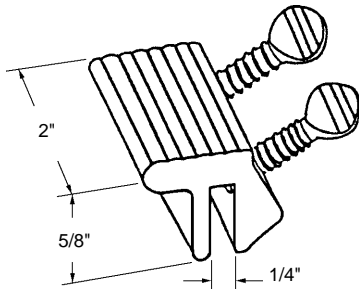
Sliding Window Nite-Lock Pin

Part Number	
16-638	
Material: Hardened Steel	
Finish: Mill	
Unit: Each	Bulk: 25 Pcs.
Used By: Several Manufacturers	



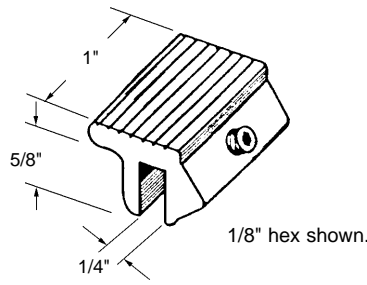
Sliding Window Mini Nite-Lock Pin

Part Number	
16-639	
Material: Hardened Steel	
Finish: Mill	
Unit: Each	Bulk: 25 Pcs.
Used By: Several Manufacturers	



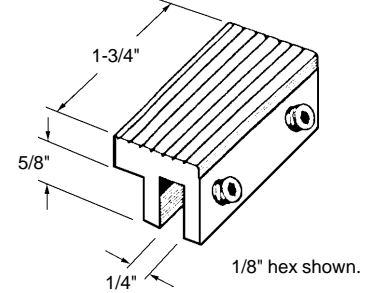
Sliding Window Sash Lock

Part Number
16-604D
 Material: Zinc Die Cast
 Finish: Mill
 Unit: Each Bulk: 100 Pcs.
 Used By: Several Manufacturers



Tamper-Resistant Sliding Window Sash Lock

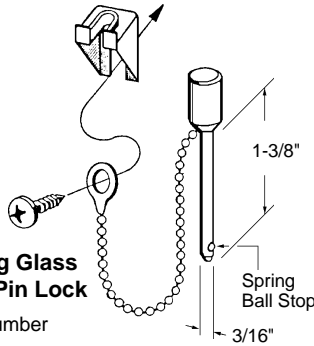
Part Number
16-646
 Material: Zinc Die Cast
 Finish: Mill
 Unit: Each Bulk: 50 Pcs.
 Used By: Several Manufacturers



Tamper-Resistant Sliding Window Sash Lock

Part Number
16-646D
 Material: Aluminum
 Finish: Mill
 Unit: Each Bulk: 50 Pcs.
 Used By: Several Manufacturers

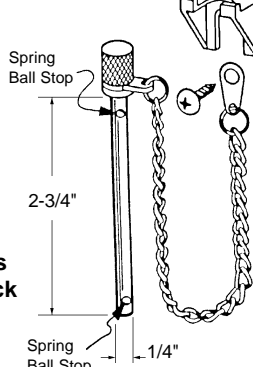
•Spring loaded steel ball helps prevent pin being jarred from window.



Sliding Glass Door Pin Lock

Part Number
16-601
 Material: Hardened Steel
 Finish: Mill
 Unit: Each Bulk: 25 Pcs.
 Used By: Several Manufacturers

•Spring loaded steel ball helps prevent pin being jarred from window.



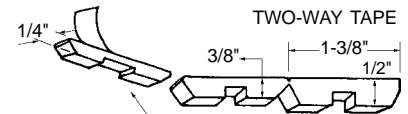
Sliding Glass Door Pin Lock

Part Number
16-602
 Material: Hardened Steel
 Finish: Mill
 Unit: Each Bulk: 25 Pcs.
 Used By: Several Manufacturers

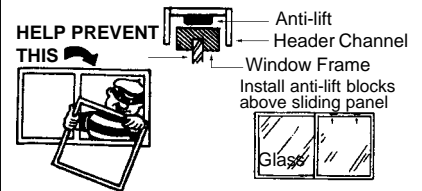
•Helps prevent liftout of sliding panels when in either the locked or ventilating position. Each package contains (2) 4-1/8 in. long, 3 step break-off bars. Complete with drill point screws. Unique step-down design allows you to choose most appropriate of three sizes of anti-liftout blocks.

Just break the strip into three blocks, select the thickness which best helps prevent liftout (use two of the same thickness blocks for each window or door). Remove backing from two-way tape, and affix blocks to underside of header.

Note: Drill point screws are included to permanently secure blocks in those situations where header channel is not smooth or clean enough for tape to hold firmly.



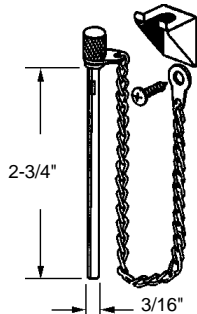
ANTI-LIFTOUT BLOCKS (SHOWING BREAK-AWAY DESIGN)



Anti-Liftout blocks for Sliding Doors & Windows

Part Number
16-603
 Material: Die Cast
 Finish: Mill
 Unit: Each Bulk: 25 Pcs.
 Used By: Several Manufacturers

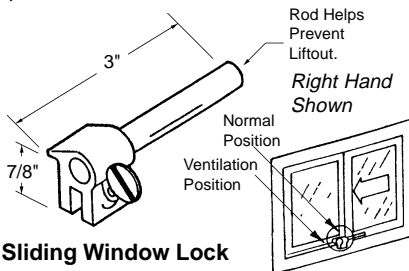
•Helps prevent prying or lifting of door.



Pin Lock with Retaining Ring

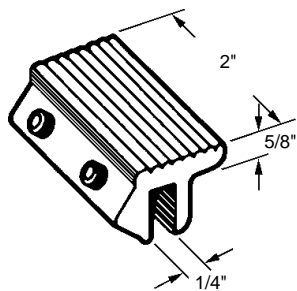
Part Number
16-616
 Material: Hardened Steel
 Finish: Zinc Plated
 Unit: Each Bulk: 25 Pcs.
 Used By: Several Manufacturers

•Stops sliding window movement and helps prevent window from being lifted out of track. Allows window to be in partial open position for ventilation.



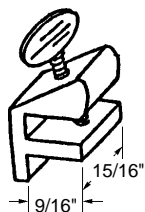
Sliding Window Lock

Part Number Hand
16-619L Left
16-619R Right
 Material: Die Cast
 Colour: Black
 Unit: Each Bulk: 25 Pcs.
 Used By: Several Manufacturers



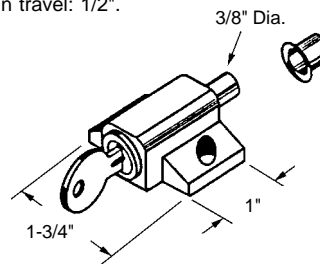
Tamper-Resistant Sliding Window Sash Lock

Part Number
16-646D-A
 Material: Zinc Die Cast
 Finish: Mill
 Unit: Each Bulk: 50 Pcs.
 Used By: Several Manufacturers



Sliding Window Sash Lock

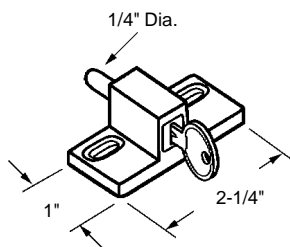
Part Number
16-604
 Material: Zinc Die Cast
 Finish: Mill
 Unit: Each Bulk: 100 Pcs.
 Used By: Several Manufacturers



Sliding Glass Door Lock — Keyed

Part Number
16-653
 Material: Die Cast with Steel Pin
 Finish: Aluminum
 Unit: Each Bulk: 15 Pcs.
 Used By: Several Manufacturers

•Pin travel: 7/16".

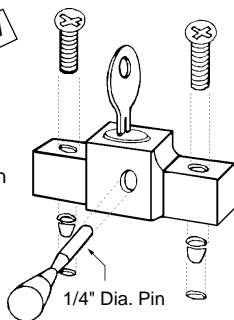


Sliding Glass Door Lock — Keyed

Part Number
16-612
 Material: Die Cast with Steel Pin
 Finish: Mill
 Unit: Each Bulk: 15 Pcs.
 Used By: Several Manufacturers

Discontinued

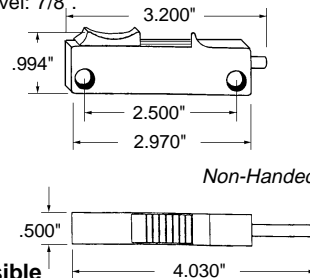
•Pin protrudes 3/4" in locked position.
 •Base: 3/4" x 2-3/4".



Sliding Window & Door Lock — Keyed

Part Number
16-627
 Material: Die Cast
 Finish: Mill
 Unit: N/A
 Used By: Several Manufacturers

•Pin Travel: 7/8".

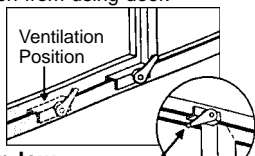


Reversible Window & Glass Door Lock

Part Number	Colour
16-650BE	Beige
16-650BR	Brown
16-650W	White

Material: Plastic Housing with Steel Pin
 Unit: Each Bulk: 25 Pcs.
 Used By: Several Manufacturers

•This cam operated window locking device provides a viselike grip, securely holding the lock to the window track. It is an excellent deterrent to intruders, making window very difficult to open. Lock enables window to be locked in ventilating position. Note: You may place lock on top rail of patio door to prevent small children from using door.

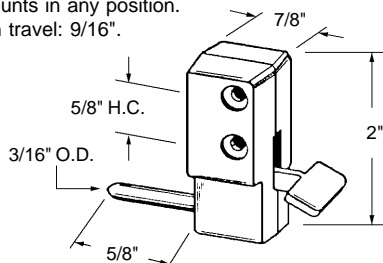


Sliding Window Lock

Part Number
16-618
 Material: Extruded Aluminum
 Finish: Mill
 Unit: Each Bulk: 25 Pcs.
 Used By: Several Manufacturers

Note: You may place lock on top rail of patio door to deter small children from using door.

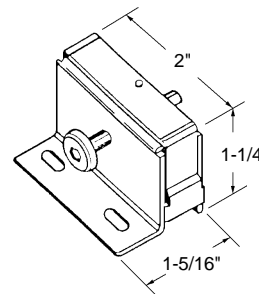
•Convenient foot control secures your sliding glass door when it is closed or partially open.
 •Mounts in any position.
 •Pin travel: 9/16".



Step-On Sliding Glass Door Lock

Part Number
16-613
 Material: Die Cast with Steel Bolt
 Finish: Mill
 Unit: Each Bulk: 25 Pcs.
 Used By: Several Manufacturers

•Pin diameter: 1/4".
 •Pin travel: 7/16".

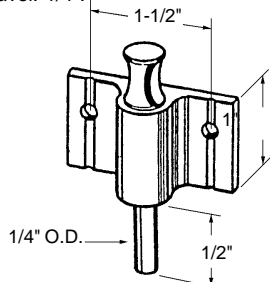


Step-On Sliding Glass Door Lock

Part Number
16-622
 Material: Stamped Steel
 Finish: Mill
 Unit: Each Bulk: 20 Pcs.
 Used By: Several Manufacturers

SECURITY HARDWARE

•Pin Travel: 1/4".



Push/Pull Sliding Glass Door & Window Lock

Part Number

16-640

Material: Die Cast with Steel Bolt

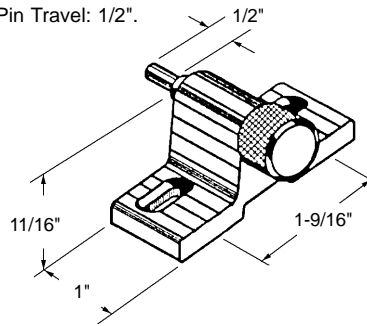
Finish: Aluminum

Unit: Each

Bulk: 25 Pcs.

Used By: Several Manufacturers

•Pin Travel: 1/2".



Sliding Glass Door Security Lock

Part Number

16-600

Material: Zamac Cast with Aluminum Bolt

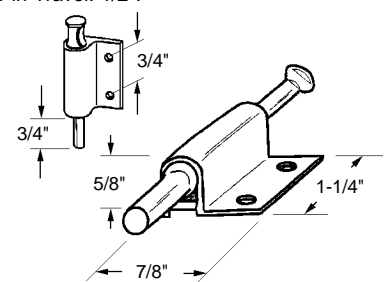
Finish: Aluminum

Unit: Each

Bulk: 25 Pcs.

Used By: Several Manufacturers

•Pin Travel: 1/2".



Push/Pull Sliding Glass Door & Window Lock

Part Number

16-615

Material: Die Cast

Colour: White

Unit: Each

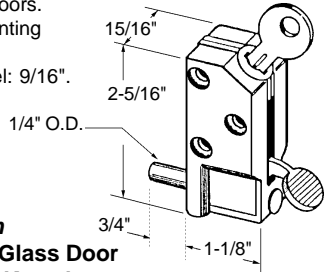
Bulk: 25 Pcs.

Used By: Several Manufacturers

•Key operation helps prevent accidental opening by children. Fits inside or outside sliding doors.

•c/w mounting screws.

•Pin travel: 9/16".



Step-On Sliding Glass Door Lock — Keyed

Part Number

16-610

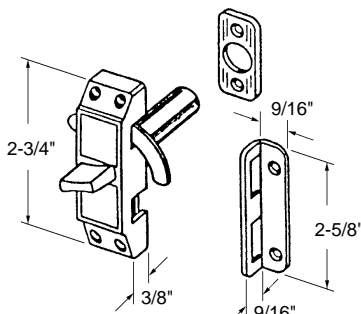
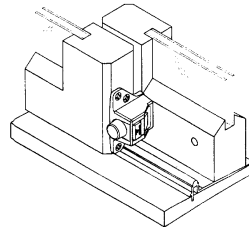
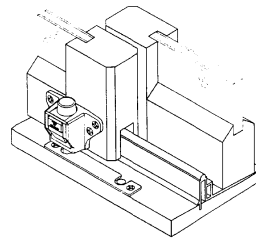
Material: Die Cast with Steel Bolt

Finish: Mill

Unit: Each

Bulk: 25 Pcs.

Used By: Several Manufacturers



Sliding Glass Door Loop Lock — Keyed

Part Number

16-636

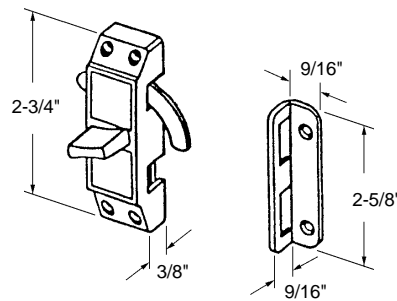
Material: Die Cast

Finish: Aluminum

Unit: Each

Bulk: 10 Pcs.

Used By: Several Manufacturers



Sliding Glass Door Loop Lock

Part Number

16-637

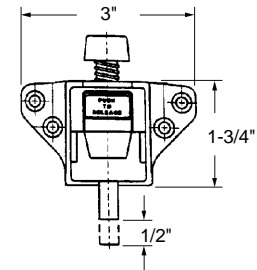
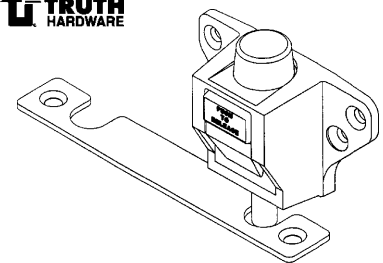
Material: Die Cast

Finish: Aluminum

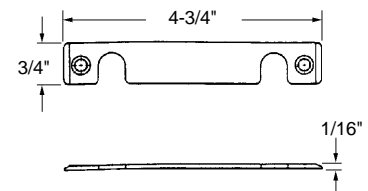
Unit: Each

Bulk: 10 Pcs.

Used By: Several Manufacturers



•Keeper has locking and venting positions.



Secondary Sliding Glass Door Lock & Keeper

Part Number

16-647

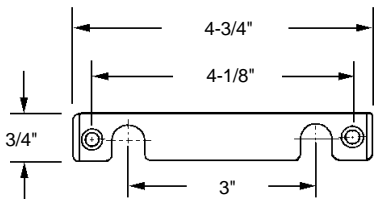
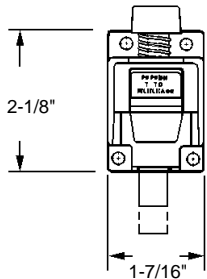
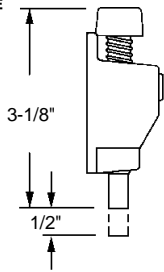
Material: Acetal Body with Steel Bolt

Colour: Brown

Unit: Each

Bulk: 50 Pcs.

Used By: Several Manufacturers



Secondary Sliding Glass Door Lock & Keeper

Part Number

16-649W

Material: Acetal Body with Steel Bolt

Colour: White

Unit: Each Bulk: 20 Pcs.

Used By: Several Manufacturers

Stop Burglars!

Charley-Bar

Get excellent protection for your home against forced entry through your sliding glass door with the *Charley-Bar* safety lock. This simple, yet effective device keeps patio doors from being "jimmied" open by intruders. *Charley-Bars* are easy to install, and give years of reliable service.

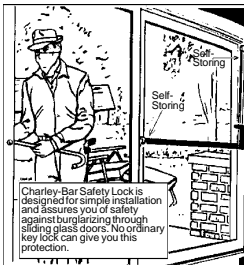
Helps Make Sliding Glass Doors Tamper and Jimmy-Proof!

- Unequaled protection.
- Installs in minutes.
- Will outlast life of door.
- Attractive white aluminum tubing and bracket.

New Improved

A new security feature has been added to the "*Charley-Bar*". We have improved the black plastic saddle to have a key so that the bar cannot be raised from the outside by wires or other devices. This new saddle will also help prevent small children from opening the door from the inside.

Fits Door Panels 28" to 48" Wide



Charley-Bar Sliding Glass Door Safety Lock

Part Number

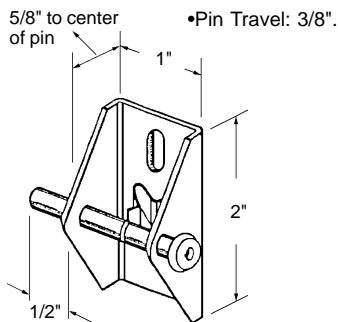
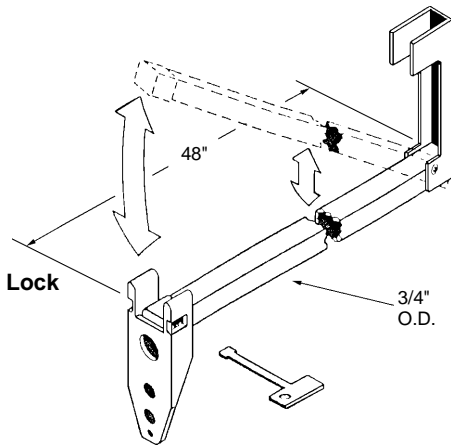
16-620

Material: Aluminum

Colour: White

Unit: Each Bulk: 20 Pcs.

Used By: Several Manufacturers



Push/Pull Sliding Glass Door Lock

Part Number

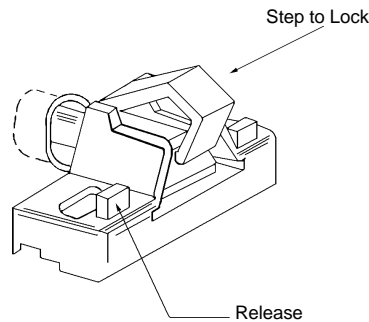
16-617

Material: Steel

Finish: Aluminum

Unit: Each Bulk: 25 Pcs.

Used By: Several Manufacturers



Sliding Glass Door Security Lock

Part Number

Colour

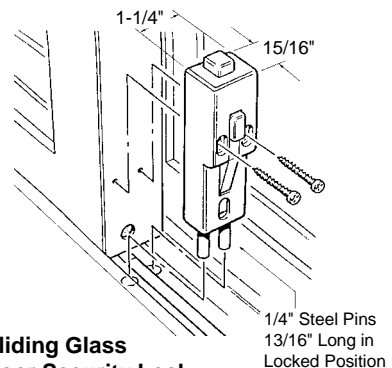
16-625B Brown

16-625W White

Material: Polycarbonate

Unit: Each Bulk: 25 Pcs.

Used By: Several Manufacturers



Sliding Glass Door Security Lock

Part Number

Colour

16-623 White

16-623B Black

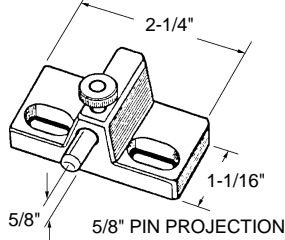
Material: Polycarbonate

Unit: Each Bulk: 20 Pcs.

Used By: Several Manufacturers

SECURITY HARDWARE

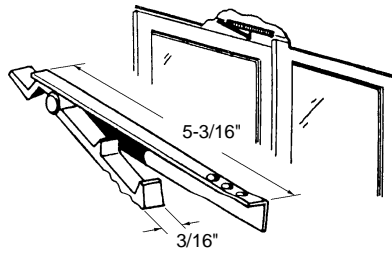
- Secures the sliding glass door in a locked or ventilating position.
- Helps prevent door lift-out.



Sliding Glass Door Plunger Lock — Mitey Lok

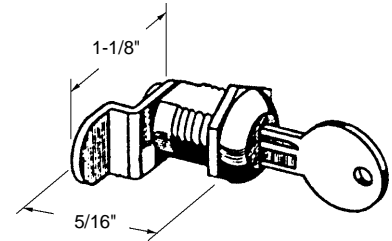


Part Number
16-611
 Material: Die Cast with Steel Bolt
 Finish: Aluminum
 Unit: Each Bulk: 25 Pcs.
 Used By: Several Manufacturers



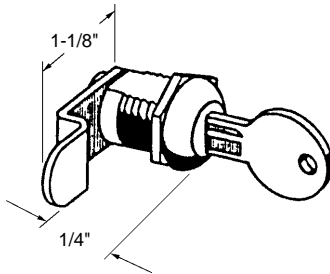
Narrow Leg Window Lock

Part Number
16-621
 Material: Stamped Aluminum
 Finish: Mill
 Unit: Each Bulk: 50 Pcs.
 Used By: Several Manufacturers



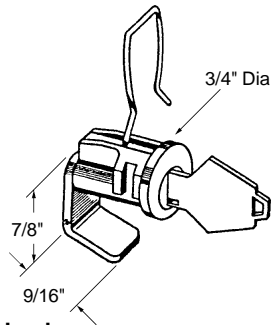
Mail Box Lock — Wafer Type

Part Number
16-641
 Material: Die Cast
 Finish: Nickel & Zinc Plated
 Unit: Each Bulk: 15 Pcs.
 Used By: Several Manufacturers



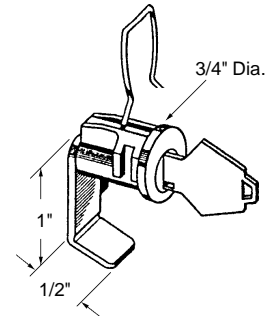
Mail Box Lock — Wafer Type

Part Number
16-642
 Material: Die Cast
 Finish: Nickel & Zinc Plated
 Unit: Each Bulk: 15 Pcs.
 Used By: Several Manufacturers



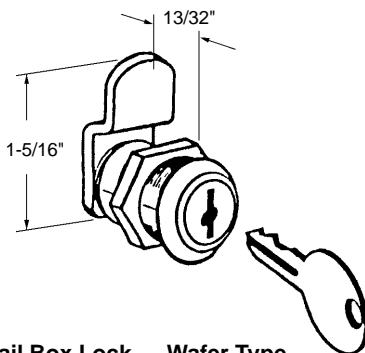
Mail Box Lock

Part Number
16-632
 Material: Die Cast
 Finish: Nickel & Zinc Plated
 Unit: Each Bulk: 15 Pcs.
 Used By: Several Manufacturers



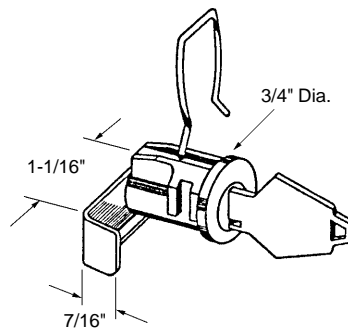
Mail Box Lock

Part Number
16-633
 Material: Die Cast
 Finish: Mill
 Unit: Each Bulk: 15 Pcs.
 Used By: Several Manufacturers



Mail Box Lock — Wafer Type

Part Number
16-644
 Material: Die Cast
 Finish: Mill
 Unit: Each Bulk: 15 Pcs.
 Used By: Several Manufacturers

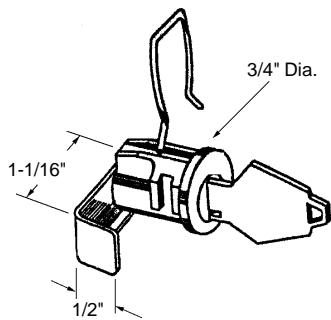


Mail Box Lock

Part Number
16-634
 Material: Die Cast
 Finish: Mill
 Unit: Each Bulk: 15 Pcs.
 Used By: Several Manufacturers

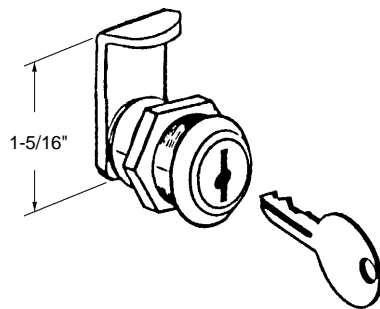
MAIL BOX LOCKS

5-pin tumbler locking units, as originally supplied by most mail box manufacturers, for maximum security. For use on gang-type multiple mail boxes in apartments, commercial malls, office buildings, condominiums, mobile home parks, colleges, industrial parks, mail rooms and residential.



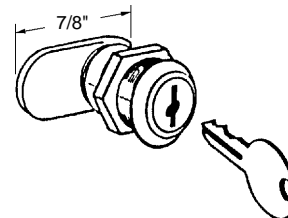
Mail Box Lock

Part Number
16-635
 Material: Die Cast
 Finish: Mill
 Unit: Each Bulk: 15 Pcs.
 Used By: Several Manufacturers



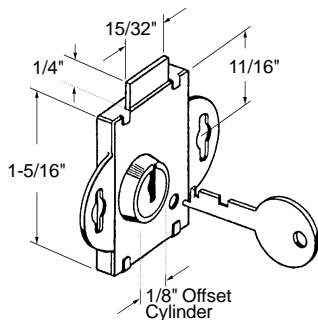
Mail Box Lock — Wafer Type

Part Number
16-645
 Material: Die Cast
 Finish: Mill
 Unit: Each Bulk: 15 Pcs.
 Manufactured By: Several Manufacturers



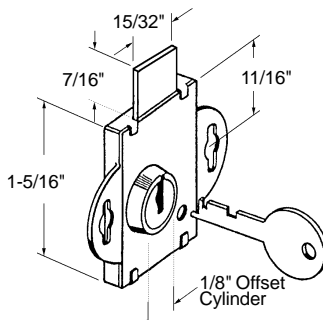
Mail Box Lock — Wafer Type

Part Number
16-643
 Material: Die Cast
 Finish: Mill
 Unit: Each Bulk: 15 Pcs.
 Used By: Several Manufacturers



Mail Box Lock — Short Bolt

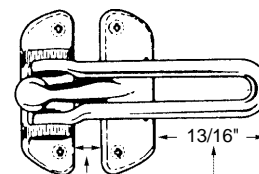
Part Number
16-629
 Material: Steel
 Finish: Brass Plated
 Unit: Each Bulk: 25 Pcs.
 Used By: Several Manufacturers



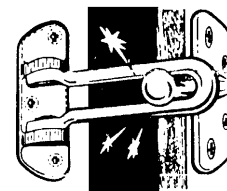
Mail Box Lock — Long Bolt

Part Number
16-630
 Material: Steel
 Finish: Brass Plated
 Unit: Each Bulk: 15 Pcs.
 Used By: Several Manufacturers

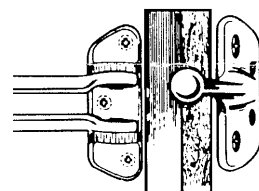
- Strong and outstanding appearance.
- Allows door open while resisting forced entry from outside intruders.
- Simple installation and operation.



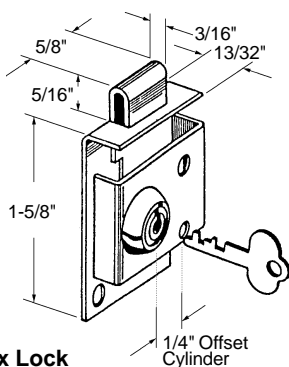
MOUNTING POSITION
(with screws provided)



NOT POSSIBLE TO UNLOCK
FROM OUTSIDE OF THE DOOR



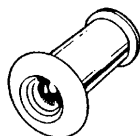
VERY EASY TO UNLOCK
FROM INSIDE OF THE DOOR



Mail Box Lock

Part Number
16-631
 Material: Steel
 Finish: Brass Plated
 Unit: Each Bulk: 15 Pcs.
 Used By: Several Manufacturers

- 180° angle.
- Fits doors 1-3/8" to 2" thick.



Door Viewer

Part Number	Finish
16-607B	Brass
16-607C	Chrome
Material: Metal	
Unit: Each Bulk: 25 Pcs.	
Used By: Several Manufacturers	

High Security Door Guard

Part Number
16-624
 Material: Die Cast Zinc Alloy
 Finish: Aluminum
 Unit: Each Bulk: 20 Pcs.
 Used By: Several Manufacturers

SECURITY HARDWARE

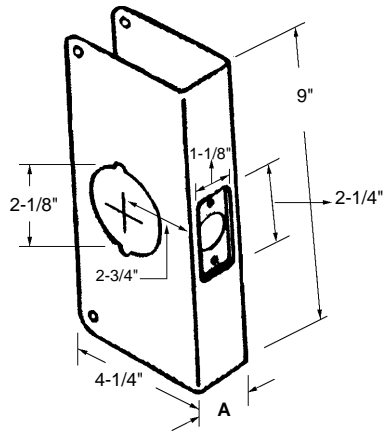
- Backset: 2-3/4"
- For use with: Schlage, Kwik-Set, Weslock, Weiser and other popular locks.
- Easy to install.
- Protects new doors.
- Makes door more jimmy-proof.
- Complete with mounting screws.
- Hides jimmy marks and defacements on old doors.



Lock Reinforcement Kit

Part Number	A (Width)	Material
16-614B	1-3/4"	Brass
16-614S	1-3/4"	Stainless Steel
16-652B	1-3/8"	Brass
16-652S	1-3/8"	Stainless Steel

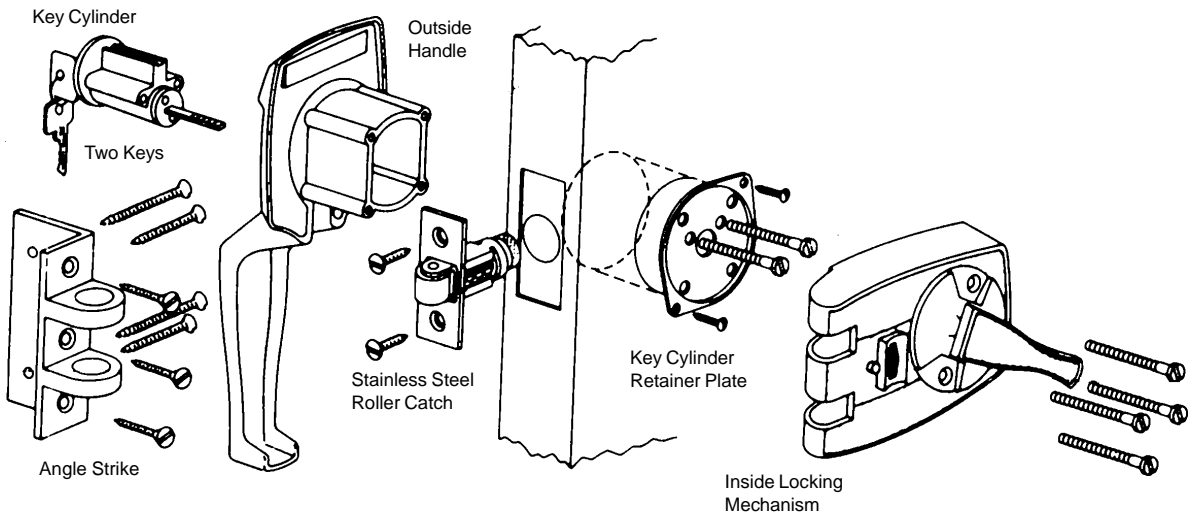
Unit: Each Bulk: 10 Pcs.
Used By: Several Manufacturers



Other sizes available upon request.



- Automatic locking.
- Jimmy proof •Kick proof •Pick proof.
- Eliminates need for auxilliary lock.
- Replaces standard key-in-knob locks.
- The single cylinder model opens from the inside with a turn of a handle.
- Backset: 2-3/8".
- Door thickness: 1-3/8" to 2-1/4".



Super guard Lock III

Part Number
16-665
Material: Metal
Finish: Antique Brass
Unit: Each Bulk: N/A
Manufactured By: Ideal Security