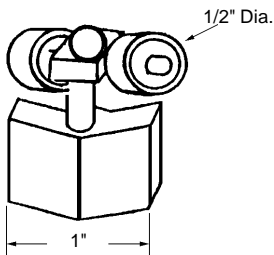


|   |                     |
|---|---------------------|
| <b>Closet Door Rollers &amp; guides .....</b>           | <b>9-2 to 9-12</b>  |
| <b>Closet Door Pivots &amp; Accessories .....</b>       | <b>9-12 to 9-22</b> |
| <b>Closet Door Snuggers .....</b>                       | <b>9-22 to 9-23</b> |
| <b>Closet Door Hinges, Aligners &amp; Bumpers .....</b> | <b>9-23 to 9-24</b> |
| <b>Closet Door Handles, Pulls &amp; Locks .....</b>     | <b>9-24 to 9-25</b> |
| <b>Closet Door Track .....</b>                          | <b>9-25</b>         |

# CLOSET DOOR HARDWARE



**Closet Door Roller**

Part Number

**9-1116**

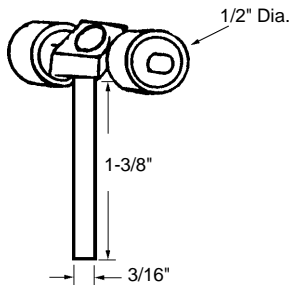
Housing: Plastic

Wheel: Plastic

Unit: Each

Used By: Acme

Bulk: 100 Pcs.



**Closet Door Roller**

Part Number

**9-1118**

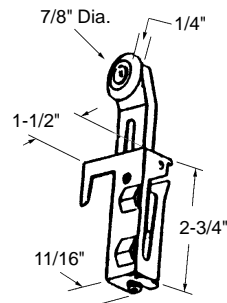
Material: Plastic

Unit: Each

Used By: Acme

Bulk: 100 Pcs.

•Use with 9-1105.



**Closet Door Roller**

Part Number

**9-1104**

Bracket: Metal

Wheel: Plastic

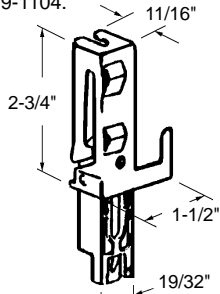
Unit: Pair

Used By: Acme

Bulk: 10 Pair



•Use with 9-1104.



**Closet Door Guides**

Part Number

**9-1105**

Bracket: Metal

Guide: Plastic

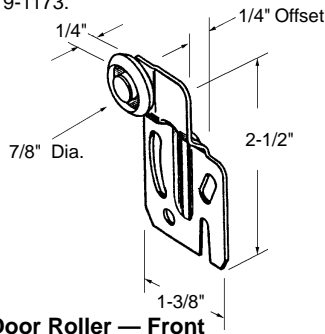
Unit: Pair

Used By: Acme

Bulk: 10 Pair



•Use with 9-1173.



**Closet Door Roller — Front**

Part Number

**9-1161**

Bracket: Metal

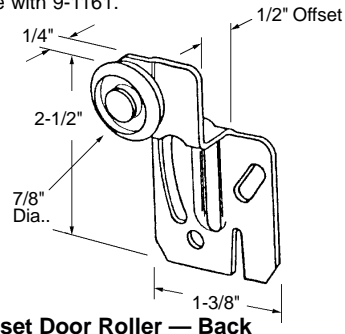
Wheel: Plastic

Unit: Each

Used By: Acme

Bulk: 25 Pcs.

•Use with 9-1161.



**Closet Door Roller — Back**

Part Number

**9-1173**

Bracket: Metal

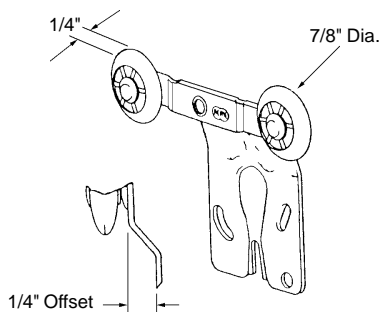
Wheel: Plastic

Unit: Each

Used By: Acme

Bulk: 25 Pcs.

•Use with 9-1175.



**Closet Door Roller — Front**

Part Number

**9-1174**

Bracket: Metal

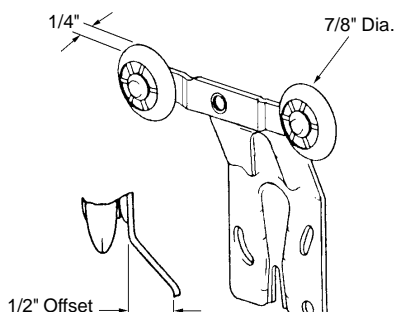
Wheel: Plastic

Unit: Each

Used By: Acme

Bulk: 25 Pcs.

•Use with 9-1174.



**Closet Door Roller — Back**

Part Number

**9-1175**

Bracket: Metal

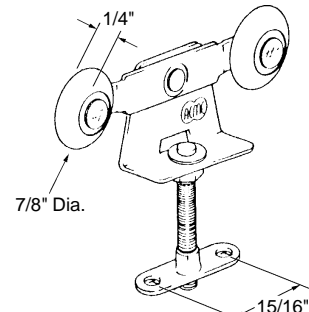
Wheel: Plastic

Unit: Each

Used By: Acme

Bulk: 25 Pcs.

•Use with 9-1186 (page 9-2).



**Closet Door Roller**

Part Number

**9-1185**

Bracket: Metal

Wheel: Plastic

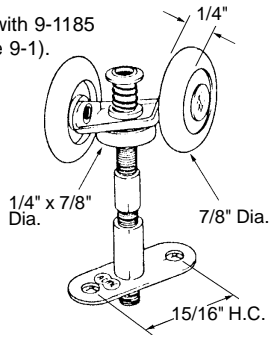
Unit: Each

Used By: Acme

Bulk: 15 Pcs.

# CLOSET DOOR HARDWARE

•Use with 9-1185  
(page 9-1).



## Closet Door Roller

Part Number

**9-1186**

Bracket: Metal

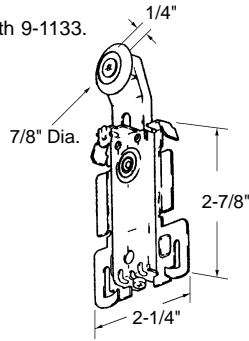
Wheel: Plastic

Unit: Each

Bulk: 10 Pcs.

Used By: Acme

•Use with 9-1133.



## Top Hung Closet Door Rollers

Part Number

**9-1132**

Bracket: Metal

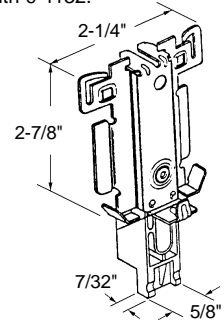
Wheel: Plastic

Unit: Pair

Bulk: 25 Pair

Used By: Acme

•Use with 9-1132.



## Bottom Corner Bracket Guides

Part Number

**9-1133**

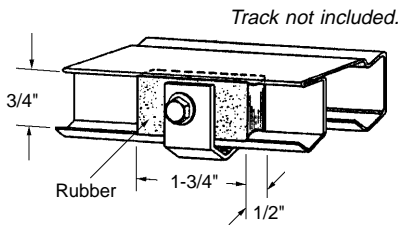
Bracket: Metal

Guide: Plastic

Unit: Pair

Bulk: 25 Pair

Used By: Acme



## Closet Door Roller — Centre Top

Part Number

**9-1221**

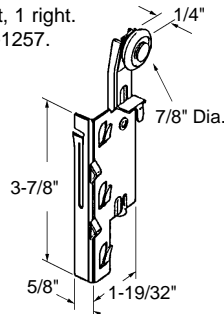
Housing/Bracket: Steel

Unit: Each

Bulk: 10 Pcs.

Used By: Acme

•Pair = 1 left, 1 right.  
•Use with 9-1257.



## Closet Door Top Rollers

Part Number

**9-1256**

Bracket: Metal

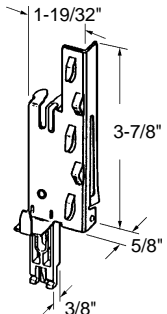
Wheel: Plastic

Unit: Pair

Bulk: 10 Pair

Used By: Acme

•Use with 9-1256.



## Closet Door Bottom Guide & Brackets

Part Number

**9-1257**

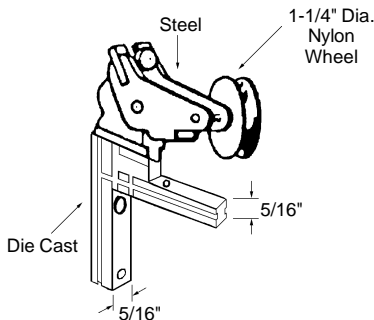
Bracket: Metal

Guide: Plastic

Unit: Pair

Bulk: 10 Pair

Used By: Acme



## Closet Door Roller

Part Number Hand

**9-1136L** Left

**9-1136R** Right

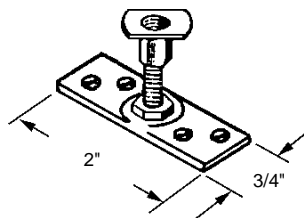
Bracket: Steel/Die Cast

Wheel: Nylon

Unit: Each

Bulk: 10 Pcs.

Used By: Allegro



## Pocket Door Roller Top Mounting Bracket

Part Number

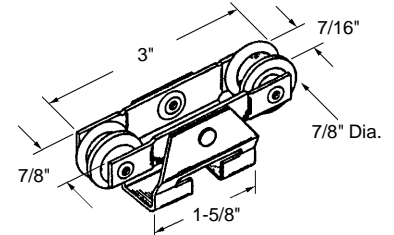
**9-1219**

Bracket: Metal

Unit: Each

Bulk: 25 Pcs.

Used By: Cox



## Pocket Door Roller

Part Number

**9-1218**

Housing/Bracket: Metal

Wheels: Plastic

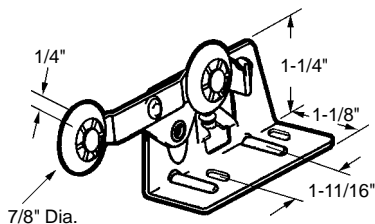
Unit: Each

Bulk: 15 Pcs.

Used By: Cox

# CLOSET DOOR HARDWARE

•For 1-3/8" thick doors up to 75 lbs. each.



## Pocket Door Roller

Part Number

**9-1127**

Bracket: Steel

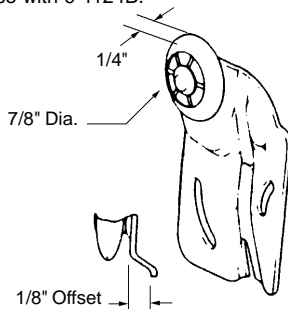
Wheels: Nylon

Unit: Each

Bulk: 25 Pcs.

Used By: Cox

•Use with 9-1124B.



## Closet Door Roller — Front

Part Number

**9-1124F**

Bracket: Metal

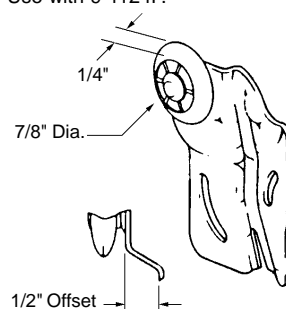
Wheel: Plastic

Unit: Each

Bulk: 25 Pcs.

Used By: Cox

•Use with 9-1124F.



## Closet Door Roller — Back

Part Number

**9-1124B**

Bracket: Metal

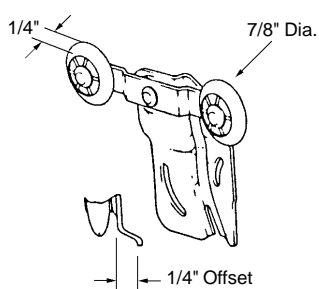
Wheel: Plastic

Unit: Each

Bulk: 25 Pcs.

Used By: Cox

•Use with 9-1125B.



## Closet Door Roller — Front

Part Number

**9-1125F**

Bracket: Metal

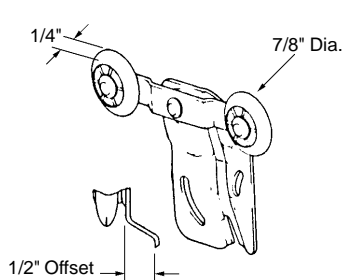
Wheels: Plastic

Unit: Each

Bulk: 25 Pcs.

Used By: Cox

•Use with 9-1125F.



## Closet Door Roller — Back

Part Number

**9-1125B**

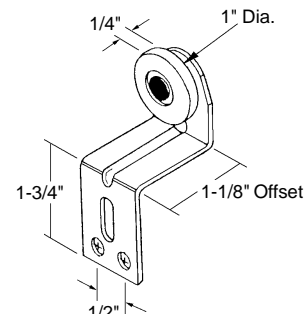
Bracket: Metal

Wheels: Plastic

Unit: Each

Bulk: 25 Pcs.

Used By: Cox



## Closet Door Roller — Back

Part Number

**9-1178**

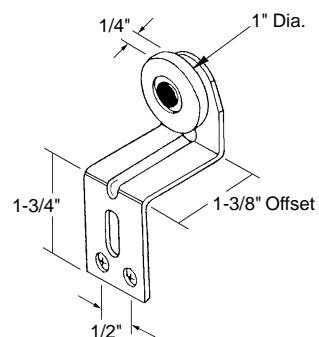
Bracket: Metal

Wheel: Plastic

Unit: Each

Bulk: 25 Pcs.

Used By: Cox



## Closet Door Roller — Back

Part Number

**9-1179**

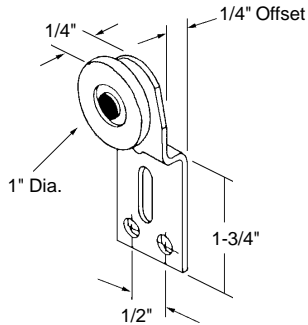
Bracket: Metal

Wheel: Plastic

Unit: Each

Bulk: 25 Pcs.

Used By: Cox



## Closet Door Roller — Front

Part Number

**9-1176**

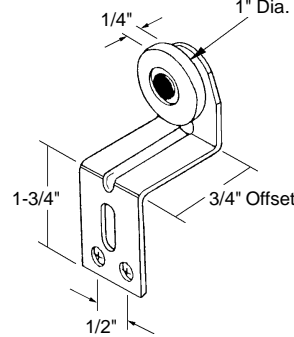
Bracket: Metal

Wheel: Plastic

Unit: Each

Bulk: 25 Pcs.

Used By: Cox



## Closet Door Roller — Back

Part Number

**9-1177**

Bracket: Metal

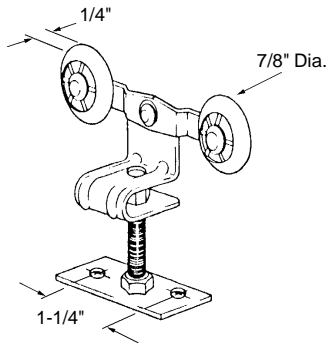
Wheel: Plastic

Unit: Each

Bulk: 25 Pcs.

Used By: Cox

# CLOSET DOOR HARDWARE



## Closet Door Roller

Part Number

**9-1184**

Bracket: Metal

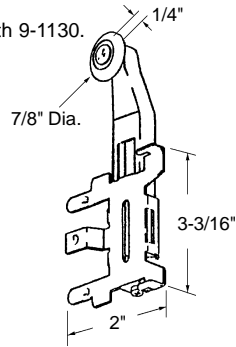
Wheels: Plastic

Unit: Each

Bulk: 15 Pcs.

Used By: Cox

•Use with 9-1130.



## Top Hung Closet Door Rollers

Part Number

**9-1131**

Bracket: Metal

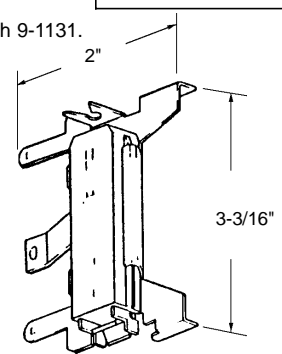
Wheel: Plastic

Unit: Pair

Bulk: 25 Pair

Used By: Cox

•Use with 9-1131.



## Bottom Snap-In Closet Door Corners

Part Number

**9-1130**

Bracket: Metal

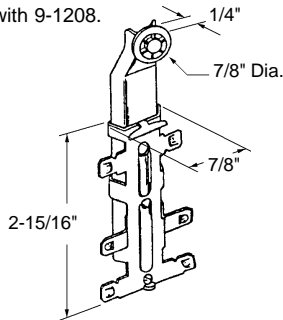
Guide: Plastic

Unit: Pair

Bulk: 25 Pair

Used By: Cox

•Use with 9-1208.



## Closet Door Roller

Part Number

**9-1207**

Bracket: Metal

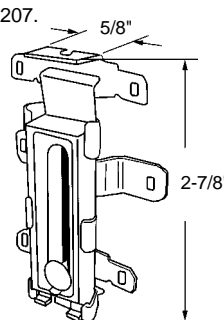
Wheel: Plastic

Unit: Each

Bulk: 25 Pcs.

Used By: Cox

•Use with 9-1207.



## Closet Door Guide

Part Number

**9-1208**

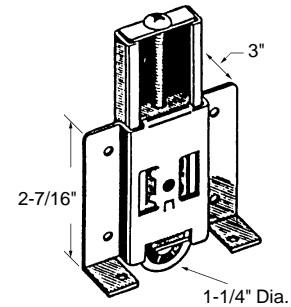
Bracket: Metal

Guide: Plastic

Unit: Each

Bulk: 25 Pcs.

Used By: Cox



## Wardrobe Door Roller

Part Number

**9-1287**

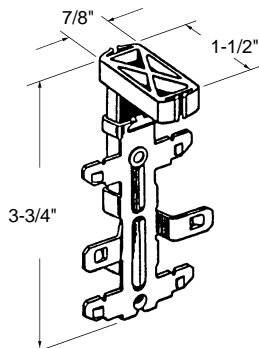
Bracket: Metal

Wheel: Plastic

Unit: Each

Bulk: 25 Pcs.

Used By: Cox



## Wardrobe Door Top Guide

Part Number

**9-1288**

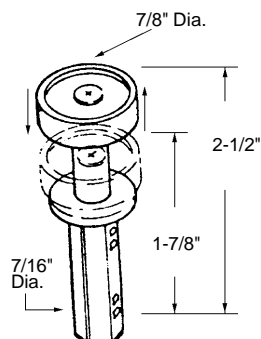
Bracket: Metal

Guide: Plastic

Unit: Each

Bulk: 25 Pcs.

Used By: Cox



## Closet Door Top Guide Wheel

Part Number

**9-1135**

Housing: Plastic

Wheel: Plastic

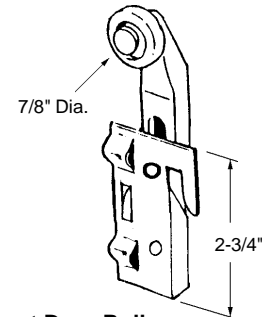
Unit: Each

Bulk: 50 Pcs.

Used By: Cox & Others

•Pair = 1 left, 1 right.

•Use with 9-1102 (page 9-5).



## Closet Door Rollers

Part Number

**9-1100**

Bracket: Metal

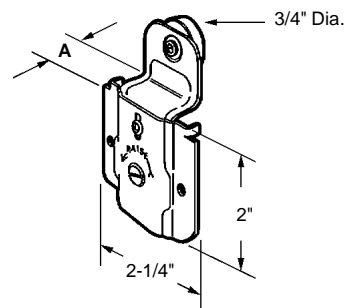
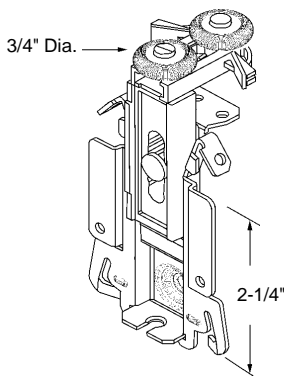
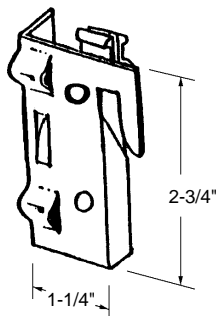
Wheel: Plastic

Unit: Pair

Bulk: 25 Pair

Used By: D.S.H.

# CLOSET DOOR HARDWARE

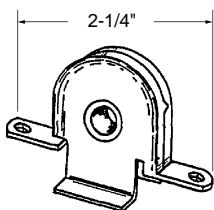


### By-Pass Door Roller

|                |              |              |
|----------------|--------------|--------------|
| Part Number    | Type         | A (Offset)   |
| <b>9-1305F</b> | <b>Front</b> | <b>3/16"</b> |
| <b>9-1305B</b> | <b>Back</b>  | <b>7/16"</b> |

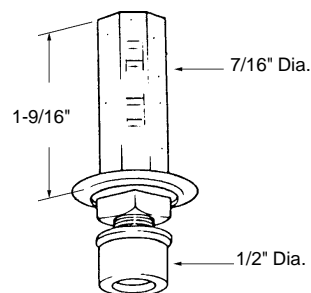
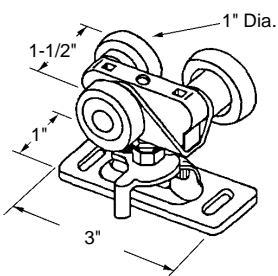
Bracket: Metal  
 Wheel: Plastic  
 Unit: Each      Bulk: 20 Pcs.  
 Used By: Grant (Series 6000 doors.)

•Case: 1-1/4" x 5/16".  
 •Flange: 2-1/4" x 5/16".



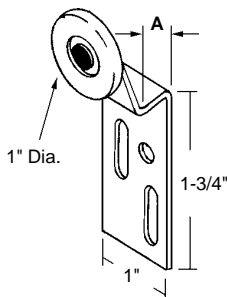
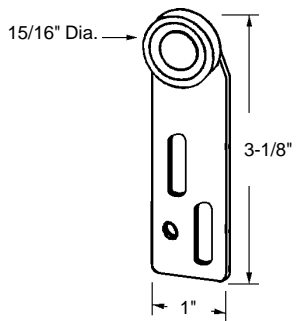
### Round Groove Sheave

Part Number  
**9-1309**  
 Housing: Steel  
 Wheel: Nylon  
 Unit: Each      Bulk: 10 Pcs.  
 Used By: Several Manufacturers

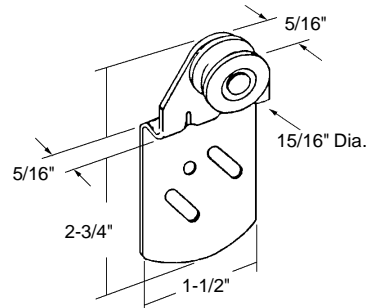


### Closet Door Guide Roller

Part Number  
**9-1191**  
 Material: Metal with Plastic Cap  
 Unit: Each      Bulk: 25 Pcs.  
 Used By: Acme/Cox/Johnson



•Use with 9-1230 (page 9-6).

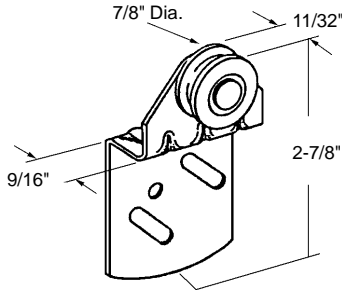


### Closet Door Roller — Front

Part Number  
**9-1229**  
 Bracket: Metal  
 Wheel: Plastic  
 Unit: Each      Bulk: 25 Pcs.  
 Used By: Kennaframe

# CLOSET DOOR HARDWARE

•Use with 9-1229 (page 9-5).



### Closet Door Roller — Back

Part Number

**9-1230**

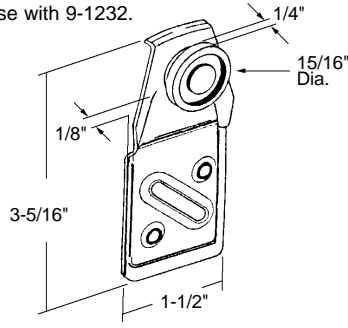
Bracket: Metal

Wheel: Plastic

Unit: Each      Bulk: 25 Pcs.

Used By: Kennaframe

•Use with 9-1232.



### Closet Door Roller — Front

Part Number

**9-1231**

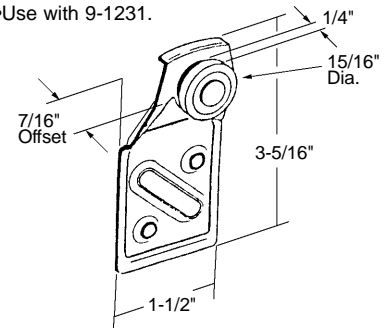
Bracket: Metal

Wheel: Plastic

Unit: Each      Bulk: 25 Pcs.

Used By: Kennaframe

•Use with 9-1231.



### Closet Door Roller — Back

Part Number

**9-1232**

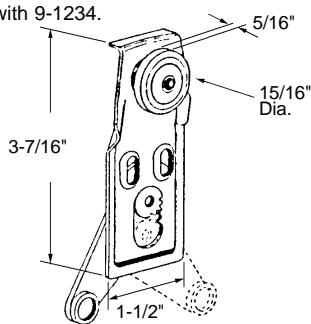
Bracket: Metal

Wheel: Plastic

Unit: Each      Bulk: 25 Pcs.

Used By: Kennaframe

•Use with 9-1234.



### Closet Door Roller — Front

Part Number

**9-1233**

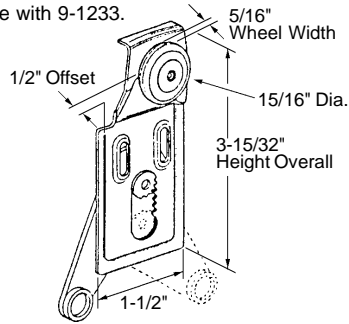
Bracket: Metal

Wheel: Plastic

Unit: Each      Bulk: 25 Pcs.

Used By: Kennaframe

•Use with 9-1233.



### Closet Door Roller — Back

Part Number

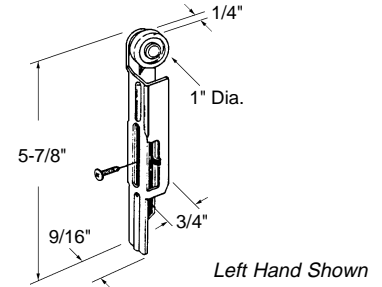
**9-1234**

Bracket: Metal

Wheel: Plastic

Unit: Each      Bulk: 25 Pcs.

Used By: Kennaframe



### Top Hung Closet Door Roller

Part Number      Hand

**9-1165L**      **Left**

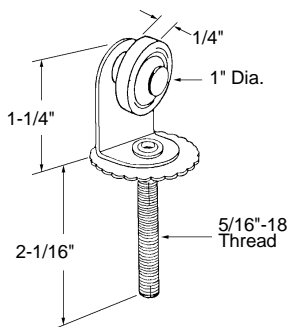
**9-1165R**      **Right**

Bracket: Metal

Wheel: Plastic

Unit: Each      Bulk: 25 Pcs.

Used By: Like



### Closet Door Roller

Part Number

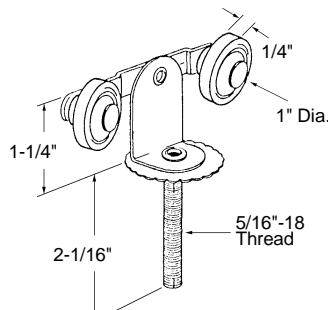
**9-1182**

Bracket: Metal

Wheel: Plastic

Unit: Each      Bulk: 25 Pcs.

Used By: Like



### Closet Door Roller

Part Number

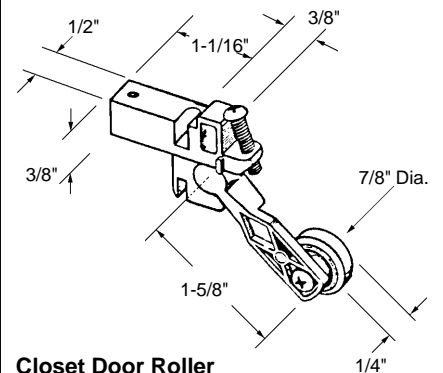
**9-1183**

Bracket: Metal

Wheels: Plastic

Unit: Each      Bulk: 25 Pcs.

Used By: Like



### Closet Door Roller

Part Number

**9-1293**

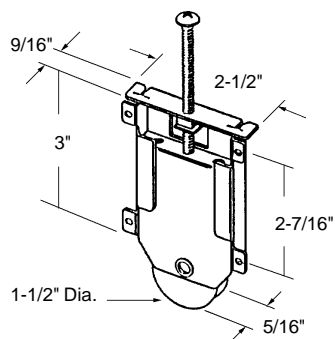
Housing: Die Cast

Wheel: Nylon Ball Bearing

Unit: Each      Bulk: 25 Pcs.

Used By: Miller

# CLOSET DOOR HARDWARE



**Bottom Closet Door Roller**

Part Number

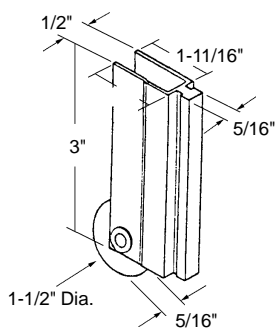
**9-1128**

Housing: Metal

Wheel: Plastic

Unit: Each Bulk: 15 Pcs.

Used By: Monarch/Contractors



**Closet Door Roller**

Part Number

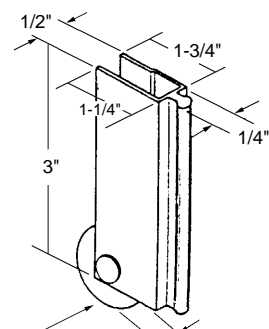
**9-1204**

Housing: Aluminum

Wheel: Plastic

Unit: Each Bulk: 15 Pcs.

Used By: Monarch



**Closet Door Roller**

Part Number

**9-1205**

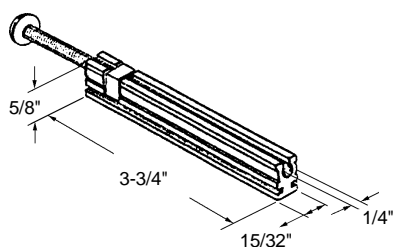
Housing: Aluminum

Wheel: Plastic

Unit: Each Bulk: 15 Pcs.

Used By: Monarch

•Used with 9-1205 (on this page).



**Mirror Door Roller Mounting Bracket**

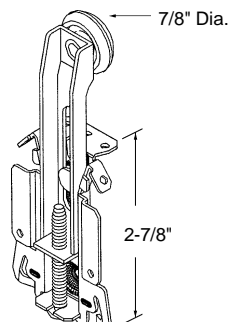
Part Number

**9-1220**

Housing: Extruded Aluminum

Unit: Each Bulk: 25 Pcs.

Used By: Monarch



**By-Pass Top Roller**

Part Number

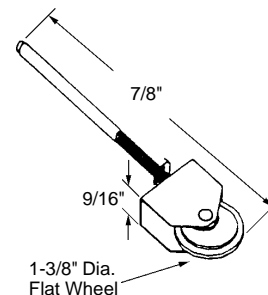
**9-1245**

Bracket: Metal

Wheel: Plastic

Unit: Each Bulk: 25 Pcs.

Used By: Slimfold



**By-Pass Bottom Roller**

Part Number

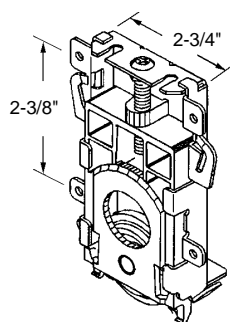
**9-1246**

Housing: Metal

Wheel: Plastic

Unit: Each Bulk: 20 Pcs.

Used By: Slimfold



**By-Pass Bottom Roller**

Part Number

**9-1254**

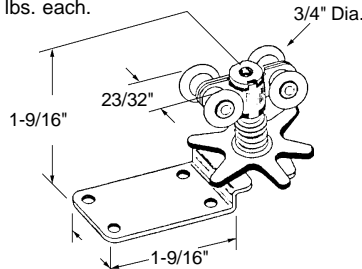
Housing/Bracket: Metal

Wheel: Plastic

Unit: Each Bulk: 10 Pcs.

Used By: Slimfold

- Spring loaded.
- Adjustable up to 3/8" height.
- For pocket doors 1" to 1-3/4" thick up to 100 lbs. each.



**Pocket Door Roller Assembly**

Part Number

**9-1297**

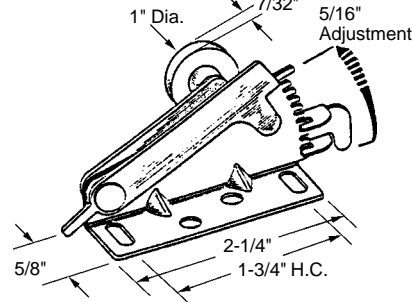
Bracket: Steel

Wheels: Nylon (4)

Unit: Each Bulk: 5 Pcs.

Used By: Several Manufacturers

- For pocket doors 1" to 1-3/4" thick up to 75 lbs. each.



**Pocket Door Roller Assembly**

Part Number

**9-1298**

Bracket: Steel

Wheel: Nylon

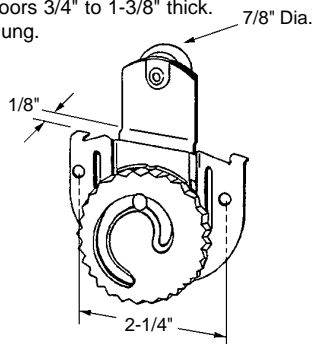
Unit: Each Bulk: 5 Pcs.

Used By: Several Manufacturers



# CLOSET DOOR HARDWARE

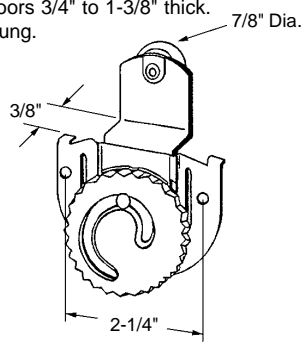
- For doors 3/4" to 1-3/8" thick.
- Top hung.



**Closet Door Roller — Front**

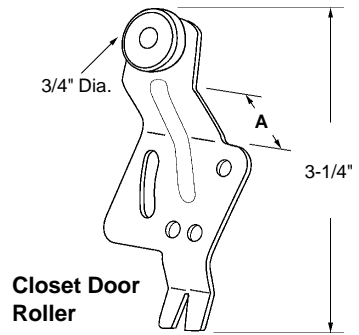
Part Number  
**9-1268F**  
 Bracket: Stamped Steel  
 Wheel: Nylon  
 Unit: Each      Bulk: 20 Pcs.  
 Used By: Several Manufacturers

- For doors 3/4" to 1-3/8" thick.
- Top hung.



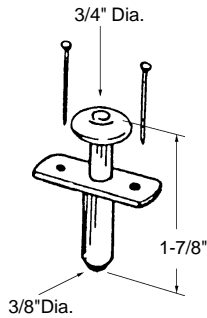
**Closet Door Roller — Back**

Part Number  
**9-1268B**  
 Bracket: Stamped Steel  
 Wheel: Nylon  
 Unit: Each      Bulk: 20 Pcs.  
 Used By: Several Manufacturers



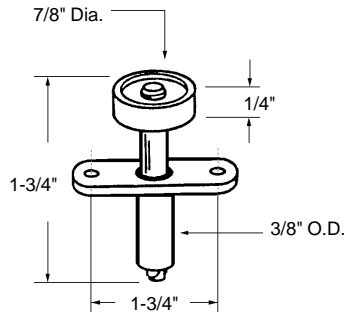
**Closet Door Roller**

Part Number      A (Offset)  
**9-1302**            **1/4" Offset**  
**9-1303**            **1/2" Offset**  
 Bracket: Metal  
 Wheel: Nylon  
 Unit: Each      Bulk: 25 Pcs.  
 Used By: Several Manufacturers



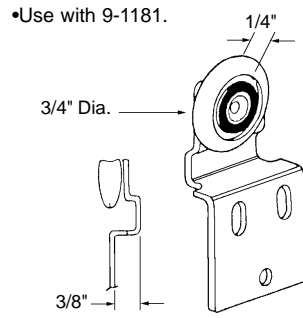
**Closet Door Guide Roller**

Part Number  
**9-1120**  
 Bracket: Metal  
 Wheel: Nylon  
 Unit: Each      Bulk: 25 Pcs.  
 Used By: Several Manufacturers



**Closet Door Guide Roller**

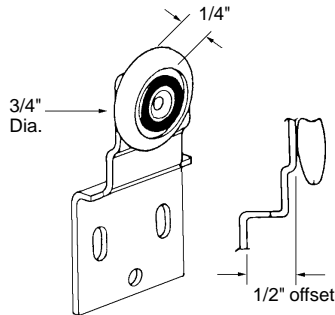
Part Number  
**9-1121**  
 Bracket: Metal  
 Wheel: Nylon  
 Unit: Each      Bulk: 25 Pcs.  
 Used By: Several Manufacturers



**Closet Door Roller — Front**

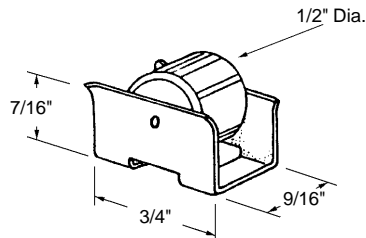
Part Number  
**9-1180**  
 Bracket: Metal  
 Wheel: Nylon  
 Unit: Each      Bulk: 25 Pcs.  
 Used By: Several Manufacturers

- Use with 9-1180.



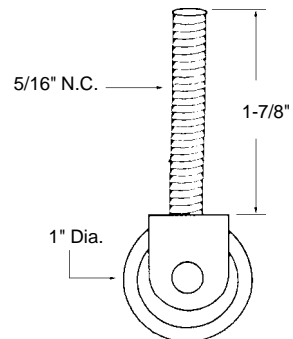
**Closet Door Roller — Back**

Part Number  
**9-1181**  
 Bracket: Metal  
 Wheel: Nylon  
 Unit: Each      Bulk: 25 Pcs.  
 Used By: Several Manufacturers



**Closet Door Roller with Brass Base**

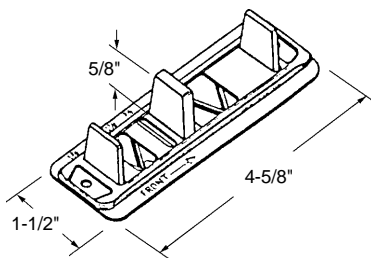
Part Number  
**9-1129**  
 Housing: Brass  
 Wheel: Stainless Steel  
 Unit: Each      Bulk: 25 Pcs.  
 Used By: Several Manufacturers



**Closet Door Roller**

Part Number  
**9-1294**  
 Housing: Metal  
 Wheel: Steel Ball Bearing  
 Unit: Each      Bulk: 25 Pcs.  
 Used By: Several Manufacturers

# CLOSET DOOR HARDWARE



## Closet Door Bottom Guide

Part Number

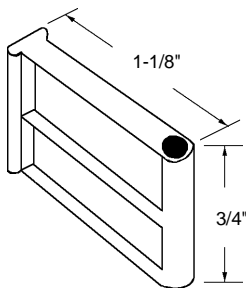
**9-1109**

Material: Aluminum/Plastic

Unit: Each

Bulk: 25 Pcs.

Used By: Acme



## By-Pass Threshold Guide

Part Number

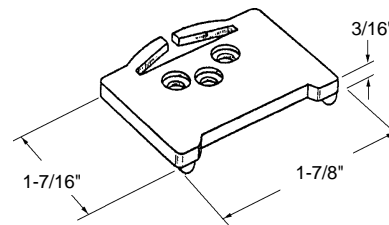
**9-1172**

Material: Plastic

Unit: Each

Bulk: 25 Pcs.

Used By: Allegro



## Sliding Mirror Door Top Guide

Part Number

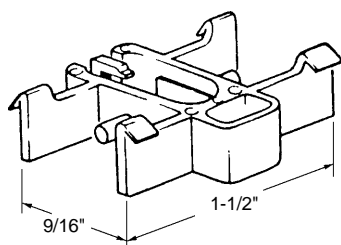
**9-1255**

Material: Nylon

Unit: Each

Bulk: 25 Pcs.

Used By: Contractors Wardrobe Doors



## Closet Door Guide

Part Number

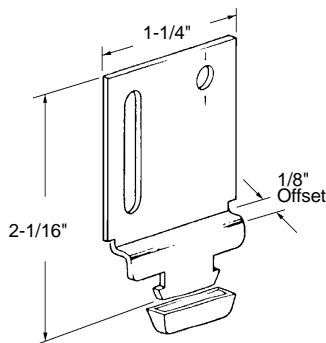
**9-1198**

Material: Nylon

Unit: Each

Bulk: 25 Pcs.

Used By: Cox



## Closet Door Threshold Guide

Part Number

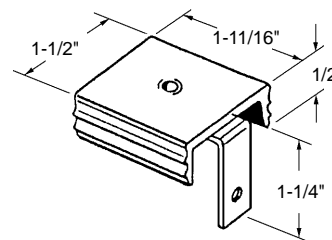
**9-1187**

Bracket: Steel with Nylon Tip

Unit: Each

Bulk: 25 Pcs.

Used By: Cox



## Sliding Mirror Door Guide

Part Number

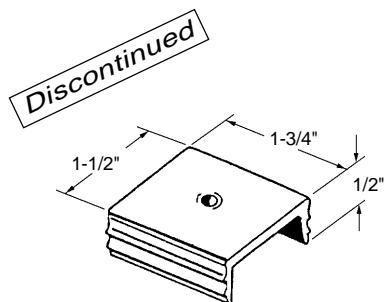
**9-1211**

Material: Plastic

Unit: Each

Bulk: 25 Pcs.

Used By: Monarch



## Sliding Mirror Door Guide

Part Number

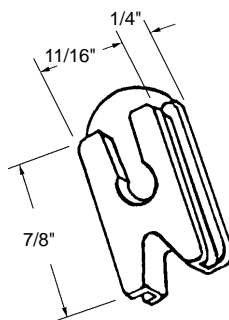
**9-1203**

Material: Plastic

Unit: N/A

Used By: Monarch

•Replacement: 9-1211 (on this page).



## Bi-Fold Door Top Guide

Part Number

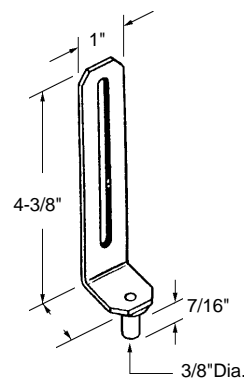
**9-1122**

Material: Nylon

Unit: Each

Bulk: 100 Pcs.

Used By: Monarch



## Bi-Fold Bottom Guide

Part Number

**9-1112**

Material: Steel with Plastic Bushing

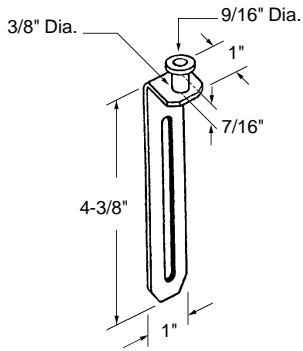
Unit: Each

Bulk: 25 Pcs.

Used By: Roberts



# CLOSET DOOR HARDWARE



## Bi-Fold Top Guide

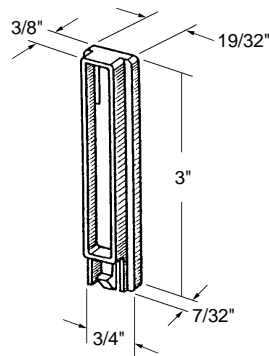
Part Number

**9-1113**

Material: Steel with Plastic Bushing

Unit: Each Bulk: 25 Pcs.

Used By: Roberts



## Closet Door Guide

Part Number

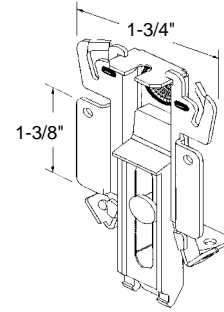
**9-1209**

Material: Nylon

Unit: Each Bulk: 25 Pcs.

Used By: Roberts

•Hole mount: 1-1/2"  $\phi$  to  $\phi$ .



## By-Pass Bottom Guide

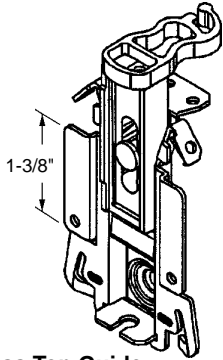
Part Number

**9-1252**

Material: Metal/Plastic

Unit: Each Bulk: 25 Pcs.

Used By: Slimfold



## By-Pass Top Guide

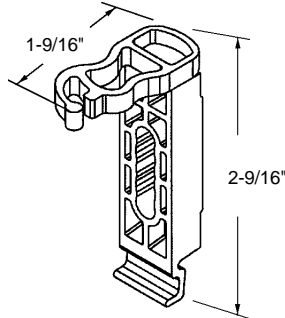
Part Number

**9-1250**

Material: Metal/Plastic

Unit: Each Bulk: 25 Pcs.

Used By: Slimfold



## By-Pass Top Guide Replacement for Top Guide 9-1250

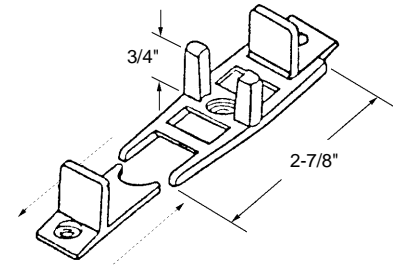
Part Number

**9-1251**

Material: Metal/Plastic

Unit: Each Bulk: 25 Pcs.

Used By: Slimfold



## Closet Door Guide

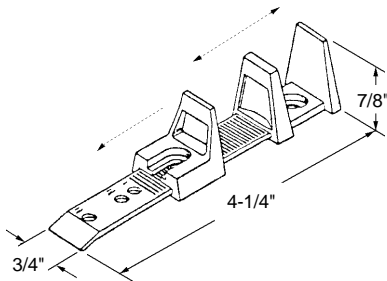
Part Number

**9-1192**

Material: Nylon

Unit: Each Bulk: 25 Pcs.

Used By: Several Manufacturers



## Self-Adjusting Closet Door Guide

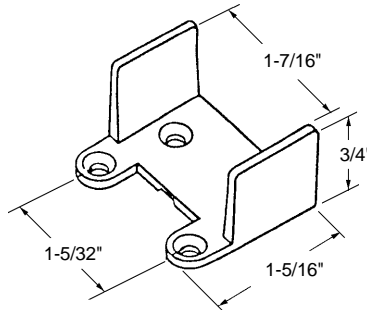
Part Number

**9-1193**

Material: Nylon

Unit: Each Bulk: 25 Pcs.

Used By: Several Manufacturers



## Closet Door Guide

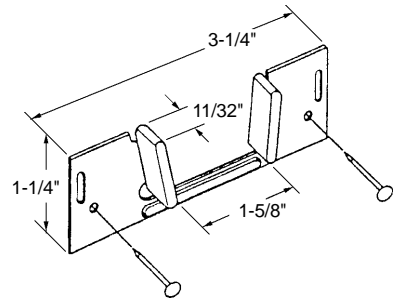
Part Number

**9-1194**

Material: Nylon

Unit: Each Bulk: 25 Pcs.

Used By: Several Manufacturers



## Pocket Door Guide

Part Number

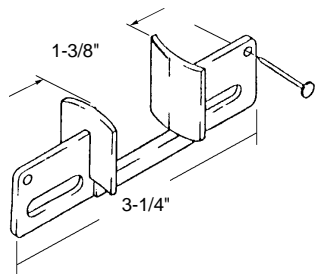
**9-1195**

Bracket: Steel with Nylon Tips

Unit: Each Bulk: 25 Pcs.

Used By: Several Manufacturers

# CLOSET DOOR HARDWARE



## Pocket Door Guide

Part Number

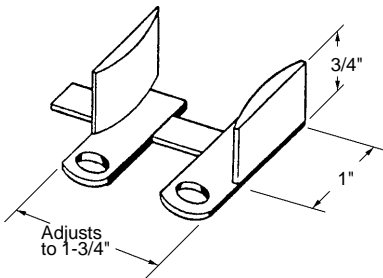
**9-1197**

Material: Nylon

Unit: Each

Bulk: 25 Pcs.

Used By: Several Manufacturers



## Closet Door Bottom Guide

Part Number

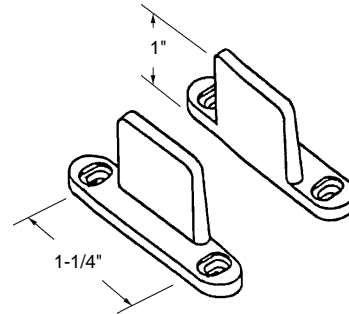
**9-1210**

Material: Nylon

Unit: Each

Bulk: 25 Pcs.

Used By: Several Manufacturers



## Closet Door Guides

Part Number

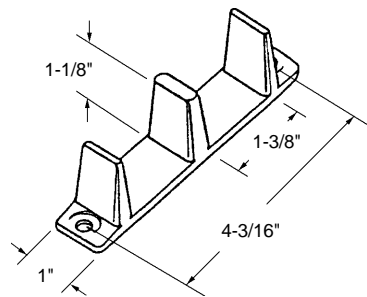
**9-1119**

Material: Nylon

Unit: Pair

Bulk: 25 Pair

Used By: Several Manufacturers



## Closet Door Guide

Part Number

**9-1170**

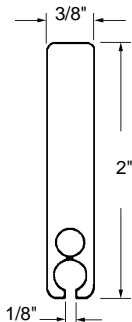
Material: Nylon

Unit: Each

Bulk: 25 Pcs.

Used By: Several Manufacturers

•Thickness: 3/8".



## Closet Door Guide

Part Number

**9-1295**

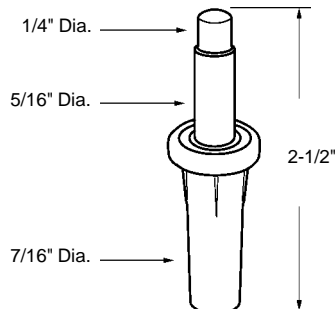
Material: Nylon

Unit: Each

Bulk: 25 Pcs.

Used By: Several Manufacturers

•Pivot pin cap separate, 9-1106B (this page).



## Closet Door Top Pivot

Part Number

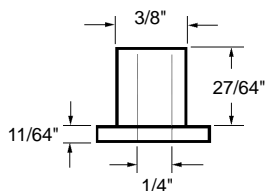
**9-1106**

Material: Plastic

Unit: Each

Bulk: 100 Pcs.

Used By: Cox



## Pivot Pin Cap

Part Number

**9-1106B**

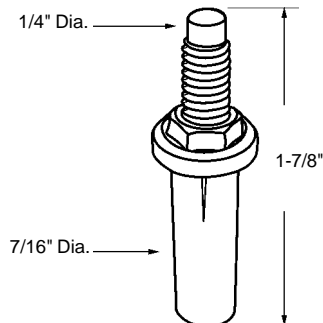
Material: Nylon

Unit: Each

Bulk: 25 Pcs.

Used By: Cox

•Pivot bracket separate, 9-1115 (this page).



## Closet Door Bottom Pivot

Part Number

**9-1114**

Material: Plastic

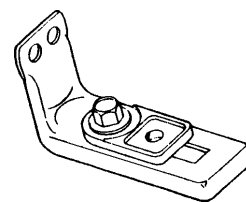
Unit: Each

Bulk: 25 Pcs.

Used By: Cox



•Use with pivot 9-1114 (this page).



## Closet Door Bottom Pivot Bracket

Part Number

**9-1115**

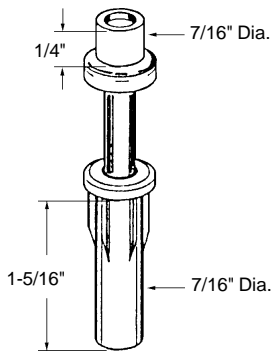
Material: Steel

Unit: Each

Bulk: 25 Pcs.

Used By: Cox

# CLOSET DOOR HARDWARE



## Bi-Fold Door Pivot & Guide

Part Number

**9-1226**

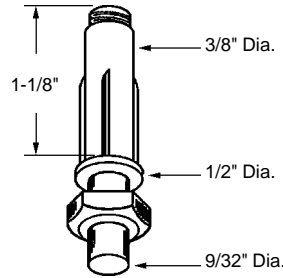
Material: Nylon

Unit: Each

Bulk: 25 Pcs.

Used By: Johnson

•Goes with bracket 9-1273 (this page).



## Adjustable Pivot Pin

Part Number

**9-1307**

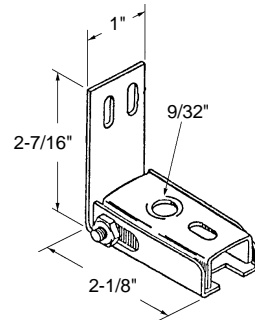
Material: Metal/Nylon Base

Unit: Each

Bulk: 25 Pcs.

Used By: Kennaframe

•Goes with pivot 9-1307 (this page).



## Bi-Fold Door Bottom Pivot Bracket

Part Number

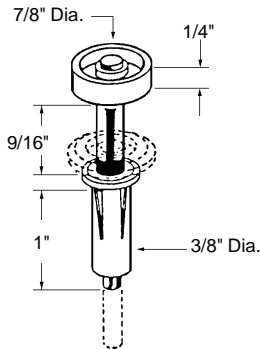
**9-1273**

Material: Metal

Unit: Each

Bulk: 25 Pcs.

Used By: Kennaframe



## Bi-Fold Door Top Pivot Guide

Part Number

**9-1228**

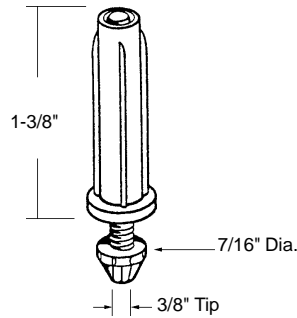
Material: Nylon

Unit: Each

Bulk: 25 Pcs.

Used By: Kennaframe

•Bracket separate, 9-1108.



## Closet Door Bottom Pivot

Part Number

**9-1110**

Material: Nylon

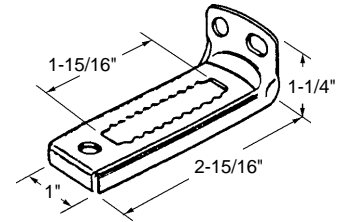
Unit: Each

Bulk: 25 Pcs.

Used By: Several Manufacturers



•Used with pivot 9-1110.



## Closet Door Bottom Pivot Bracket

Part Number

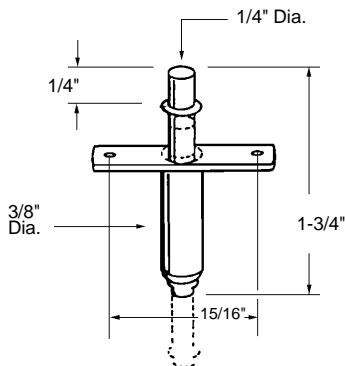
**9-1108**

Material: Stamped Steel

Unit: Each

Bulk: 25 Pcs.

Used By: Several Manufacturers



## Closet Door Pivot

Part Number

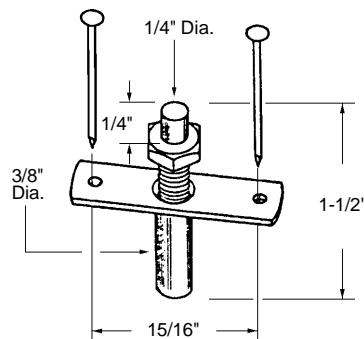
**9-1123**

Material: Steel

Unit: Each

Bulk: 25 Pcs.

Used By: Several Manufacturers



## Closet Door Pivot

Part Number

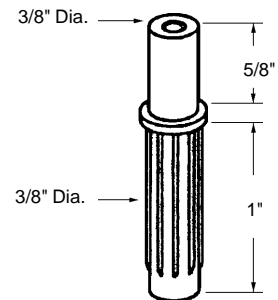
**9-1126**

Material: Steel

Unit: Each

Bulk: 25 Pcs.

Used By: Several Manufacturers



## Bi-Fold Door Top Pivot & Guide

Part Number

**9-1222**

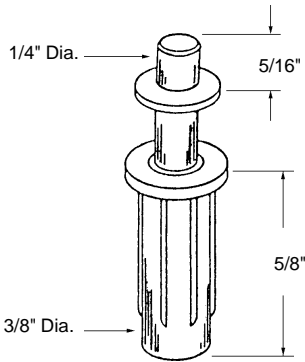
Material: Nylon

Unit: Each

Bulk: 25 Pcs.

Used By: Several Manufacturers

# CLOSET DOOR HARDWARE



**Bi-Fold Door Top Pivot**

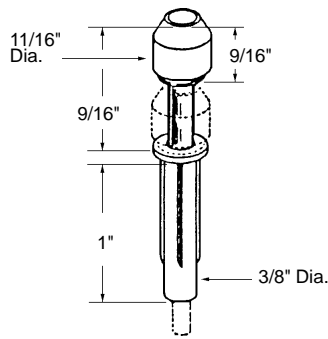
Part Number

**9-1225**

Material: Steel/Plastic

Unit: Each Bulk: 25 Pcs.

Used By: Several Manufacturers



**Bi-Fold Door Top Pivot Guide**

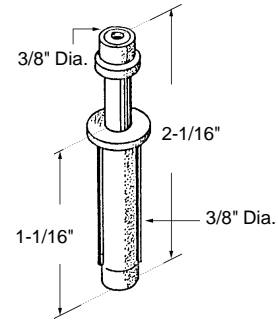
Part Number

**9-1227**

Material: Steel/Plastic

Unit: Each Bulk: 25 Pcs.

Used By: Several Manufacturers



**Bi-Fold Door Top Pivot Guide**

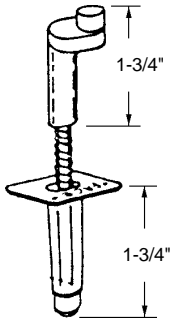
Part Number

**9-1264**

Material: Nylon

Unit: Each Bulk: 25 Pcs.

Used By: Several Manufacturers



**Bi-Fold Door Top Pivot Pin**

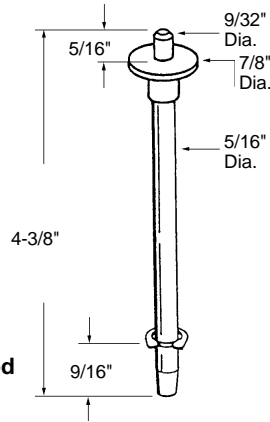
Part Number

**9-1296**

Material: Plastic

Unit: Each Bulk: 25 Pcs.

Used By: Several Manufacturers



**Bi-Fold Door Top Pivot Rod**

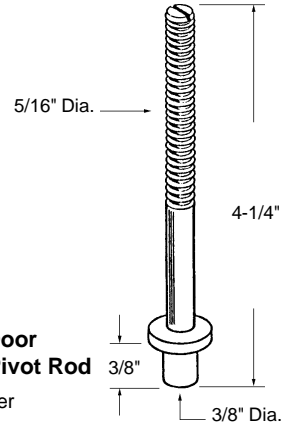
Part Number

**9-1244**

Material: Steel Rod/Nylon Cap

Unit: Each Bulk: 25 Pcs.

Used By: Fenestra



**Bi-Fold Door Bottom Pivot Rod**

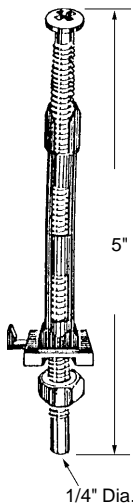
Part Number

**9-1247**

Material: Steel Rod/Nylon Cap

Unit: Each Bulk: 25 Pcs.

Used By: Fenestra



**Bi-Fold Door Bottom Pivot Rod**

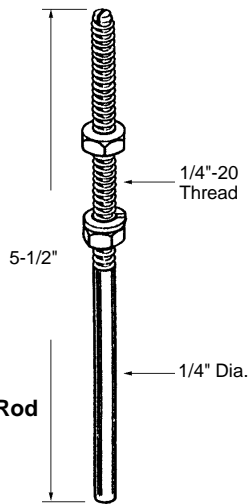
Part Number

**9-1260**

Material: Steel/Plastic

Unit: Each Bulk: 25 Pcs.

Used By: Float Away



**Bi-Fold Door Bottom Pivot Rod**

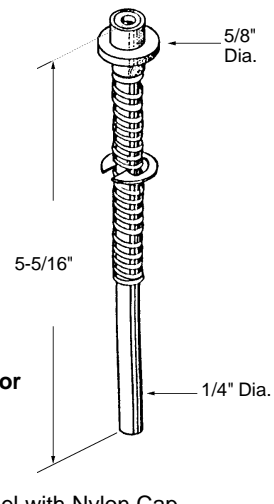
Part Number

**9-1249**

Material: Steel

Unit: Each Bulk: 15 Pcs.

Used By: Leigh



**Bi-Fold Door Guide Rod**

Part Number

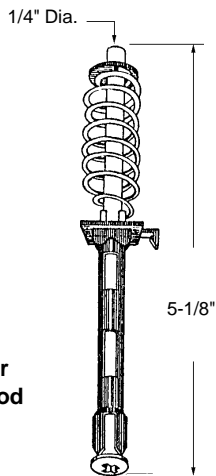
**9-1274**

Material: Steel with Nylon Cap

Unit: Each Bulk: 25 Pcs.

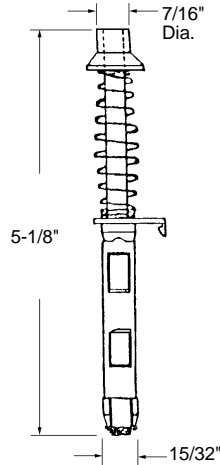
Used By: Leigh

# CLOSET DOOR HARDWARE



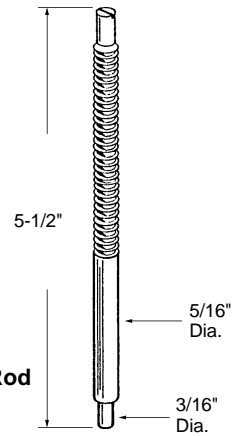
**Bi-Fold Door  
Top Pivot Rod**

Part Number  
**9-1261**  
Material: Steel/Plastic  
Unit: Each      Bulk: 25 Pcs.  
Used By: Float Away



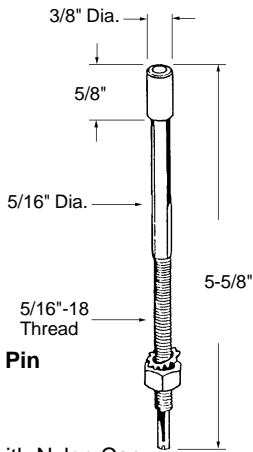
**Bi-Fold Door  
Pivot Pin**

Part Number  
**9-1147**  
Material: Steel with Nylon Cap  
Unit: Each      Bulk: 25 Pcs.  
Used By: Float Away



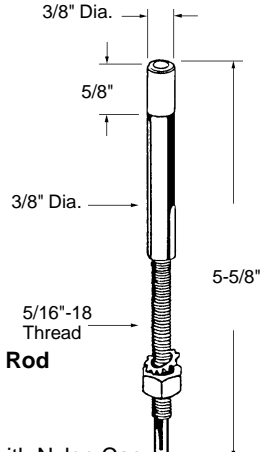
**Bi-Fold Door  
Bottom Pivot Rod**

Part Number  
**9-1243**  
Material: Steel  
Unit: Each      Bulk: 25 Pcs.  
Used By: Kinhead



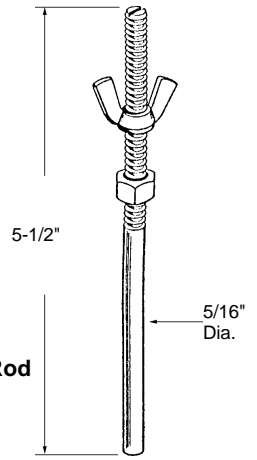
**Bi-Fold Door  
Bottom Guide Pin**

Part Number  
**9-1272**  
Material: Steel with Nylon Cap  
Unit: Each      Bulk: 25 Pcs.  
Used By: Kinhead



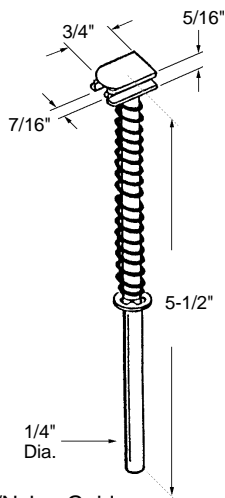
**Bi-Fold Door  
Bottom Guide Rod**

Part Number  
**9-1276**  
Material: Steel with Nylon Cap  
Unit: Each      Bulk: 25 Pcs.  
Used By: Kinhead



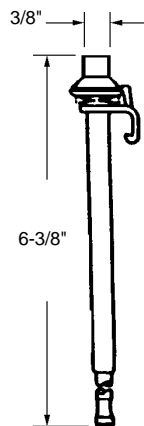
**Bi-Fold Door  
Bottom Pivot Rod**

Part Number  
**9-1242**  
Material: Steel  
Unit: Each      Bulk: 25 Pcs.  
Used By: Leigh



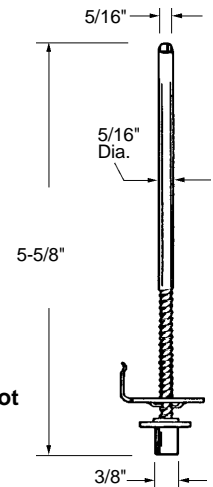
**Bi-Fold Door  
Guide Rod**

Part Number  
**9-1248**  
Material: Steel/Nylon Guide  
Unit: Each      Bulk: 25 Pcs.  
Used By: Leigh



**Closet Door Pivot**

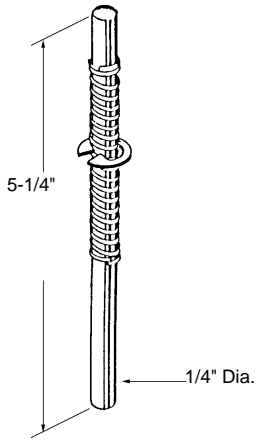
Part Number  
**9-1103**  
Material: Steel Rod/Plastic Tube/Nylon Cap  
Unit: Each      Bulk: 50 Pcs.  
Used By: Slimfold



**Closet Door Pivot**

Part Number  
**9-1117**  
Material: Steel  
Unit: Each      Bulk: 25 Pcs.  
Used By: Slimfold

# CLOSET DOOR HARDWARE



**Bi-Fold Door Top Pivot Rod**

Part Number

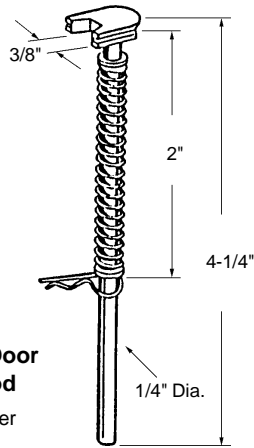
**9-1275**

Material: Steel

Unit: Each

Used By: Leigh

Bulk: 25 Pcs.



**Bi-Fold Door Guide Rod**

Part Number

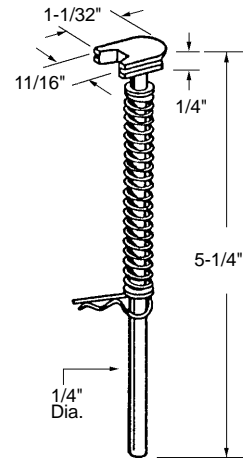
**9-1283**

Material: Steel/Nylon Guide

Unit: Each

Used By: Leigh

Bulk: 25 Pcs.



**Bi-Fold Door Guide Rod**

Part Number

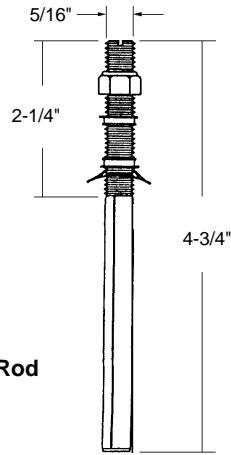
**9-1164**

Material: Steel/Nylon Guide

Unit: Each

Used By: Leigh

Bulk: 25 Pcs.



**Bi-Fold Door Bottom Pivot Rod**

Part Number

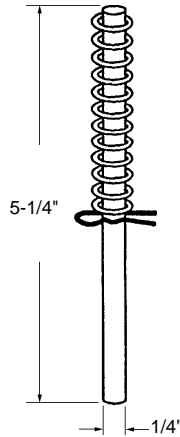
**9-1281**

Material: Steel

Unit: Each

Used By: Monarch

Bulk: 25 Pcs.



**Bi-Fold Door Top Pivot Rod**

Part Number

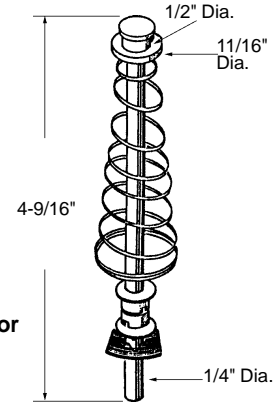
**9-1292**

Material: Steel

Unit: Each

Used By: Leigh/Monarch

Bulk: 25 Pcs.



**Bi-Fold Door Guide Rod**

Part Number

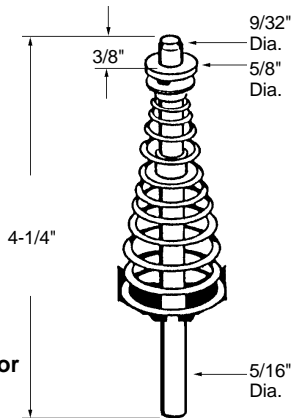
**9-1259**

Material: Steel with Nylon Cap

Unit: Each

Used By: National

Bulk: 25 Pcs.



**Bi-Fold Door Pivot Rod**

Part Number

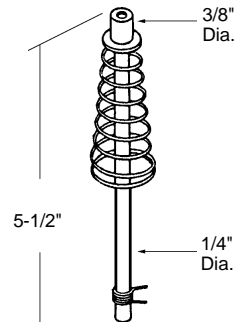
**9-1282**

Material: Steel

Unit: Each

Used By: National

Bulk: 25 Pcs.



**Bi-Fold Door Guide Rod Assembly**

Part Number

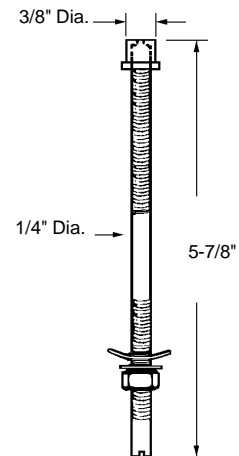
**9-1215**

Material: Steel with Nylon Cap

Unit: Each

Used By: Slimfold

Bulk: 25 Pcs.



**Bi-Fold Door Pivot Pin**

Part Number

**9-1301**

Material: Steel with Nylon Cap

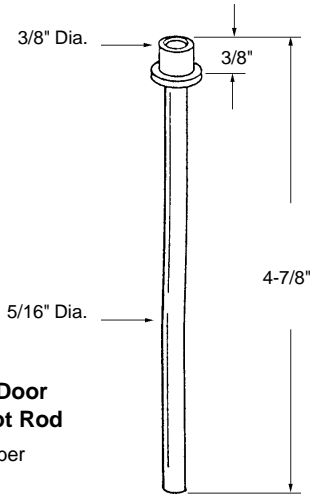
Unit: Each

Used By: Several Manufacturers

Bulk: 25 Pcs.



# CLOSET DOOR HARDWARE

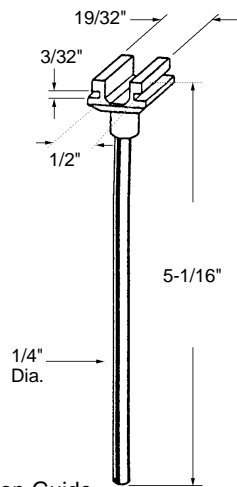


**Bi-Fold Door  
Top Pivot Rod**

Part Number

**9-1241**

Material: Steel with Nylon Cap  
Unit: Each      Bulk: 25 Pcs.  
Used By: Several Manufacturers

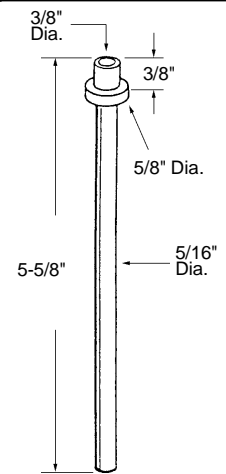


**Bi-Fold Door  
Top Guide Rod**

Part Number

**9-1253**

Material: Steel/Nylon Guide  
Unit: Each      Bulk: 25 Pcs.  
Used By: Several Manufacturers

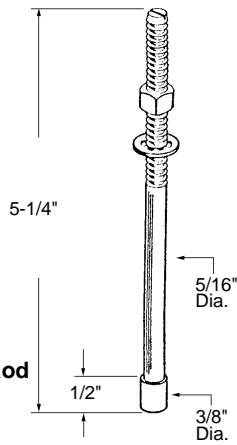


**Bi-Fold Door  
Top Pivot Rod**

Part Number

**9-1235**

Material: Steel with Nylon Cap  
Unit: Each      Bulk: 25 Pcs.  
Used By: Several Manufacturers

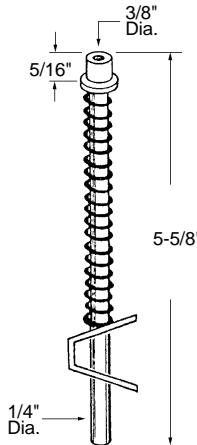


**Bi-Fold Door  
Bottom Pivot Rod**

Part Number

**9-1236**

Material: Steel with Nylon Cap  
Unit: Each      Bulk: 25 Pcs.  
Used By: Several Manufacturers

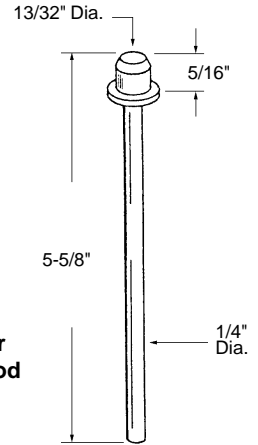


**Bi-Fold Door  
Top Guide Rod**

Part Number

**9-1237**

Material: Steel with Nylon Cap  
Unit: Each      Bulk: 25 Pcs.  
Used By: Several Manufacturers

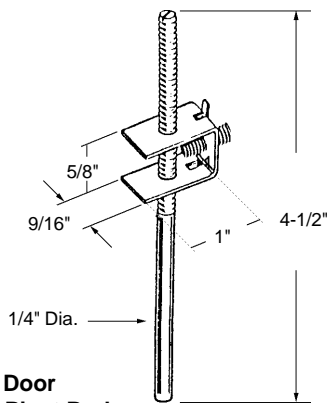


**Bi-Fold Door  
Top Pivot Rod**

Part Number

**9-1239**

Material: Steel with Nylon Cap  
Unit: Each      Bulk: 25 Pcs.  
Used By: Several Manufacturers



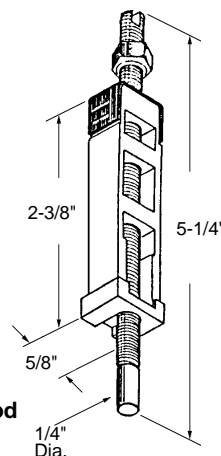
**Bi-Fold Door  
Bottom Pivot Rod**

Part Number

**9-1240**

Material: Steel  
Unit: Each      Bulk: 25 Pcs.  
Used By: Several Manufacturers

•5/16" thread.

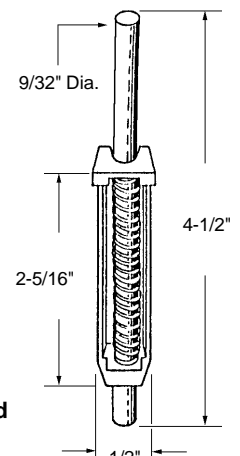


**Bi-Fold Door  
Bottom Pivot Rod**

Part Number

**9-1262**

Material: Steel with Nylon Sleeve  
Unit: Each      Bulk: 25 Pcs.  
Used By: Several Manufacturers



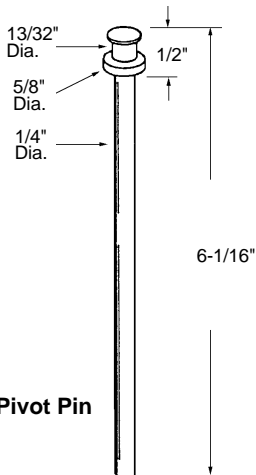
**Bi-Fold Door  
Top Pivot Rod**

Part Number

**9-1263**

Material: Steel with Nylon Sleeve  
Unit: Each      Bulk: 25 Pcs.  
Used By: Several Manufacturers

# CLOSET DOOR HARDWARE

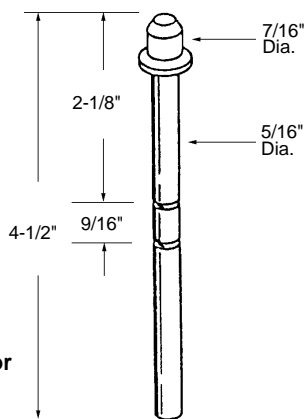


**Closet Door Pivot Pin**

Part Number

**9-1142**

Material: Steel with Nylon Cap  
 Unit: Each      Bulk: 25 Pcs.  
 Used By: Several Manufacturers

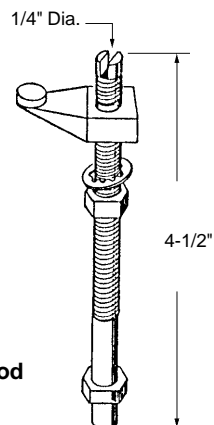


**Closet Door Pivot Pin**

Part Number

**9-1143**

Material: Steel with Nylon Cap  
 Unit: Each      Bulk: 25 Pcs.  
 Used By: Several Manufacturers

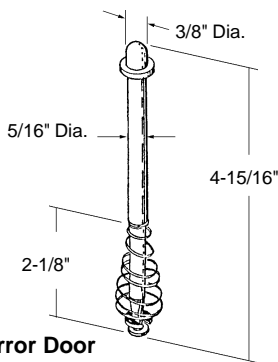


**Bi-Fold Door Bottom Pivot Rod**

Part Number

**9-1265**

Material: Steel with Nylon Bushing  
 Unit: Each      Bulk: 15 Pcs.  
 Used By: Several Manufacturers

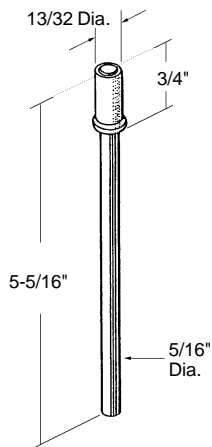


**Sliding Mirror Door Top Guide**

Part Number

**9-1269**

Material: Steel with Nylon Cap  
 Unit: Each      Bulk: 15 Pcs.  
 Used By: Several Manufacturers

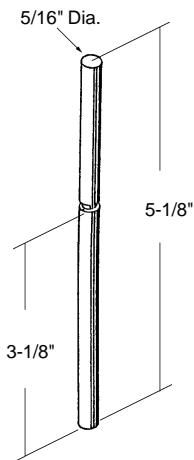


**Bi-Fold Door Top Guide Rod**

Part Number

**9-1279**

Material: Steel with Nylon Cap  
 Unit: Each      Bulk: 25 Pcs.  
 Used By: Several Manufacturers

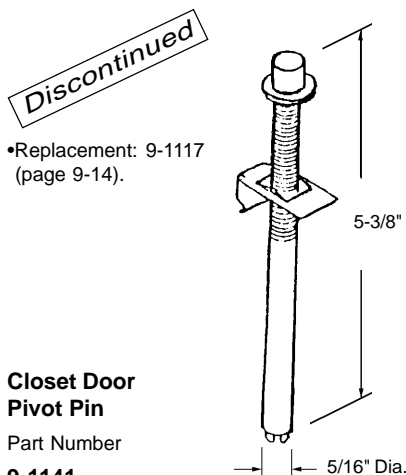


**Bi-Fold Door Top Pivot Rod**

Part Number

**9-1280**

Material: Steel  
 Unit: Each      Bulk: 25 Pcs.  
 Used By: Several Manufacturers

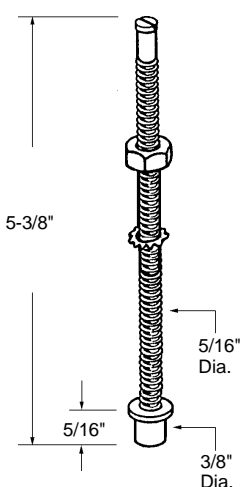


**Closet Door Pivot Pin**

Part Number

**9-1141**

Material: Steel with Nylon Cap  
 Unit: Each      Bulk: 25 Pcs.  
 Used By: Several Manufacturers

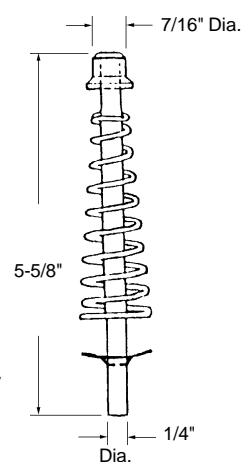


**Closet Door Pivot Pin**

Part Number

**9-1144**

Material: Steel with Nylon Cap  
 Unit: Each      Bulk: 25 Pcs.  
 Used By: Several Manufacturers



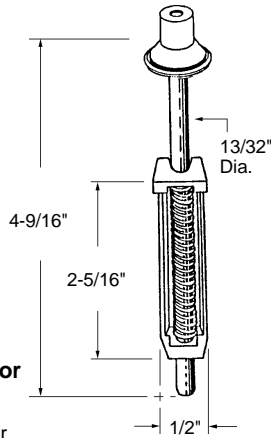
**Bi-Fold Door Guide Rod**

Part Number

**9-1145**

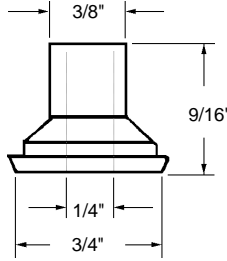
Material: Steel with Nylon Cap  
 Unit: Each      Bulk: 25 Pcs.  
 Used By: Several Manufacturers

# CLOSET DOOR HARDWARE



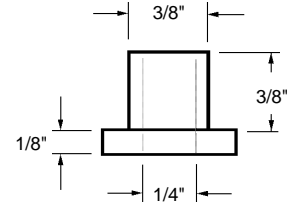
**Closet Door Pivot Pin**

Part Number  
**9-1146**  
 Material: Steel/Nylon Cap and Sleeve  
 Unit: Each      Bulk: 25 Pcs.  
 Used By: Several Manufacturers



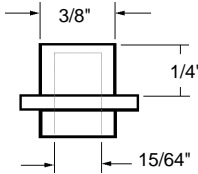
**Pivot Pin Cap**

Part Number  
**9-1154**  
 Material: Nylon  
 Unit: Each      Bulk: 25 Pcs.  
 Used By: Slimfold



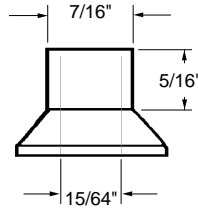
**Pivot Pin Cap**

Part Number  
**9-1149**  
 Material: Nylon  
 Unit: Each      Bulk: 25 Pcs.  
 Used By: Several Manufacturers



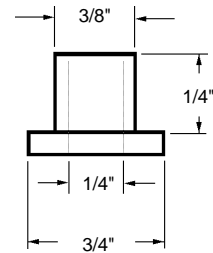
**Pivot Pin Cap**

Part Number  
**9-1150**  
 Material: Nylon  
 Unit: Each      Bulk: 25 Pcs.  
 Used By: Several Manufacturers



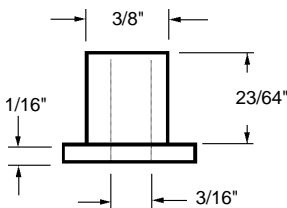
**Pivot Pin Cap**

Part Number  
**9-1151**  
 Material: Nylon  
 Unit: Each      Bulk: 25 Pcs.  
 Used By: Several Manufacturers



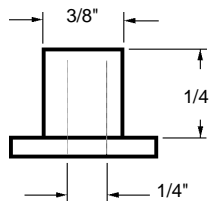
**Pivot Pin Cap**

Part Number  
**9-1152**  
 Material: Nylon  
 Unit: Each      Bulk: 25 Pcs.  
 Used By: Several Manufacturers



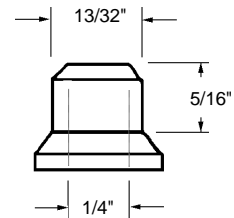
**Pivot Pin Cap**

Part Number  
**9-1153**  
 Material: Nylon  
 Unit: Each      Bulk: 25 Pcs.  
 Used By: Several Manufacturers



**Pivot Pin Cap**

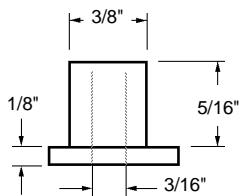
Part Number  
**9-1155**  
 Material: Nylon  
 Unit: Each      Bulk: 25 Pcs.  
 Used By: Several Manufacturers



**Pivot Pin Cap**

Part Number  
**9-1156**  
 Material: Nylon  
 Unit: Each      Bulk: 25 Pcs.  
 Used By: Several Manufacturers

# CLOSET DOOR HARDWARE



## Pivot Pin Cap

Part Number

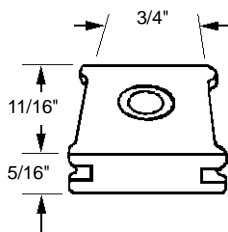
**9-1148**

Material: Nylon

Unit: Each

Bulk: 25 Pcs.

Used By: Several Manufacturers



## Closet Door Pin Guide

Part Number

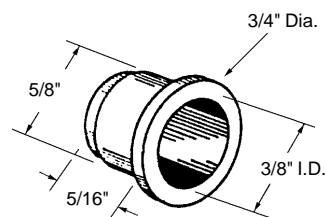
**9-1212**

Material: Nylon

Unit: Each

Bulk: 25 Pcs.

Used By: Several Manufacturers



## Closet Door Pivot Bushing

Part Number

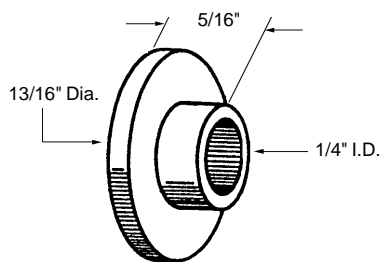
**9-1166**

Material: Nylon

Unit: Each

Bulk: 25 Pcs.

Used By: Slimfold



## Bi-Fold Door Guide

Part Number

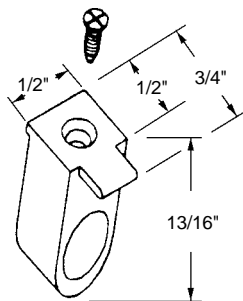
**9-1286**

Material: Nylon

Unit: Each

Bulk: 25 Pcs.

Used By: Stanley



## Bi-Fold Rod Clamp

Part Number

**9-1238**

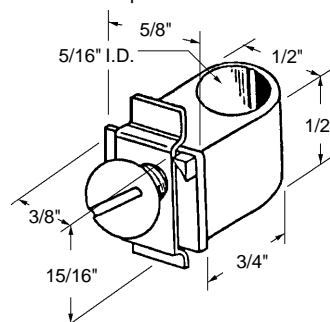
Material: Nylon

Unit: Each

Bulk: 50 Pcs.

Used By: Slimfold

•For bi-fold door pins.



## Bi-Fold Door Bottom Pivot Clamp

Part Number

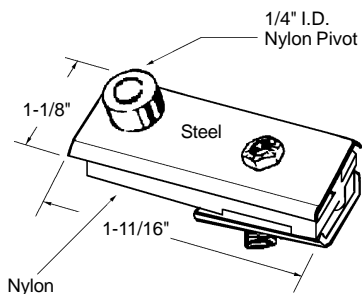
**9-1160**

Material: Nylon

Unit: Each

Bulk: 25 Pcs.

Used By: Several Manufacturers



## Closet Door Pivot

Part Number

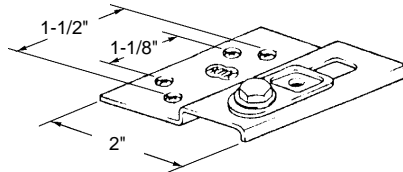
**9-1163**

Material: Steel/Nylon

Unit: Each

Bulk: 25 Pcs.

Used By: Several Manufacturers



## Closet Door Bracket

Part Number

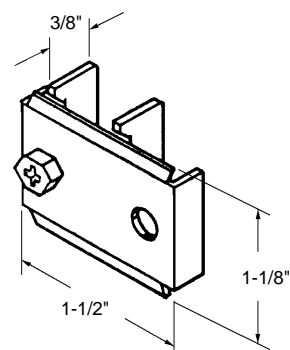
**9-1190**

Material: Metal with Nylon Bushing

Unit: Each

Bulk: 25 Pcs.

Used By: Acme



## Bi-Fold Door Track Pivot Bracket

Part Number

**9-1214**

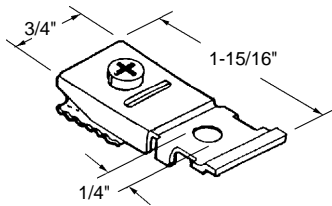
Material: Stamped Steel

Unit: Each

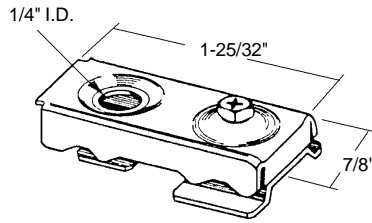
Bulk: 25 Pcs.

Used By: Acme

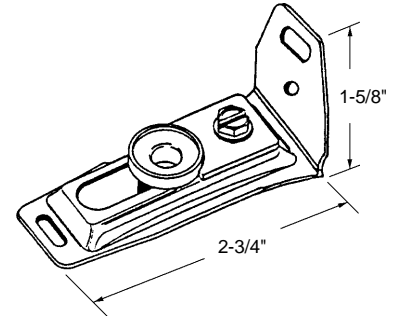
# CLOSET DOOR HARDWARE



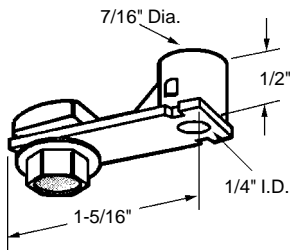
**Closet Door Top Pivot Bracket**  
 Part Number  
**9-1139**  
 Material: Metal  
 Unit: Each      Bulk: 50 Pcs.  
 Used By: Acme



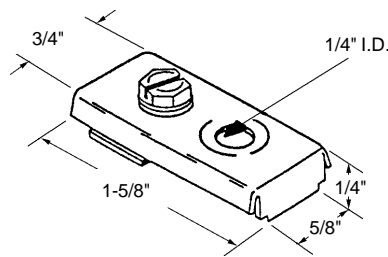
**Closet Door Top Pivot Bracket**  
 Part Number  
**9-1196**  
 Material: Metal  
 Unit: Each      Bulk: 25 Pcs.  
 Used By: Cox



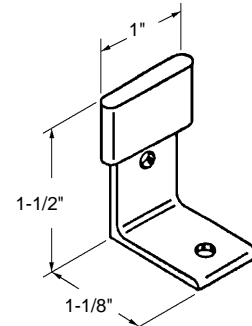
**Closet Door Jamb Bracket**  
 Part Number  
**9-1138**  
 Material: Metal with Nylon Bushing  
 Unit: Each      Bulk: 25 Pcs.  
 Used By: Johnson



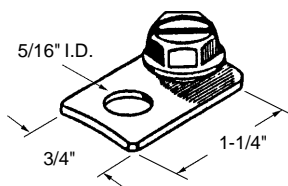
**Bi-Fold Door Pivot Bracket**  
 Part Number  
**9-1308**  
 Material: Nylon  
 Unit: Each      Bulk: 20 Pcs.  
 Used By: Peachtree Door Company



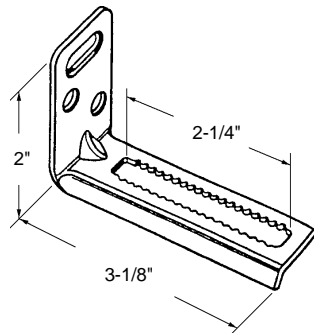
**Closet Door Top Pivot Bracket**  
 Part Number  
**9-1140**  
 Material: Metal  
 Unit: Each      Bulk: 25 Pcs.  
 Used By: Kennaframe



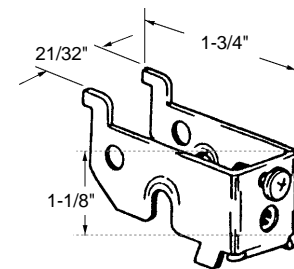
**Closet Door Bottom Guide Bracket**  
 Part Number  
**9-1216**  
 Material: Aluminum with Nylon Tip  
 Unit: Each      Bulk: 25 Pcs.  
 Used By: Like



**Bi-Fold Door Pivot Bracket**  
 Part Number  
**9-1291**  
 Material: Steel  
 Unit: Each      Bulk: 25 Pcs.  
 Used By: Monarch

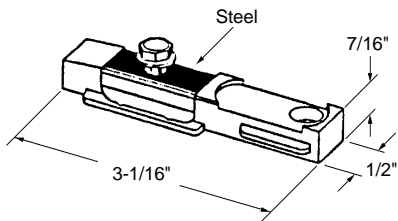


**Bi-Fold Door Bottom Pivot Bracket**  
 Part Number  
**9-1224**  
 Material: Stamped Steel  
 Unit: Each      Bulk: 25 Pcs.  
 Used By: Several Manufacturers



**Closet Door Roller Bracket**  
 Part Number  
**9-1213**  
 Material: Stamped Steel  
 Unit: Each      Bulk: 25 Pcs.  
 Used By: Ador/HiLite

# CLOSET DOOR HARDWARE



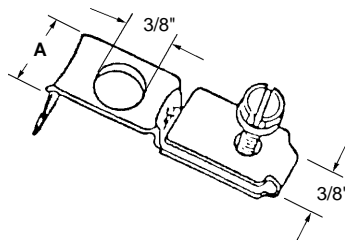
## Bi-Fold Door Bottom Pivot Socket

Part Number

**9-1284**

Material: Plastic Body with Steel Bracket  
Unit: Each Bulk: 25 Pcs.

Used By: Acme



## Bi-Fold Door Track Pivot Socket

Part Number A

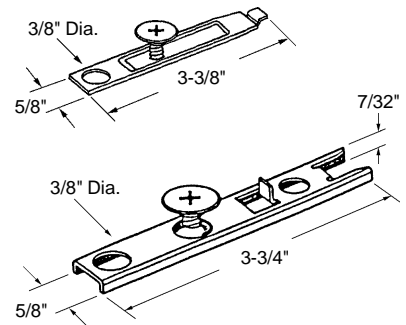
**9-1162** 7/8"

**9-1162-A** 5/8"

Material: Stamped Steel  
Unit: Each Bulk: 25 Pcs.

Used By: Slimfold

## Old Style



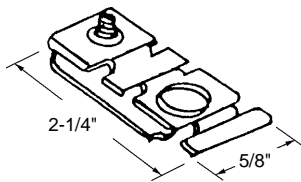
## Bi-Fold Door Pivot Socket

Part Number

**9-1171**

Bracket: Steel  
Unit: Each Bulk: 25 Pcs.

Used By: Several Manufacturers



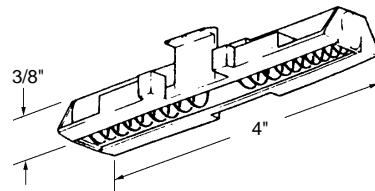
## Closet Door Pivot Socket

Part Number

**9-1137**

Material: Stamped Steel  
Unit: Each Bulk: 25 Pcs.

Used By: Several Manufacturers



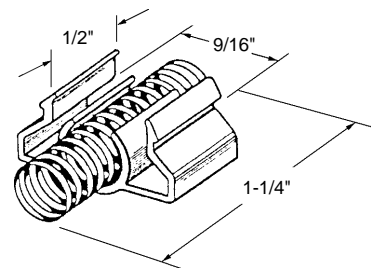
## Closet Door Snugger

Part Number

**9-1107**

Material: Plastic with Spring  
Unit: Each Bulk: 25 Pcs.

Used By: Acme



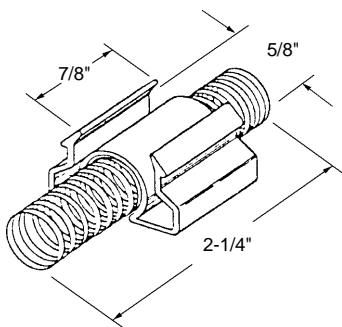
## Bi-Fold Two-Door Snugger

Part Number

**9-1188**

Material: Plastic with Spring  
Unit: Each Bulk: 25 Pcs.

Used By: Acme



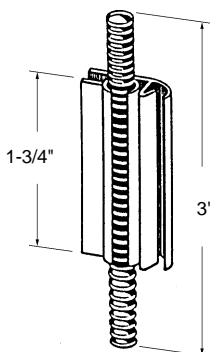
## Bi-Fold Four-Door Snugger

Part Number

**9-1189**

Material: Plastic with Spring  
Unit: Each Bulk: 25 Pcs.

Used By: Acme



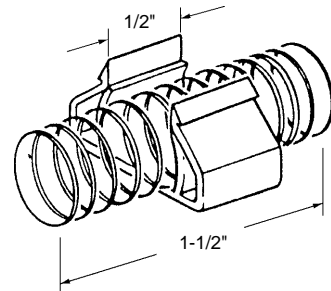
## Bi-Fold Four-Door Snugger

Part Number

**9-1285**

Material: Plastic with Spring  
Unit: Each Bulk: 25 Pcs.

Used By: Acme



## Bi-Fold Two-Door Snugger

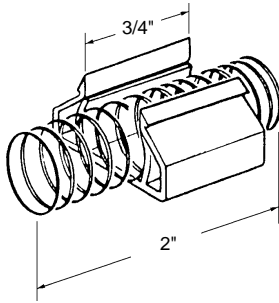
Part Number

**9-1199**

Material: Plastic with Spring  
Unit: Each Bulk: 25 Pcs.

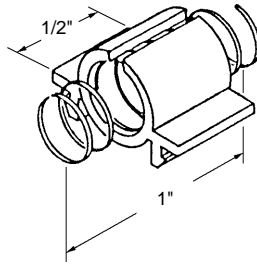
Used By: Cox

# CLOSET DOOR HARDWARE



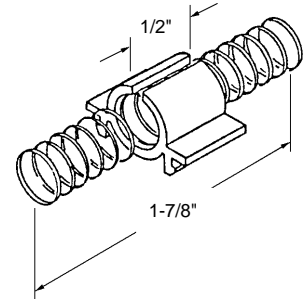
**Bi-Fold Four-Door Snugger**

Part Number  
**9-1200**  
 Material: Plastic with Spring  
 Unit: Each      Bulk: 25 Pcs.  
 Used By: Cox



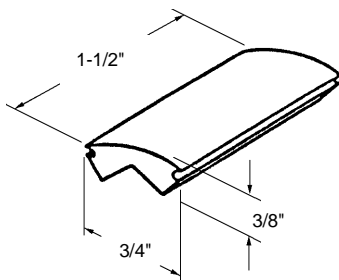
**Bi-Fold Two-Door Snugger**

Part Number  
**9-1270**  
 Material: Plastic with Spring  
 Unit: Each      Bulk: 25 Pcs.  
 Used By: Kennaframe



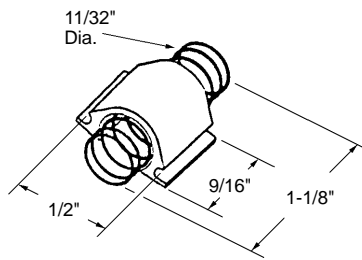
**Bi-Fold Four-Door Snugger**

Part Number  
**9-1271**  
 Material: Plastic with Spring  
 Unit: Each      Bulk: 25 Pcs.  
 Used By: Kennaframe



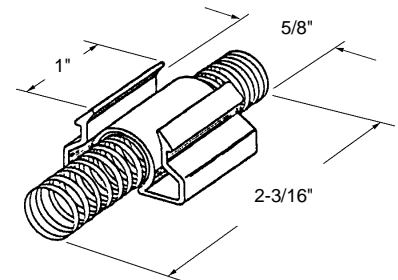
**Bi-Fold Two-Door Snugger**

Part Number  
**9-1289**  
 Material: Rubber  
 Colour: Grey  
 Unit: Each      Bulk: 25 Pcs.  
 Used By: Monarch



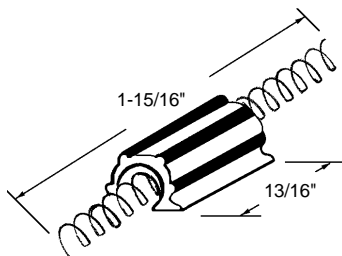
**Bi-Fold Two-Door Snugger**

Part Number  
**9-1290**  
 Material: Plastic with Spring  
 Unit: Each      Bulk: 25 Pcs.  
 Used By: Several Manufacturers



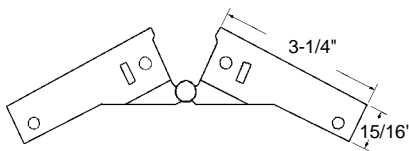
**Bi-Fold Four-Door Snugger**

Part Number  
**9-1258**  
 Material: Plastic with Spring  
 Unit: Each      Bulk: 25 Pcs.  
 Used By: Several Manufacturers



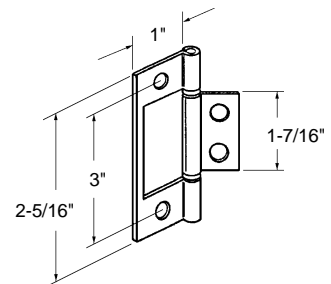
**Bi-Fold Two-Door Snugger**

Part Number  
**9-1267**  
 Material: Plastic with Spring  
 Unit: Each      Bulk: 25 Pcs.  
 Used By: Several Manufacturers



**Bi-Fold Mirror Door Hinge**

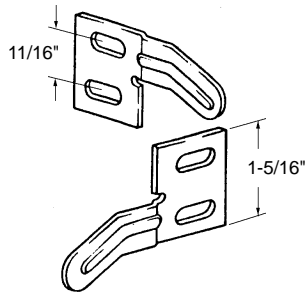
Part Number  
**9-1299**  
 Material: Flat Metal  
 Colour: Gold  
 Unit: Each      Bulk: 25 Pcs.  
 Used By: Cox



**Bi-Fold Mirror Door Non-Mortise Hinge**

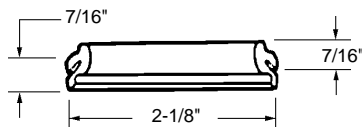
Part Number  
**9-1217**  
 Material: Steel  
 Colour: Brass Plated  
 Unit: Each      Bulk: 25 Pcs.  
 Used By: Several Manufacturers

# CLOSET DOOR HARDWARE



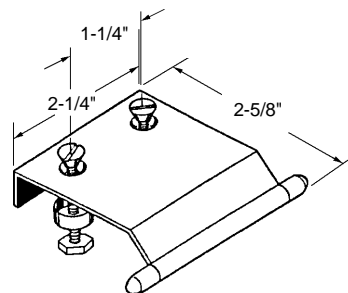
## Bi-Fold Door Surface Aligner

Part Number  
**9-1111**  
 Material: Metal  
 Colour: Mill  
 Unit: Pair                      Bulk: 25 Pair  
 Used By: Several Manufacturers



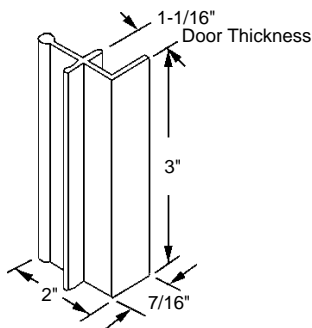
## Bi-Fold Door Bumper

Part Number  
**9-1159**  
 Material: Rubber  
 Colour: Grey  
 Unit: Each                      Bulk: 25 Pcs.  
 Used By: Slimfold



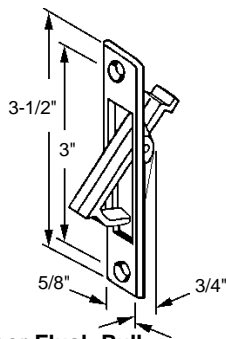
## Closet Door Handle

|                        |               |
|------------------------|---------------|
| Part Number            | Finish        |
| <b>9-1101</b>          | <b>Chrome</b> |
| <b>9-1101B</b>         | <b>Brass</b>  |
| Material: Plated Metal |               |
| Unit: Each             | Bulk: 10 Pcs. |
| Used By: Slimfold      |               |



## Mirror Bi-Fold Handle

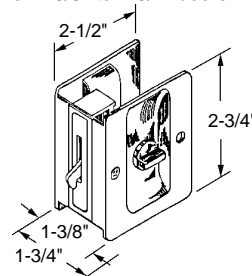
|                    |               |
|--------------------|---------------|
| Part Number        | Colour/Finish |
| <b>9-1223G</b>     | <b>Gold</b>   |
| <b>9-1223W</b>     | <b>White</b>  |
| Material: Aluminum |               |
| Unit: Each         | Bulk: 10 Pcs. |
| Used By: Slimfold  |               |



## Pocket Door Flush Pull

Part Number  
**9-1206**  
 Material: Die Cast  
 Finish: Brass Plated  
 Unit: Each                      Bulk: 25 Pcs.  
 Used By: Several Manufacturers

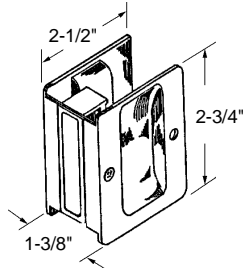
- c/w installation screws.
- Adjusts for 1-3/8" to 1-3/4" doors.



## Pocket Door Privacy Lock

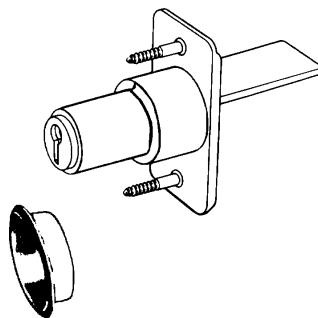
|                                |                       |
|--------------------------------|-----------------------|
| Part Number                    | Finish                |
| <b>9-1201</b>                  | <b>Polished Brass</b> |
| <b>9-1202</b>                  | <b>Chrome Plated</b>  |
| Material: Metal                |                       |
| Unit: Each                     | Bulk: 10 Pcs.         |
| Used By: Several Manufacturers |                       |

- Reversible.
- Adjusts for 1-3/8" to 1-3/4" door.



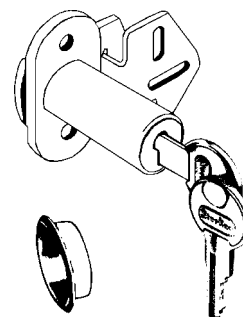
## Pocket Door Combination Pull

Part Number  
**9-1306**  
 Material: Metal  
 Finish: Polished Brass  
 Unit: Each                      Bulk: 10 Pcs.  
 Used By: Several Manufacturers



## By-Pass Sliding Door Lock

Part Number  
**9-1167**  
 Material: Metal  
 Unit: Each                      Bulk: 5 Pcs.  
 Used By: Several Manufacturers



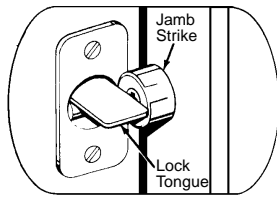
## Bi-Fold Door Lock

Part Number  
**9-1168**  
 Material: Metal  
 Unit: Each                      Bulk: 5 Pcs.  
 Used By: Several Manufacturers

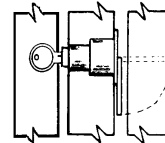
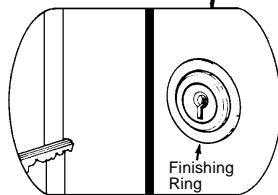
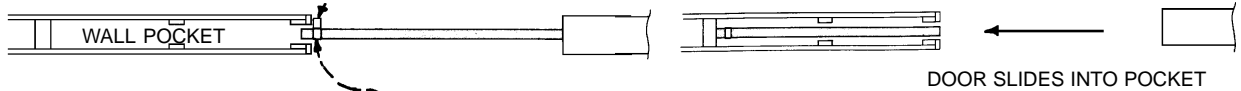


# POCKET DOOR LOCK

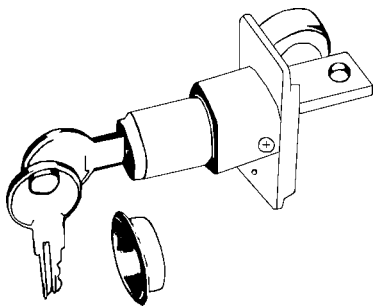
- This sturdy lock provides a simple low-cost means of locking pocket doors.
- May be installed in almost any pocket door.
- All exterior surfaces are plated for good appearance.
- Quick and easy to install.
- No mortising.
- Fits doors 1-3/8" to 1-3/4" thick. Jamb strike is furnished.
- Two keys furnished. Available alike or master keyed.



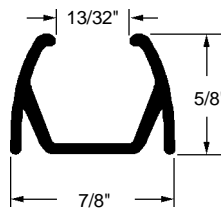
One half turn of key raises tongue and prevents door from entering pocket. The special jamb strike is furnished to permit mounting the lock far enough from door jamb to provide room for fingers when key is turned.



**CUT-AWAY VIEW**  
One-half turn of key raises tongue and locks door from entering pocket.



**Pocket Door Lock**  
Part Number  
**9-1169**  
Material: Metal  
Unit: Each      Bulk: 5 Pcs.  
Used By: Several Manufacturers



**Closet Door Track**  
Part Number  
**9-1310**  
Material: Extruded Aluminum  
Unit: Foot      Bulk: 30 Ft.  
Used By: Several Manufacturers

