

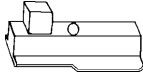
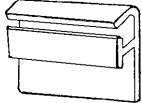
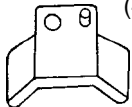
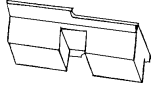

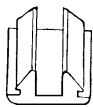
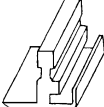
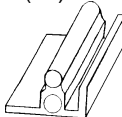

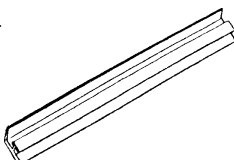
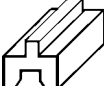
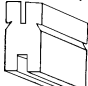
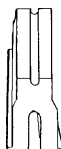
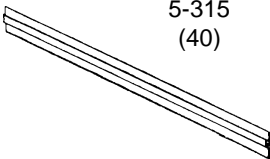
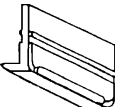
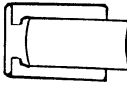
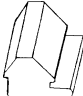
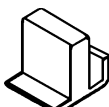
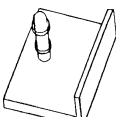
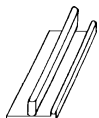
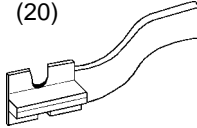
<b>Service Kits .....</b>	<b>5-2 to 5-4</b>
<b>Window Glides .....</b>	<b>5-5 to 5-8</b>
<b>Window Tension Springs .....</b>	<b>5-9</b>
<b>Window Rollers .....</b>	<b>5-9 to 5-14</b>
<b>Window Corners .....</b>	<b>5-14 to 5-15</b>
<b>Window Clips .....</b>	<b>5-15 to 5-17</b>
<b>Window Locks .....</b>	<b>5-17 to 5-26</b>
<b>Window Sash Lifts .....</b>	<b>5-27</b>
<b>Window Holders .....</b>	<b>5-27</b>
<b>Window Stikes &amp; Shims .....</b>	<b>5-27</b>
<b>Sash Balances &amp; Guides .....</b>	<b>5-27 to 5-29</b>
<b>Plugs .....</b>	<b>5-29, 5-30</b>
<b>Window Bumpers .....</b>	<b>5-29</b>
<b>Window Lineals .....</b>	<b>5-30 to 5-40</b>
<b>C-Sash® .....</b>	<b>5-40</b>

SERVICE KITS



Window Glides  
Part No. 5-WGK

One of the largest replacement kits of its kind. 720 window glides will solve 90% of your glide replacement problems. Now it is easy to have a good assortment of the most popular window glides. Use on your sales counter, in your shop or take to the job. Reordering and identification is easy with a chart on the lid to identify the parts each kit contains.

 <p>5-306 (40)*</p>	 <p>5-303 (40)</p>		 <p>5-347 (40)</p>		
 <p>5-305 (40)</p>	 <p>5-312 (20)</p>	 <p>5-316 (20)</p>	 <p>5-323 (20)</p>	 <p>5-332 (40)</p>	 <p>5-351 (20)</p>
 <p>5-304 (40)</p>		 <p>5-483 (40)</p>	 <p>5-311 (40)</p>	 <p>5-309 (40)</p>	
 <p>5-315 (40)</p>		 <p>5-308 (40)</p>	 <p>5-327 (40)</p>	 <p>5-329 (40)</p>	 <p>5-469 (20)</p>
 <p>5-301 (40)</p>	 <p>5-307 (40)</p>		 <p>5-470 (20)</p>		

\*Quantity in kit.

Take these kits to the job, use them in your shop or simply put one on your sales counter. All Glass Parts Inc. can **custom** make any number of kits to suit your requirements.

SERVICE KITS



Window Locks  
Part No. 5-WLK

Pre-sorted assortment of the most popular window locks. Each part identified for easy selection and reordering. This kit will solve most of your day to day replacement problems. Use on your sales counter, in your shop or take to the job. Phone or fax us toll free today and we will ship you your kit so you can put it to work immediately.

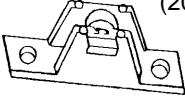
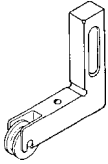
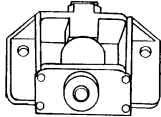
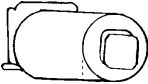
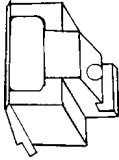
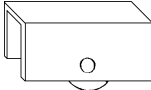
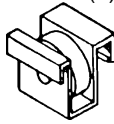

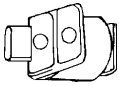
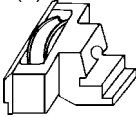

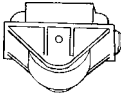
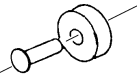
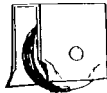

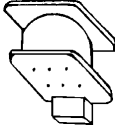
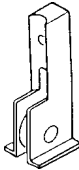
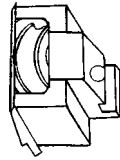
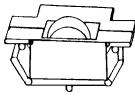
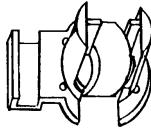
<p>5-409 (6)*</p>	<p>5-414L (10)</p>		<p>5-414R shown (10)</p>	<p>5-426L (6) 5-426R (6) shown</p>
<p>5-450 (2)</p>	<p>5-412 (20)</p>	<p>5-421 (3)</p>	<p>5-424L (2) 5-424R (3) shown</p>	
<p>5-407 (40)</p>	<p>5-410 (6)</p>	<p>5-412A (20)</p>	<p>5-407D (40)</p>	<p>5-453 (6)</p>
<p>5-403 (10)</p>	<p>5-411 (20)</p>	<p>5-418 (3)</p>		
<p>5-405 (6)</p>	<p>5-402 (10)</p>		<p>5-415 (5)</p>	

\*Quantity in kit.

Take these kits to the job, use them in your shop or simply put one on your sales counter. All Glass Parts Inc. can **custom** make any number of kits to suit your requirements.

# SLIDING WINDOW HARDWARE & LINEALS

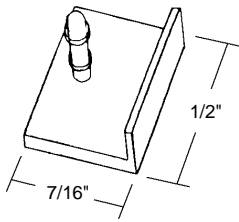


 <p>5-326 (20)*</p>	 <p>5-460 (4)</p>		 <p>5-343 (20)</p>		
 <p>5-325 (20)</p>	 <p>5-341 (20)</p>		 <p>5-335 (2)</p>	 <p>5-459 (6)</p>	 <p>13-979 (10)</p>
 <p>5-324 (20)</p>	 <p>5-340 (6)</p>	 <p>5-337 (20)</p>	 <p>5-349 (10)</p>	 <p>5-348 (20)</p>	 <p>5-433 (10)</p>
 <p>5-328 (4)</p>	 <p>5-336 (20)</p>		 <p>5-458 (4)</p>	 <p>5-338 (6)</p>	
 <p>5-300 (20)</p>				 <p>5-342 (10)</p>	

\*Quantity in kit.

Take these kits to the job, use them in your shop or simply put one on your sales counter.  
All Glass Parts Inc. can **custom** make any number of kits to suit your requirements.

# SLIDING WINDOW HARDWARE & LINEALS



## Sliding Window Glide

Part Number

**5-301**

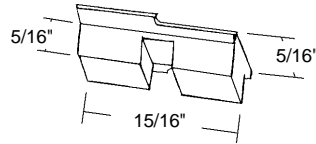
Material: Nylon

Unit: Each

Used By: Alcan



Bulk: 100 Pcs.



## Sliding Window Glide

Part Number

**5-305**

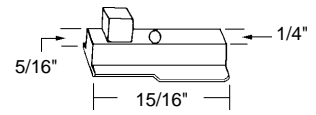
Material: Nylon

Unit: Each

Used By: Indal



Bulk: 100 Pcs.



## Sliding Window Glide

Part Number

**5-306**

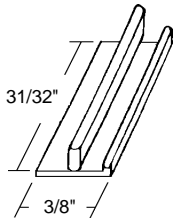
Material: Nylon

Unit: Each

Used By: Indal



Bulk: 100 Pcs.



## Sliding Window Glide

Part Number

**5-307**

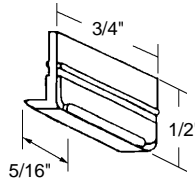
Material: Plastic

Unit: Each

Used By: Indal/W.A.P.



Bulk: 100 Pcs.



## Sliding Window Glide

Part Number

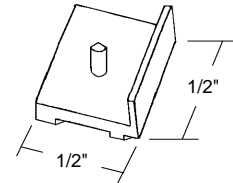
**5-308**

Material: Plastic

Unit: Each

Used By: Indal/W.A.P.

Bulk: 100 Pcs.



## Sliding Window Glide

Part Number

**5-481**

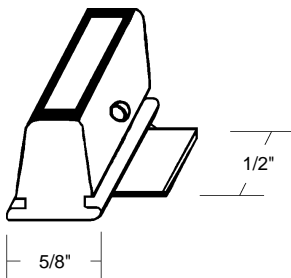
Material: Nylon

Unit: Each

Used By: Indal

Bulk: 100 Pcs.

- Wheel not included.
- Use with wheel 5-425 (page 5-12).



## Sliding Window Housing/Glide

Part Number

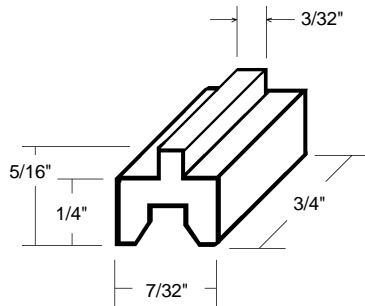
**5-482**

Material: Nylon

Unit: Each

Used By: Indal

Bulk: 100 Pcs.



## Sliding Window Glide

Part Number

**5-483**

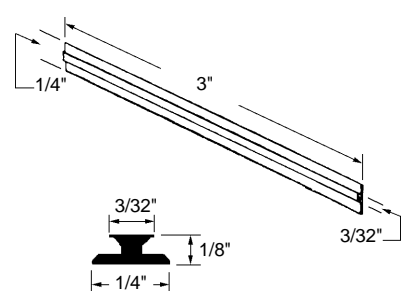
Material: Nylon

Unit: Each

Used By: B.L. Aluminum



Bulk: 100 Pcs.



## Sliding Window Glide

Part Number

**5-315**

Material: Plastic

Unit: Each

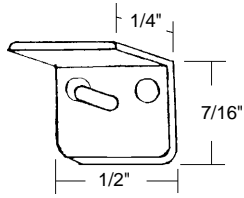
Used By: Award/Supreme

Bulk: 100 Pcs.



# SLIDING WINDOW HARDWARE & LINEALS

•Used with glide 5-333 on this page.



**Sliding Window Glide**

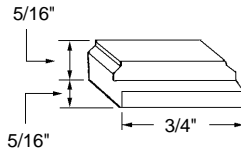
Part Number

**5-322**

Material: Nylon

Unit: Each      Bulk: 50 Pcs.

Used By: Gienow



**Sliding Window Glide**

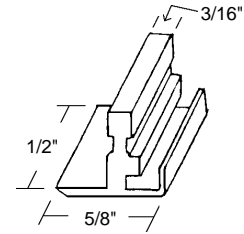
Part Number

**5-313**

Material: Nylon

Unit: Each      Bulk: 50 Pcs.

Used By: Gienow



**Sliding Window Glide**

Part Number

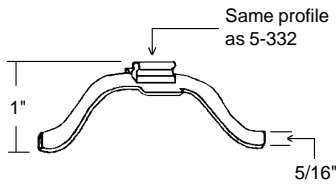
**5-323**

Material: Nylon

Unit: Each      Bulk: 100 Pcs.

Used By: Gienow

•Will be discontinued when stock runs out.



**Sliding Window Glide**

Part Number

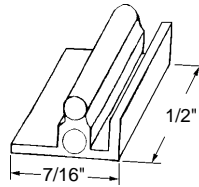
**5-331**

Material: Nylon

Unit: Each      Bulk: 50 Pcs.

Used By: Gienow

•Used with glide 5-331 on this page.



**Sliding Window Glide**

Part Number

**5-332**

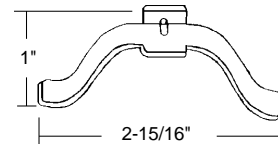
Material: Nylon

Unit: Each      Bulk: 100

Used By: Gienow

**Discontinued**

•Used with glide 5-322 on this page.



**Sliding Window Glide**

Part Number

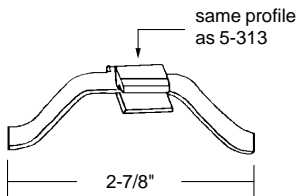
**5-333**

Material: Nylon

Unit: N/A

Used By: Gienow

•Will be discontinued when stock runs out.  
•Used with glide 5-313 on this page.



**Sliding Window Glide**

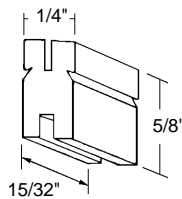
Part Number

**5-334**

Material: Nylon

Unit: Each      Bulk: 100 Pcs.

Used By: Gienow



**Sliding Window Glide**

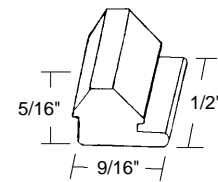
Part Number

**5-311**

Material: Nylon

Unit: Each      Bulk: 100 Pcs.

Used By: Custom Glass



**Sliding Window Glide**

Part Number

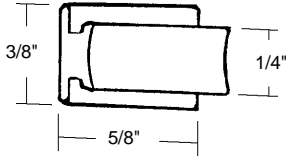
**5-329**

Material: Nylon

Unit: Each      Bulk: 100 Pcs.

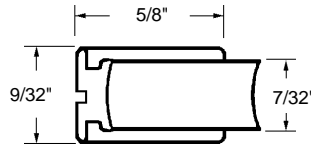
Used By: Hialco

# SLIDING WINDOW HARDWARE & LINEALS



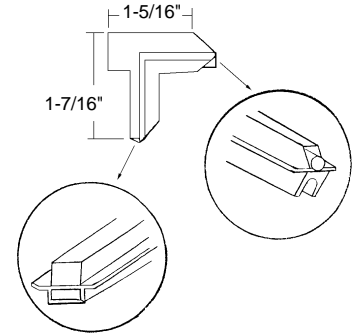
**Sliding Window Glide**

Part Number  
**5-327**  
 Material: Nylon  
 Unit: Each Bulk: 100 Pcs.  
 Used By: P.H. Tech



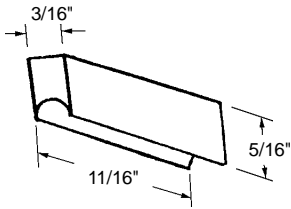
**Sliding Window Glide**

Part Number  
**5-360**  
 Material: Nylon  
 Unit: Each Bulk: 100 Pcs.  
 Used By: P.H. Tech



**Sliding Window Glide**

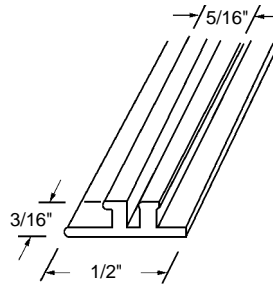
Part Number  
**5-352**  
 Material: Nylon  
 Unit: Each Bulk: 100 Pcs.  
 Used By: B.L. Aluminum



**Sliding Window Glide**

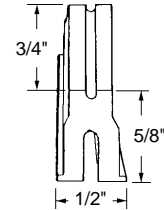
Part Number  
**5-351**  
 Material: Nylon  
 Unit: Each Bulk: 100 Pcs.  
 Used By: B.L. Aluminum

•2-1/2" lengths.



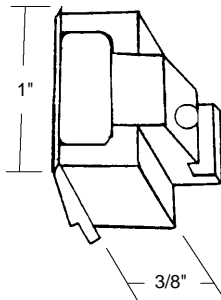
**Sliding Window Glide**

Part Number  
**5-355**  
 Material: Plastic  
 Unit: Each Bulk: 100 Pcs.  
 Used By: Resource



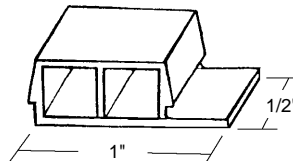
**Sliding Window Glide**

Part Number  
**5-309**  
 Material: Plastic  
 Unit: Each Bulk: 100 Pcs.  
 Used By: Hialco



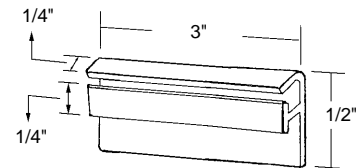
**Sliding Window Glide**

Part Number  
**5-341**  
 Material: Nylon  
 Unit: Each Bulk: 100 Pcs.  
 Used By: Hialco



**Sliding Window Glide**

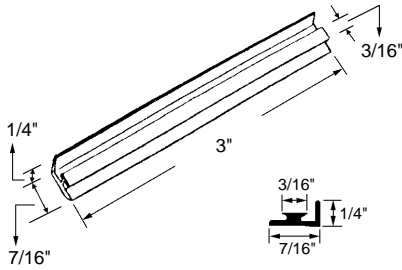
Part Number  
**5-339**  
 Material: Nylon  
 Unit: Each Bulk: 50 Pcs.  
 Used By: Hialco



**Sliding Window Glide**

Part Number  
**5-303**  
 Material: Plastic  
 Unit: Each Bulk: 100 Pcs.  
 Used By: Several Manufacturers

# SLIDING WINDOW HARDWARE & LINEALS



**Sliding Window Glide**

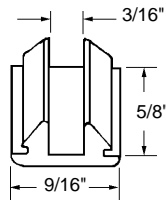
Part Number

**5-304**

Material: Plastic

Unit: Each      Bulk: 100 Pcs.

Used By: Several Manufacturers



**Sliding Window Glide**

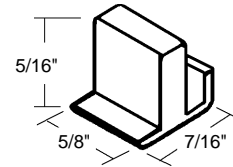
Part Number

**5-316**

Material: Plastic

Unit: Each      Bulk: 100 Pcs.

Used By: Several Manufacturers



**Sliding Window Glide**

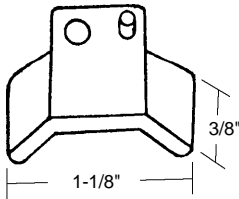
Part Number

**5-469**

Material: Nylon

Unit: Each      Bulk: 50 Pcs.

Used By: Several Manufacturers



**Sliding Window Glide**

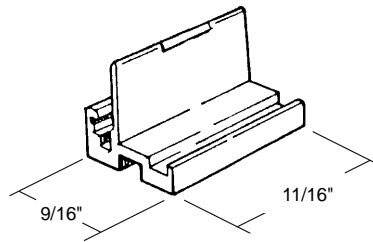
Part Number

**5-347**

Material: Nylon

Unit: Each      Bulk: 100 Pcs.

Used By: Several Manufacturers



**Sliding Window Glide**

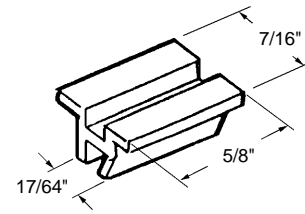
Part Number

**5-461**

Material: Nylon

Unit: Each      Bulk: 100 Pcs.

Used By: Several Manufacturers



**Sliding Window Glide**

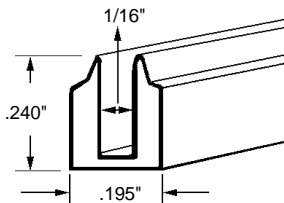
Part Number

**5-462**

Material: Plastic

Unit: Each      Bulk: 100 Pcs.

Used By: Several Manufacturers



**Sliding Window & Door Glide**

Part Number

**5-318**

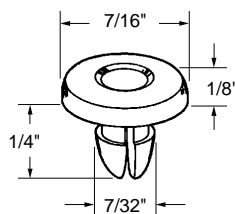
Material: Plastic

Stock Length: 12'

Unit: S/L      Bulk: 10 S/L

Used By: Several Manufacturers

•Snap-in design.



**Sliding Window Glide**

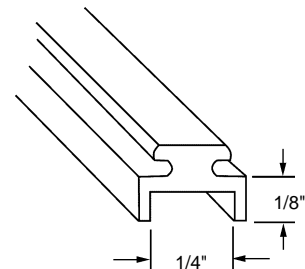
Part Number

**5-312**

Material: Nylon

Unit: Each      Bulk: 50 Pcs.

Used By: Several Manufacturers



**Glide Shoe**

Part Number

**5-496**

Material: Plastic

Colour: White

Stock Length: 10'

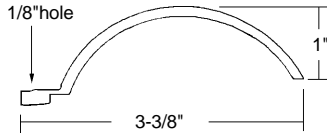
Unit: S/L      Bulk: 20 S/L

Used By: Several Manufacturers



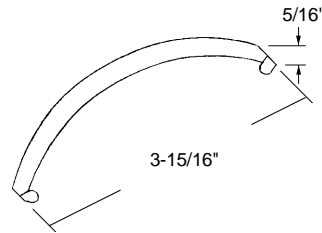
# SLIDING WINDOW HARDWARE & LINEALS

**Discontinued**



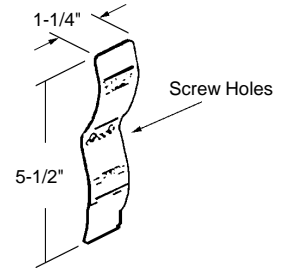
## Sliding Window Tension Spring

Part Number  
**5-350**  
 Material: Nylon  
 Unit: N/A  
 Used By: Willmar



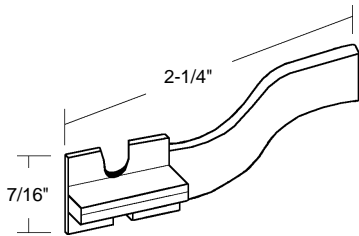
## Sliding Window Tension Spring

Part Number  
**5-354**  
 Material: Steel  
 Unit: Each      Bulk: 25 Pcs.  
 Used By: Andersen



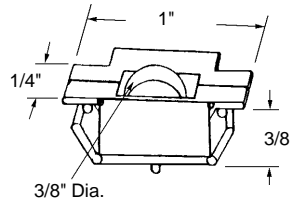
## Sliding Window Tension Spring

Part Number  
**5-468**  
 Material: Steel  
 Unit: Pair      Bulk: 25 Pair  
 Used By: Several Manufacturers



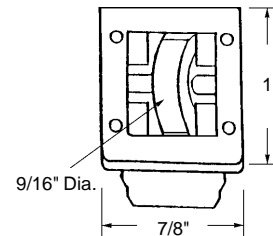
## Sliding Window Glide Spring

Part Number  
**5-470**  
 Material: Nylon  
 Unit: Each      Bulk: 100 Pcs.  
 Used By: Several Manufacturers



## Sliding Window Roller

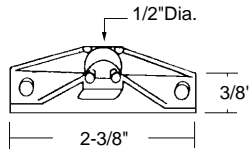
Part Number  
**5-300**  
 Housing: Nylon  
 Wheel: Nylon  
 Unit: Each      Bulk: 100 Pcs.  
 Used By: Alcan



## Sliding Window Roller

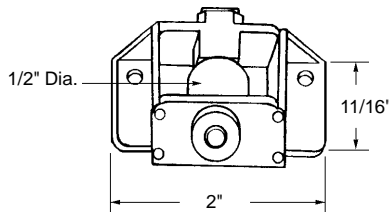
Part Number  
**5-330**  
 Housing: Nylon  
 Wheel: Steel  
 Unit: Each      Bulk: 25 Pcs.  
 Used By: Alcan

**Discontinued**



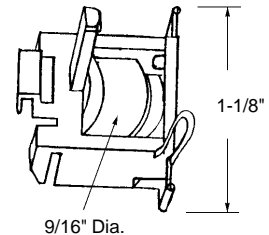
## Sliding Window Roller

Part Number  
**5-302**  
 Housing: Nylon  
 Wheel: Nylon  
 Unit: N/A  
 Used By: Almetco



## Sliding Window Roller

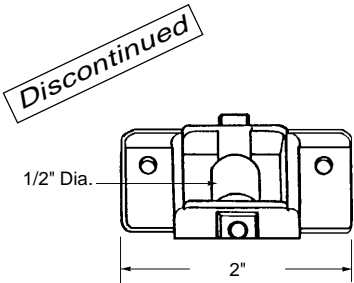
Part Number  
**5-343**  
 Housing: Plastic  
 Wheel: Plastic  
 Unit: Each      Bulk: 50 Pcs.  
 Used By: Almetco



## Sliding Window Roller

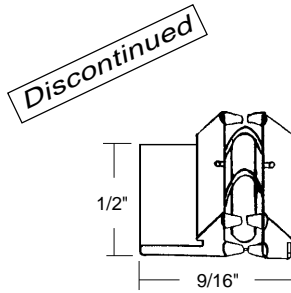
Part Number  
**5-346**  
 Housing: Nylon  
 Wheel: Nylon  
 Unit: Each      Bulk: 100 Pcs.  
 Used By: Almetco

# SLIDING WINDOW HARDWARE & LINEALS



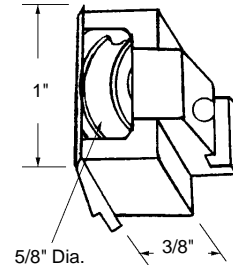
**Sliding Window Roller**

Part Number  
**5-344**  
 Housing: Plastic  
 Wheel: Plastic  
 Unit: N/A  
 Used By: Almetco



**Sliding Window Roller**

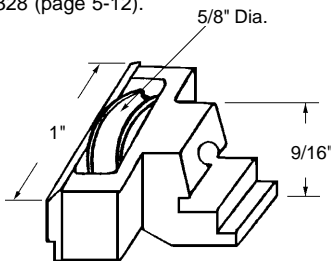
Part Number  
**5-345**  
 Housing: Nylon  
 Wheel: Nylon  
 Unit: N/A  
 Used By: Almetco/Hialco



**Sliding Window Roller**

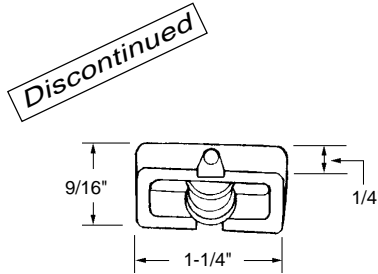
Part Number  
**5-338**  
 Housing: Nylon  
 Wheel: Nylon  
 Unit: Each      Bulk: 25 Pcs.  
 Used By: Hialco

•Replacement wheel available separate, 5-328 (page 5-12).



**Sliding Window Roller**

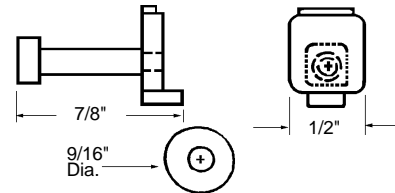
Part Number  
**5-340**  
 Housing: Nylon  
 Wheel: Nylon  
 Unit: Each      Bulk: 25 Pcs.  
 Used By: Hialco



**Sliding Window Roller**

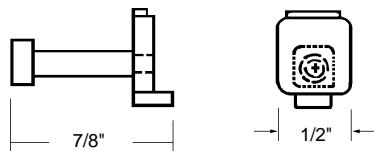
Part Number  
**5-310**  
 Housing: Nylon  
 Wheel: Nylon  
 Unit: N/A  
 Used By: Indal/WAP

•Replacement housing only, 5-476H (on this page).



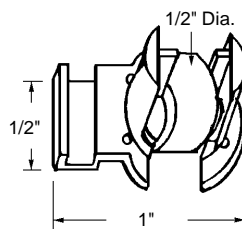
**Sealed Unit Vent Wheel**

Part Number  
**5-476**  
 Housing: Acetal  
 Wheel: Nylon  
 Unit: Each      Bulk: 100 Pcs.  
 Used By: Indal/WAP



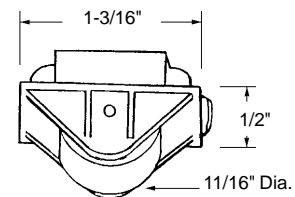
**Housing for Sealed Unit Vent Wheel 5-476**

Part Number  
**5-476H**  
 Housing: Acetal  
 Unit: Each      Bulk: 100 Pcs.  
 Used By: Indal/WAP



**Sliding Window Roller**

Part Number  
**5-342**  
 Housing: Nylon  
 Wheel: Nylon  
 Unit: Each      Bulk: 50 Pcs.  
 Used By: Gienow

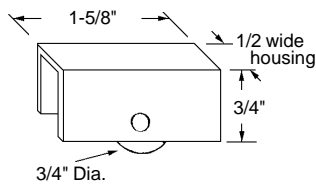


**Sliding Window Roller**

Part Number  
**5-349**  
 Housing: Plastic  
 Wheel: Nylon  
 Unit: Each      Bulk: 100 Pcs.  
 Used By: Flexlox

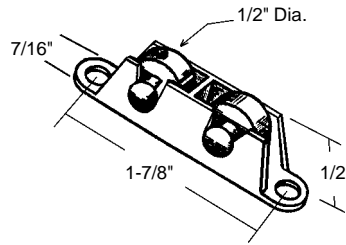
# SLIDING WINDOW HARDWARE & LINEALS

•5/16" wide with rivet heads.



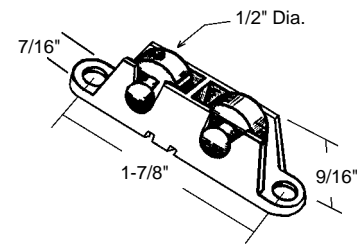
### Sliding Window Roller

Part Number  
**5-335**  
 Housing: Aluminum  
 Wheel: Nylon  
 Unit: Each      Bulk: 100 Pcs.  
 Used By: Wescraft



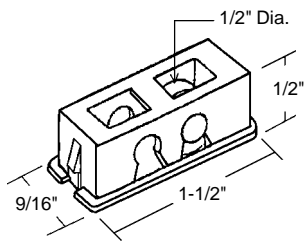
### Sliding Window Tandem Roller

Part Number	Wheel
<b>5-361N</b>	<b>Nylon</b>
<b>5-361B</b>	<b>Brass</b>
Housing: Nylon	
Unit: Each	Bulk: 100 Pcs.
Used By: Enerpro	



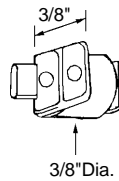
### Sliding Window Tandem Roller

Part Number	Wheel
<b>5-362N</b>	<b>Nylon</b>
<b>5-362B</b>	<b>Brass</b>
Housing: Nylon	
Unit: Each	Bulk: 100 Pcs.
Used By: Berlinex	



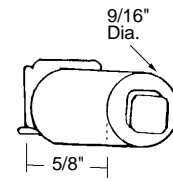
### Sliding Window Tandem Roller

Part Number	Wheel
<b>5-363N</b>	<b>Nylon</b>
<b>5-363B</b>	<b>Brass</b>
Housing: Nylon	
Unit: Each	Bulk: 100 Pcs.
Used By: Willmar	



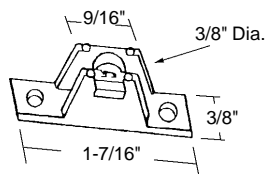
### Sliding Window Roller

Part Number	
<b>5-324</b>	
Housing: Nylon	
Wheel: Nylon	
Unit: Each	Bulk: 100 Pcs.
Used By: Several Manufacturers	



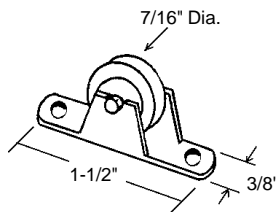
### Sliding Window Roller

Part Number	
<b>5-325</b>	
Housing: Nylon	
Wheel: Nylon	
Unit: Each	Bulk: 100 Pcs.
Used By: Several Manufacturers	



### Sliding Window Roller

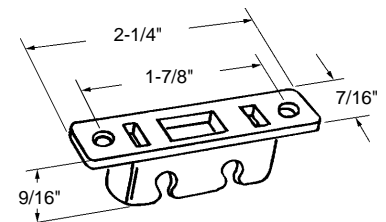
Part Number	
<b>5-326</b>	
Housing: Nylon	
Wheel: Nylon	
Unit: Each	Bulk: 100 Pcs.
Used By: Several Manufacturers	



### Sliding Window Roller

Part Number	Wheel
<b>5-369A</b>	<b>Metal</b>
<b>5-369B</b>	<b>Plastic</b>
Housing: Plastic	
Unit: Each	Bulk: 25 Pcs.
Used By: Several Manufacturers	

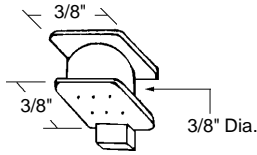
•c/w two brass rollers – 7/16" diameter.



### Sliding Window Roller

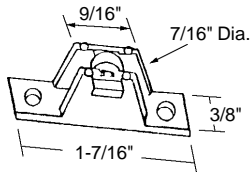
Part Number	
<b>5-474</b>	
Housing: Nylon	
Wheels: Brass	
Unit: Each	Bulk: 100 Pcs.
Used By: Award Windows & Others	

# SLIDING WINDOW HARDWARE & LINEALS



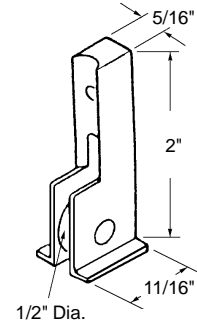
### Sliding Window Roller

Part Number  
**5-336**  
 Housing: Nylon  
 Wheel: Nylon  
 Unit: Each      Bulk: 100 Pcs.  
 Used By: Several Manufacturers



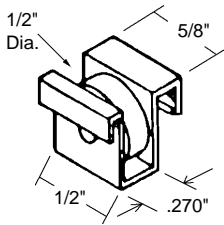
### Sliding Window Roller

Part Number  
**5-337**  
 Housing: Nylon  
 Wheel: Nylon  
 Unit: Each      Bulk: 100 Pcs.  
 Used By: Several Manufacturers



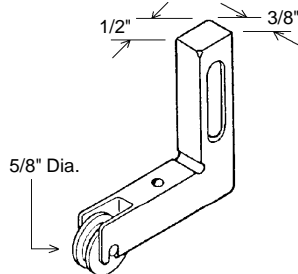
### Sliding Window Roller

Part Number  
**5-458**  
 Housing: Nylon  
 Wheel: Nylon  
 Unit: Each      Bulk: 50 Pcs.  
 Used By: Several Manufacturers



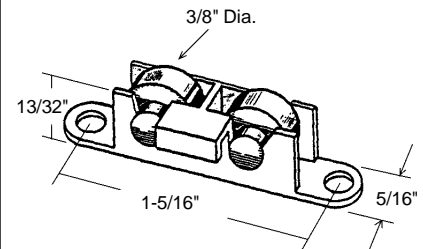
### Sliding Window Roller & Guide

Part Number  
**5-459**  
 Housing: Nylon  
 Wheel: Nylon  
 Unit: Each      Bulk: 50 Pcs.  
 Used By: Several Manufacturers



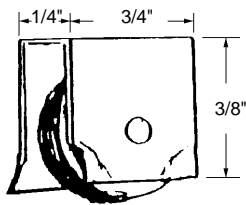
### Sliding Window Corner Lock & Roller

Part Number  
**5-460**  
 Housing: Die Cast  
 Wheel: Plastic  
 Unit: Each      Bulk: 25 Pcs.  
 Used By: Several Manufacturers



### Sliding Window Tandem Roller

Part Number  
**5-376**  
 Housing: Nylon  
 Wheel: Nylon  
 Unit: Each      Bulk: 50 Pcs.  
 Used By: Several Manufacturers

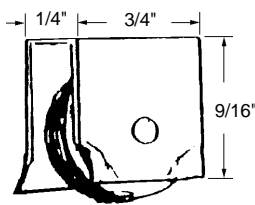


•Groove Type Wheel, 1/2" Dia.



### Sliding Window Roller

Part Number  
**5-432**  
 Housing: Steel  
 Wheel: Nylon  
 Unit: Each      Bulk: 50 Pcs.  
 Used By: Several Manufacturers

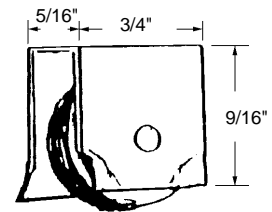


•Round Wheel, 9/16" Dia.  
 •Housing has bent corners.



### Sliding Window Roller

Part Number  
**5-433**  
 Housing: Steel  
 Wheel: Nylon  
 Unit: Each      Bulk: 50 Pcs.  
 Used By: Several Manufacturers

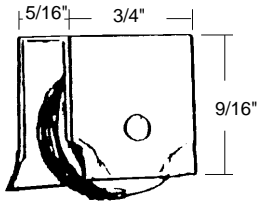


•Groove Type Wheel, 1/2" Dia.  
 •Housing has bent corners.



### Sliding Window Roller

Part Number  
**5-434**  
 Housing: Steel  
 Wheel: Nylon  
 Unit: Each      Bulk: 50 Pcs.  
 Used By: Several Manufacturers



- Flat Wheel, 9/16" Dia.
- Housing has bent corners.

### Sliding Window Roller

Part Number

**5-438**

Housing: Steel

Wheel: Nylon

Unit: Each

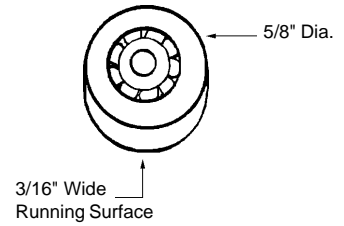
Bulk: 100 Pcs.

Used By: Several Manufacturers



Looking for a part,  
but don't know where  
to start?  
The best place to  
start is our  
alphabetical index at  
the front of the  
catalogue.

- 1/4" wide at race.
- Center Hole: 1/8" Dia.



### Sliding Window Roller

Part Number

**5-425**

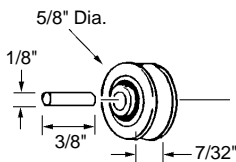
Wheel: Steel Ball Bearing

Unit: Each

Bulk: 100 Pcs.

Used By: Indal/W.A.P.

- Package includes 2 nylon wheels and 2 steel pins.



### Sliding Window Wheels

Part Number

**5-328**

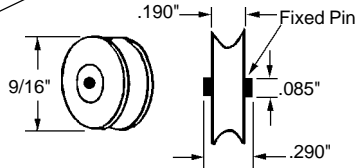
Material: Nylon Ball Bearing

Unit: Pair

Bulk: 25 Pair

Used By: Several Manufacturers

**Discontinued**



### Sliding Window Wheel

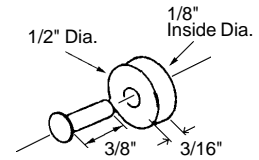
Part Number

**5-383**

Material: Steel

Unit: N/A

Used By: Several Manufacturers



### Sliding Window Wheel & Axle

Part Number

**5-348**

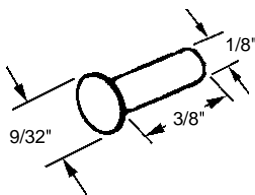
Material: Nylon

Unit: Each

Bulk: 100 Pcs.

Used By: Several Manufacturers

- Axle sold separate, 5-348A (on this page).



### Sliding Window Axle for Wheel 5-348B

Part Number

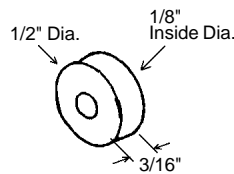
**5-348A**

Material: Nylon

Unit: Each

Bulk: 100 Pcs.

Used By: Several Manufacturers



### Sliding Window Wheel

Part Number

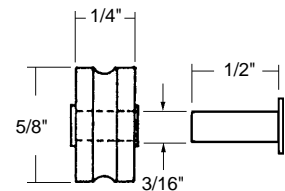
**5-348B**

Material: Nylon

Unit: Each

Bulk: 100 Pcs.

Used By: Several Manufacturers



### Sliding Window Wheel c/w Axle

Part Number

**5-463**

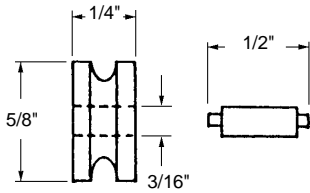
Material: Nylon

Unit: Each

Bulk: 100 Pcs.

Used By: Several Manufacturers

# SLIDING WINDOW HARDWARE & LINEALS



**Sliding Window Wheel c/w Axle**

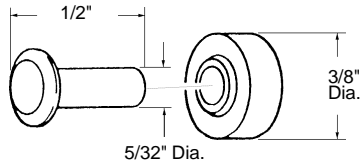
Part Number

**5-464**

Material: Nylon

Unit: Each      Bulk: 100 Pcs.

Used By: Several Manufacturers



**Sliding Window Wheel c/w Axle**

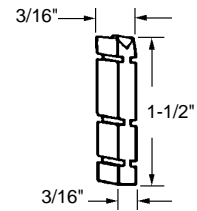
Part Number

**5-465**

Material: Nylon

Unit: Each      Bulk: 100 Pcs.

Used By: Several Manufacturers



**Sash Corner**

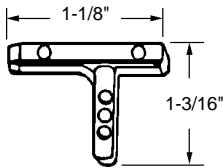
Part Number

**5-372**

Material: Aluminum

Unit: Each      Bulk: 100 Pcs.

Used By: Indal/W.A.P.



**Sash Corner**

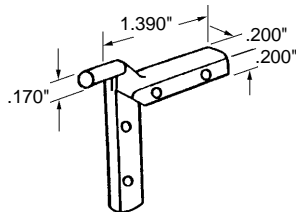
Part Number

**5-373**

Material: Die Cast

Unit: Each      Bulk: 100 Pcs.

Used By: Indal/W.A.P.



**Sash Corner**

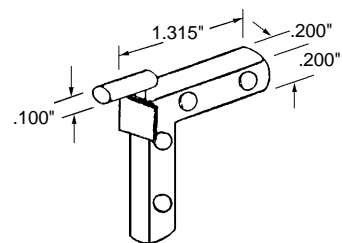
Part Number

**5-374**

Material: Die Cast

Unit: Each      Bulk: 100 Pcs.

Used By: Several Manufacturers



**Sash Corner**

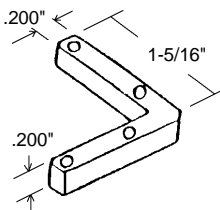
Part Number

**5-375**

Material: Plastic

Unit: Each      Bulk: 100 Pcs.

Used By: Several Manufacturers



**Sash or Screen Corner**

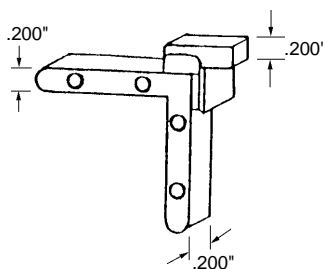
Part Number

**5-377**

Material: Die Cast

Unit: Each      Bulk: 100 Pcs.

Used By: Several Manufacturers



**Sash Corner**

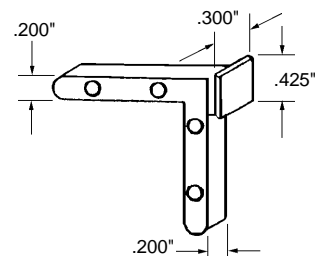
Part Number

**5-378**

Material: Plastic

Unit: Each      Bulk: 100 Pcs.

Used By: Several Manufacturers



**Sash Corner**

Part Number

**5-379**

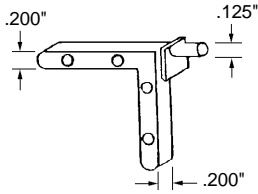
Material: Plastic

Unit: Each      Bulk: 100 Pcs.

Used By: Several Manufacturers

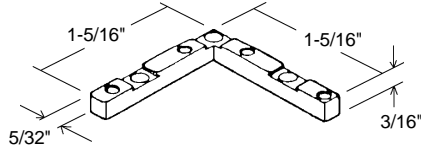
# SLIDING WINDOW HARDWARE & LINEALS

**Discontinued**



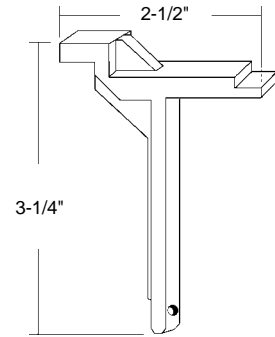
**Sash Corner**

Part Number  
**5-386**  
 Material: Plastic  
 Unit: N/A  
 Used By: Several Manufacturers



**Sash or Screen Corner**

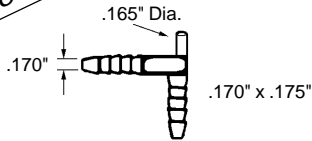
Part Number  
**5-394**  
 Material: Die Cast  
 Unit: Each      Bulk: 100 Pcs.  
 Used By: Several Manufacturers



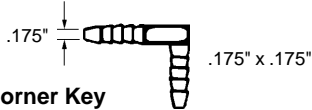
**Sash Corner Key**

Part Number  
**5-320**  
 Material: Die Cast  
 Unit: Each      Bulk: 50 Pcs.  
 Used By: Alcan

**Discontinued**



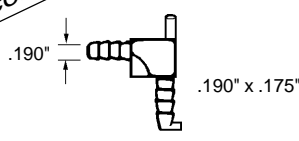
•Package of 4:  
 2 with knobs  
 2 without knobs



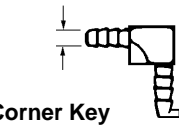
**Sash Corner Key**

Part Number      Colour  
**5-472B**            **Brown**  
**5-472W**            **White**  
 Material: Plastic  
 Unit: N/A  
 Used By: Aluminart

**Discontinued**



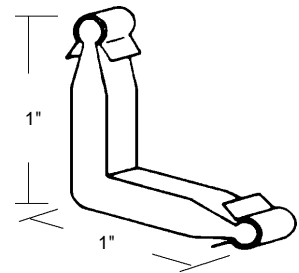
•Package of 4:  
 2 with knobs  
 2 without knobs



**Sash Corner Key**

Part Number      Colour  
**5-473B**            **Brown**  
**5-473W**            **White**  
 Material: Plastic  
 Unit: N/A  
 Used By: Aluminart

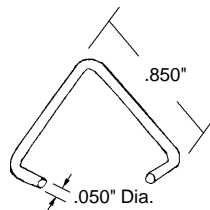
•Thickness: 3/16" x 3/16".



**Sash Corner Key**

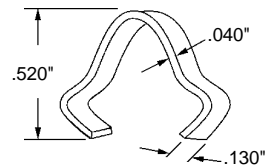
Part Number  
**5-429**  
 Material: Die Cast  
 Unit: Each      Bulk: 100 Pcs.  
 Used By: Several Manufacturers

FOR MORE  
 SCREEN/SASH  
 CORNERS  
 SEE SECTION 3  
 AND  
 SECTION 8.



**Sash Corner Clip**

Part Number  
**5-371**  
 Material: Spring Steel  
 Unit: Each      Bulk: 100 Pcs.  
 Used By: Humphrey

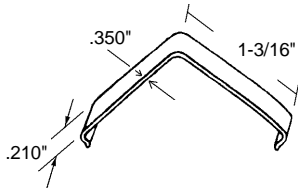


**Sash Corner Clip**

Part Number  
**5-370**  
 Material: Steel  
 Unit: Each      Bulk: 100 Pcs.  
 Used By: Wescab



# SLIDING WINDOW HARDWARE & LINEALS



## Sash Corner Clip

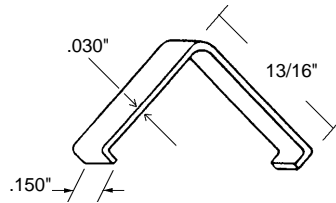
Part Number

**5-381**

Material: Steel

Unit: Each Bulk: 100 Pcs.

Used By: Several Manufacturers



## Sash Corner Clip

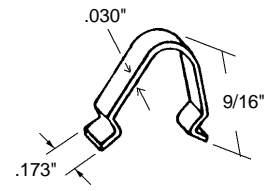
Part Number

**5-384**

Material: Steel

Unit: Each Bulk: 100 Pcs.

Used By: Several Manufacturers



## Sash Corner Clip

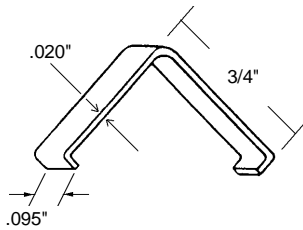
Part Number

**5-384**

Material: Steel

Unit: Each Bulk: 100 Pcs.

Used By: Several Manufacturers



## Sash Corner Clip

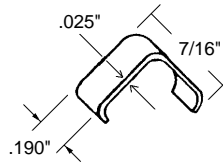
Part Number

**5-385**

Material: Steel

Unit: Each Bulk: 100 Pcs.

Used By: Several Manufacturers



## Sash Corner Clip

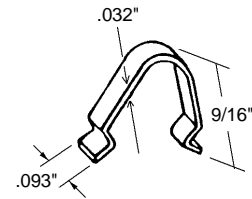
Part Number

**5-387**

Material: Steel

Unit: Each Bulk: 100 Pcs.

Used By: Several Manufacturers



## Sash Corner Clip

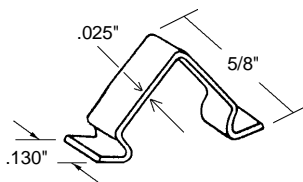
Part Number

**5-388**

Material: Steel

Unit: Each Bulk: 100 Pcs.

Used By: Several Manufacturers



## Sash Corner Clip

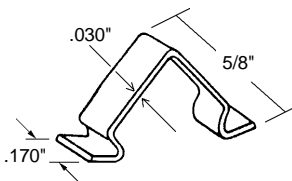
Part Number

**5-389**

Material: Steel

Unit: Each Bulk: 100 Pcs.

Used By: Several Manufacturers



## Sash Corner Clip

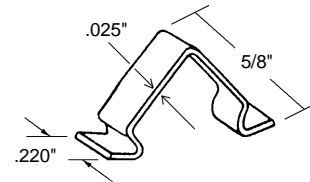
Part Number

**5-390**

Material: Steel

Unit: Each Bulk: 100 Pcs.

Used By: Several Manufacturers



## Sash Corner Clip

Part Number

**5-391**

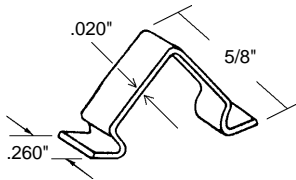
Material: Steel

Unit: Each Bulk: 100 Pcs.

Used By: Several Manufacturers



# SLIDING WINDOW HARDWARE & LINEALS



## Sash Corner Clip

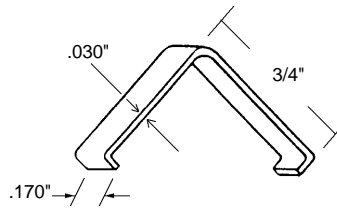
Part Number

**5-392**

Material: Steel

Unit: Each      Bulk: 100 Pcs.

Used By: Several Manufacturers



## Sash Corner Clip

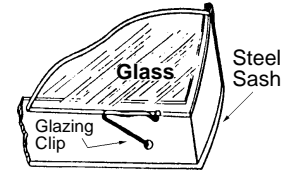
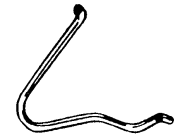
Part Number

**5-393**

Material: Steel

Unit: Each      Bulk: 100 Pcs.

Used By: Several Manufacturers



## Sash Clip

Part Number

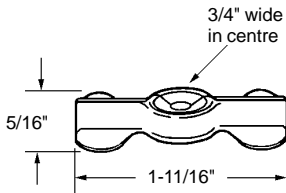
**5-380**

Material: Steel

Unit: Each      Bulk: 100 Pcs.

Used By: Several Manufacturers

- To hold fixed window frames and window screens in place.
- For narrow rail applications with 2 adjacent screens.



## Double Storm Window Clip

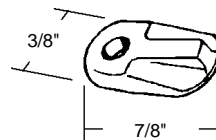
Part Number

**5-484**

Material: Zinc Plated Steel

Unit: Each      Bulk: 100 Pcs.

Used By: Several Manufacturers



## Storm Window Clip

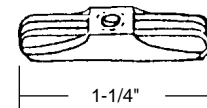
Part Number

**5-407**

Material: Plastic

Unit: Each      Bulk: 100 Pcs.

Used By: Several Manufacturers



## Double Storm Window Clip

Part Number

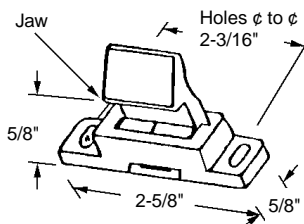
**5-407D**

Material: Plastic

Unit: Each      Bulk: 100 Pcs.

Used By: Several Manufacturers

- Jaw height is from underside of base to catch point: 9/16".



## Sliding Window Lock

Part Number      Material      Colour

**5-402**      **Plastic**      **White**

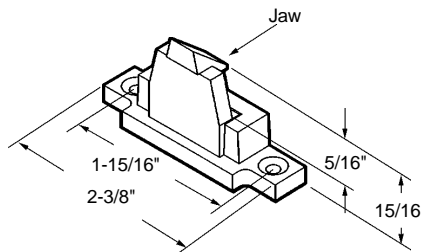
**5-435\***      **Metal**      **Chrome**

Unit: Each      Bulk: 100 Pcs.      \*25 Pcs.

Used By: Alcan



- Jaw height is from underside of base to catch point: 7/8".



## Sliding Window Lock

Part Number      Material      Colour

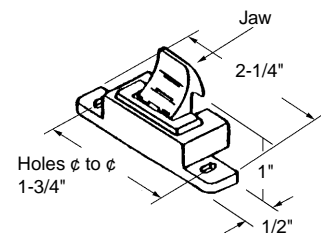
**5-405-A\***      **Plastic**      **White**

**5-405**      **Metal**      **Chrome**

Unit: Each      Bulk: 50 Pcs.      \*100 Pcs.

Used By: P.H. Tech

- Jaw height is from underside of base to catch point: 15/16".



## Sliding Window Lock

Part Number

**5-357**

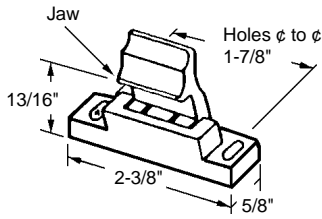
Material: Plastic

Colour: White

Unit: Each      Bulk: 50 Pcs.

Used By: Solaris

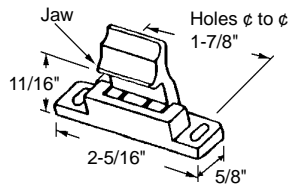
•Jaw height is from underside of base to catch point: 3/4".



**Sliding Window Lock**

Part Number  
**5-358**  
 Material: Nylon  
 Colour: White  
 Unit: Each      Bulk: 50 Pcs.  
 Used By: Indal

•Jaw height is from underside of base to catch point: 11/16".



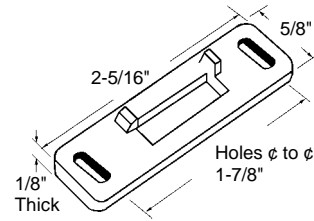
**Sliding Window Lock**

Part Number  
**5-403**  
 Material: Nylon  
 Colour: White  
 Unit: Each      Bulk: 100 Pcs.  
 Used By: Several Manufacturers

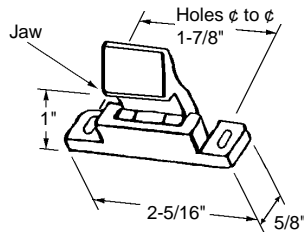


**Shim for Sliding Window Lock 5-403**

Part Number  
**5-471**  
 Material: Nylon  
 Colour: White  
 Unit: Each      Bulk: 100 Pcs.  
 Used By: Several Manufacturers



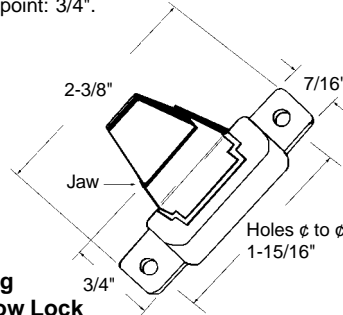
•Jaw height is from underside of base to catch point: 15/16".



**Sliding Window Lock**

Part Number      Colour  
**5-440**      ~~White~~ (Discontinued)  
**5-440B**      **Brown**  
 Material: Plastic  
 Unit: Each      Bulk: 100 Pcs.  
 Used By: Several Manufacturers

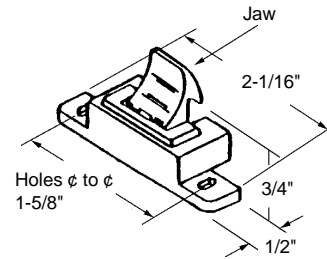
•Jaw height is from underside of base to catch point: 3/4".



**Sliding Window Lock**

Part Number  
**5-467**  
 Material: Die Cast  
 Colour: Chrome  
 Unit: Each      Bulk: 100 Pcs.  
 Used By: Several Manufacturers

•Jaw height is from underside of base to catch point: 11/16".

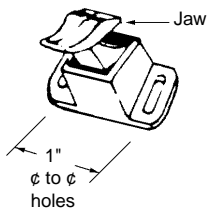


**Sliding Window Lock**

Part Number  
**5-419**  
 Material: Nylon  
 Colour: White  
 Unit: Each      Bulk: 100 Pcs.  
 Used By: Several Manufacturers

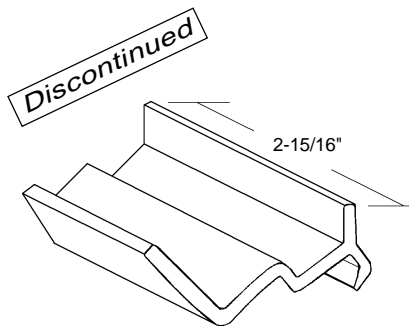


•Jaw height is from underside of base to catch point: 11/16".



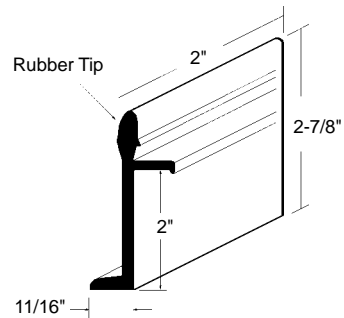
**Sliding Window Lock**

Part Number  
**5-453**  
 Material: Plastic  
 Colour: White  
 Unit: Each      Bulk: 100 Pcs.  
 Used By: Several Manufacturers



**Sliding Window Fixed Panel Holder**

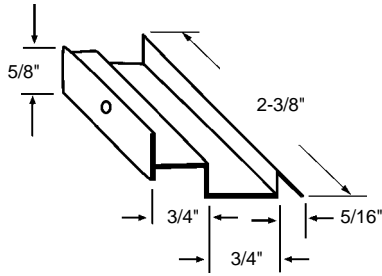
Part Number  
**5-495**  
 Material: Plastic  
 Colour: Black  
 Unit: N/A  
 Used By: Several Manufacturers



**Sliding Window Fixed Panel Holder**

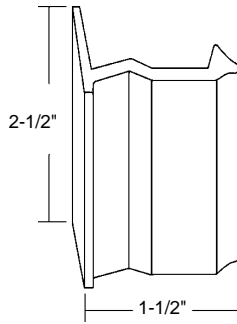
Part Number  
**5-501**  
 Material: Plastic  
 Colour: Black  
 Unit: Each      Bulk: 25 Pcs.  
 Used By: Several Manufacturers

# SLIDING WINDOW HARDWARE & LINEALS



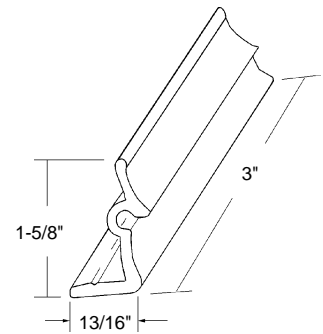
**Sliding Window Fixed Panel Holder**

Part Number  
**5-487**  
 Material: Plastic  
 Colour: Grey  
 Unit: Each      Bulk: 25 Pcs.  
 Used By: Several Manufacturers



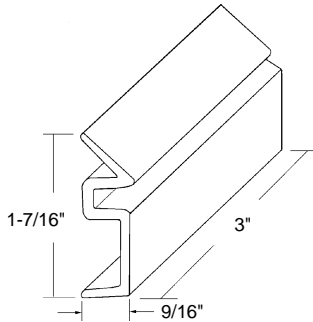
**Sliding Window Lock**

Part Number      Colour  
**5-502B**      **Brown**  
**5-502W**      **White**  
 Material: Plastic  
 Unit: Each      Bulk: 25 Pcs.  
 Used By: Primo



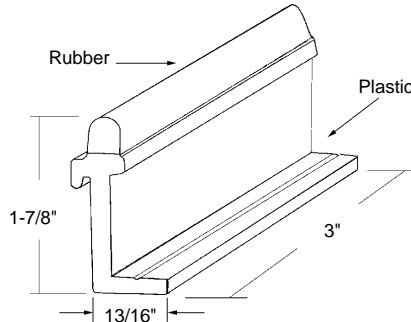
**Sliding Window Lock**

Part Number  
**5-509**  
 Material: Plastic  
 Colour: Black  
 Unit: Each      Bulk: 20 Pcs.  
 Used By: Several Manufacturers



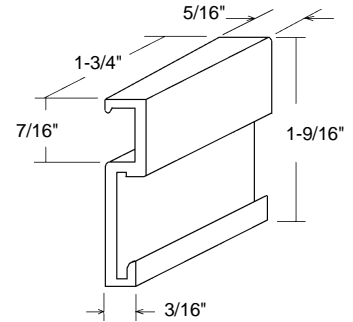
**Sliding Window Lock**

Part Number  
**5-510**  
 Material: Plastic  
 Colour: Grey  
 Unit: Each      Bulk: 100 Pcs.  
 Used By: Several Manufacturers



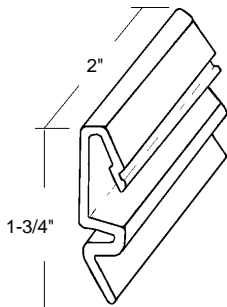
**Sliding Window Lock**

Part Number  
**5-512**  
 Material: Plastic/Rubber  
 Colour: Brown  
 Unit: Each      Bulk: 20 Pcs.  
 Used By: Several Manufacturers



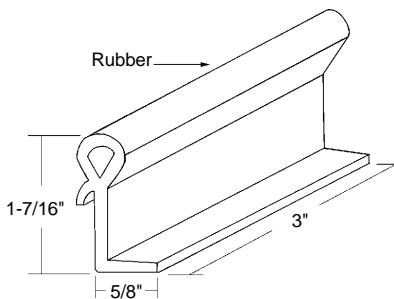
**Sliding Window Lock**

Part Number  
**5-366**  
 Material: Plastic  
 Colour: White  
 Unit: Each      Bulk: 25 Pcs.  
 Used By: Several Manufacturers



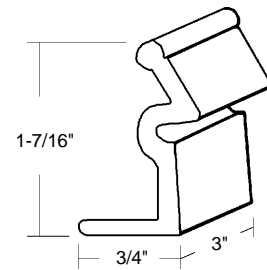
**Sliding Window Lock**

Part Number      Colour  
**5-367B**      **Brown**  
**5-367W**      **White**  
 Material: Vinyl  
 Unit: Each      Bulk: 25 Pcs.  
 Used By: Several Manufacturers



**Sliding Window Lock**

Part Number  
**5-511**  
 Material: Plastic  
 Colour: Black  
 Unit: Each      Bulk: 20 Pcs.  
 Used By: Several Manufacturers



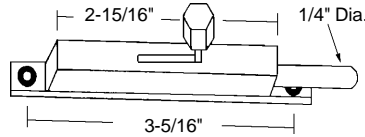
**Window Lock**

Part Number  
**5-500**  
 Material: Plastic  
 Colour: White  
 Unit: Each      Bulk: 50 Pcs.  
 Used By: Several Manufacturers

# SLIDING WINDOW HARDWARE & LINEALS

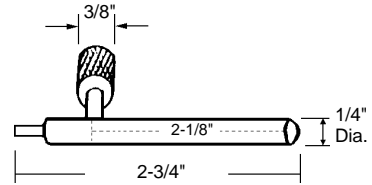


**Discontinued**



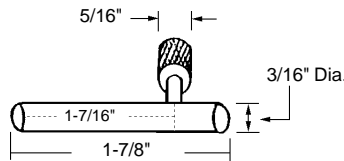
**Sliding Window Plunger Lock**

Part Number  
**401**  
Material: Steel  
Colour: White  
Unit: N/A  
Used By: Rusco



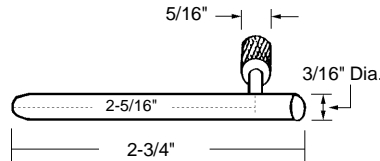
**Sliding Window Plunger Lock c/w Spring 5-408**

Part Number  
**5-409**  
Material: Steel  
Finish: Mill  
Unit: Each      Bulk: 25 Pcs.  
Used By: Indal/W.A.P.



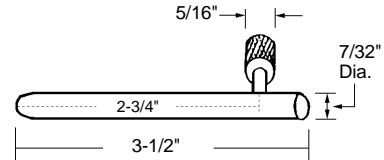
**Sliding Window Plunger Lock c/w Spring 5-408**

Part Number  
**5-410**  
Material: Steel  
Finish: Mill  
Unit: Each      Bulk: 25 Pcs.  
Used By: Indal/W.A.P.



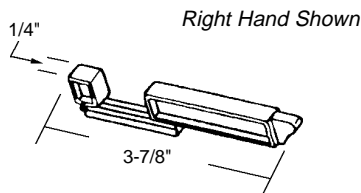
**Sliding Window Plunger Lock c/w Spring 5-408**

Part Number  
**5-410A**  
Material: Steel  
Finish: Mill  
Unit: Each      Bulk: 25 Pcs.  
Used By: Indal/W.A.P.



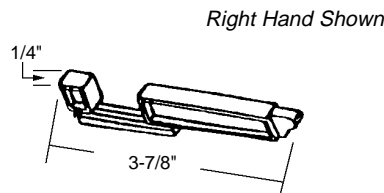
**Sliding Window Plunger Lock c/w Spring 5-408**

Part Number  
**5-410B**  
Material: Steel  
Finish: Mill  
Unit: Each      Bulk: 25 Pcs.  
Used By: Indal/W.A.P.



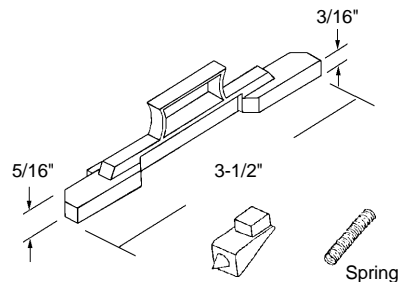
**Window Slide Lock c/w Spring**

Part Number      Hand  
**5-404L**      **Left**  
**5-404R**      **Right**  
Material: Plastic  
Colour: White  
Unit: Each      Bulk: 100 Pcs.  
Used By: Kaufmann



**Window Slide Lock c/w Spring**

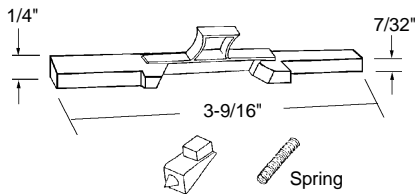
Part Number      Hand  
**5-414L**      **Left**  
**5-414R**      **Right** ★  
Material: Die Cast  
Finish: Mill  
Unit: Each      Bulk: 100 Pcs.  
Used By: Kaufmann



**Sliding Window Plunger Lock**

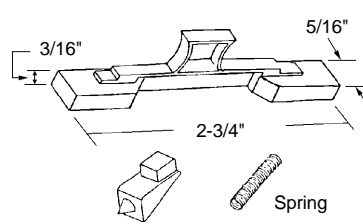
Part Number  
**5-456** ★  
Material: Die Cast  
Finish: Mill  
Unit: Each      Bulk: 100 Pcs.  
Used By: Several Manufacturers

# SLIDING WINDOW HARDWARE & LINEALS




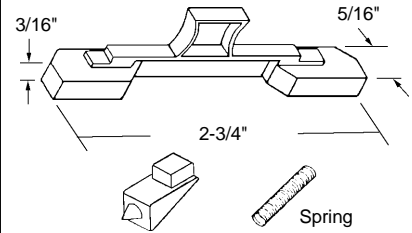
## Sliding Window Plunger Lock

Part Number  
**5-475**  
 Material: Die Cast  
 Finish: Mill  
 Unit: Each      Bulk: 100 Pcs.  
 Used By: Indal/W.A.P.




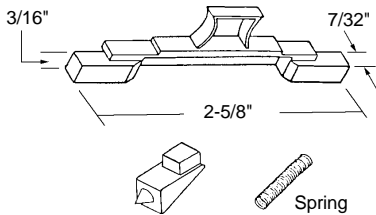
## Sliding Window Plunger Lock

Part Number  
**5-412**   
 Material: Die Cast  
 Finish: Mill  
 Unit: Each      Bulk: 100 Pcs.  
 Used By: Several Manufacturers




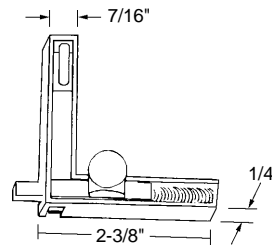
## Sliding Window Plunger Lock

Part Number  
**5-412A**   
 Material: Die Cast  
 Finish: Mill  
 Unit: Each      Bulk: 100 Pcs.  
 Used By: Several Manufacturers



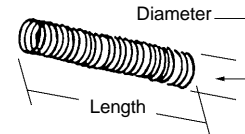
## Sliding Window Plunger Lock

Part Number  
**5-411**   
 Material: Die Cast  
 Finish: Mill  
 Unit: Each      Bulk: 100 Pcs.  
 Used By: Several Manufacturers



## Corner Plunger Lock

Part Number  
**5-447**  
 Material: Plastic  
 Colour: White  
 Unit: Each      Bulk: 50 Pcs.  
 Used By: Several Manufacturers

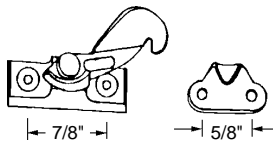


## Sliding Window Spring

Part Number	Diameter	Length
<b>5-408</b>	.217"	1-1/2"
<b>5-408A</b>	.187"	1-1/2"
<b>5-408B</b>	.290"	2-7/8"

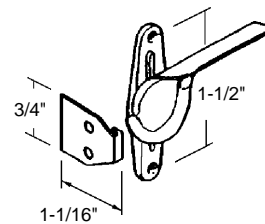
Material: Spring  
 Unit: Each      Bulk: 100 Pcs.  
 Used By: Several Manufacturers

**Discontinued**



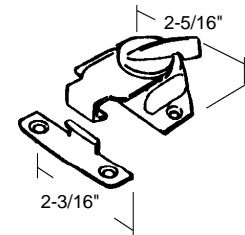
## Sliding Window Lock

Part Number  
**5-423**  
 Material: Die Cast/Steel  
 Finish: Silver  
 Unit: N/A  
 Used By: Several Manufacturers



## Sliding Window Lock

Part Number  
**5-413**  
 Material: Die Cast Housing/Steel Keeper  
 Finish: Silver  
 Unit: Each      Bulk: 25 Pcs.  
 Used By: Several Manufacturers

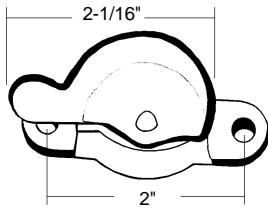


## Sliding Window Cam Lock

Part Number  
**5-421**  
 Material: Metal  
 Finish: Silver  
 Unit: Each      Bulk: 25 Pcs.  
 Used By: Several Manufacturers

# SLIDING WINDOW HARDWARE & LINEALS

•Keepers sold separately, 5-423A/B/C.



### Double Hung Sash Lock

Part Number

**5-417**

Material: Metal

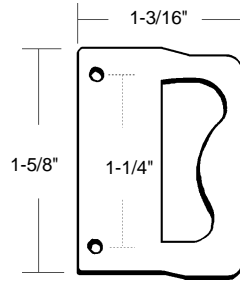
Colour: Brown

Unit: Each

Bulk: 10 Pcs.

Used By: Several Manufacturers

•Keeper for sash lock 5-417.



### Sliding Window Lock Strike

Part Number

**5-423A**

Material: Steel

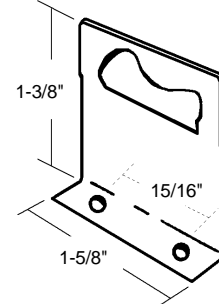
Finish: Silver

Unit: Each

Bulk: 25 Pcs.

Used By: Several Manufacturers

•Keeper for sash lock 5-417.



### Sliding Window Lock Strike

Part Number

**5-423B**

Material: Steel

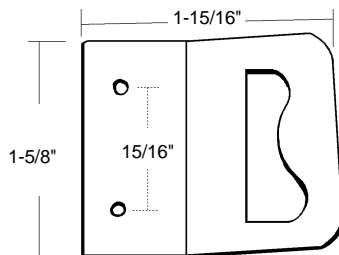
Finish: Silver

Unit: Each

Bulk: 25 Pcs.

Used By: Several Manufacturers

•Keeper for sash lock 5-417.



### Sliding Window Lock Strike

Part Number

**5-423C**

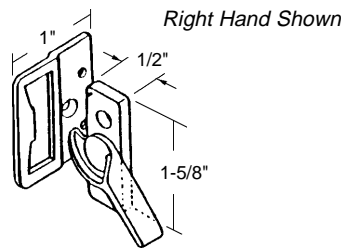
Material: Steel

Finish: Silver

Unit: Each

Bulk: 25 Pcs.

Used By: Several Manufacturers



### Sliding Window Lock

Part Number      Hand

**5-426L**              **Left**

**5-426R**              **Right**

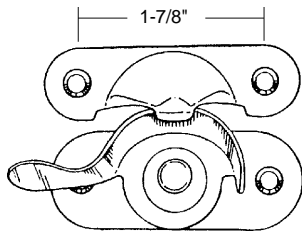
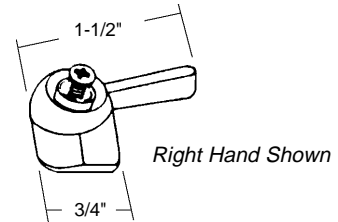
Material: Zinc Plated Die Cast

Finish: Silver

Unit: Each

Bulk: 100 Pcs.

Used By: Several Manufacturers



### Double Hung Sash Lock

Part Number

**5-466**

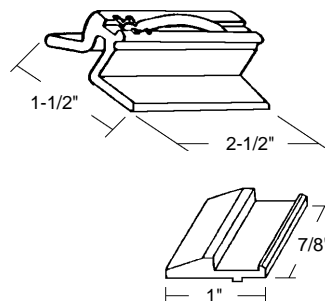
Material: Metal

Finish: Brass Plated

Unit: Each

Bulk: 100 Pcs.

Used By: Several Manufacturers



### Sliding Window Lock c/w Strike

Part Number

**5-418**

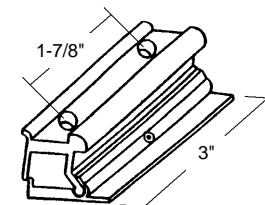
Material: Aluminum

Finish: Mill

Unit: Each

Bulk: 25 Pcs.

Used By: Supreme



### Sliding Window Centre Lock

Part Number

**5-422**

Material: Extruded Aluminum

Finish: Mill

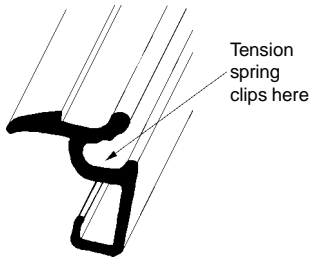
Unit: Each

Bulk: 25 Pcs.

Used By: Futurama

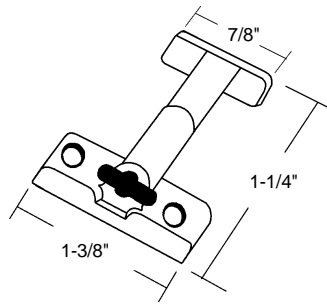
# SLIDING WINDOW HARDWARE & LINEALS

•Type "C" sash on page 5-39.



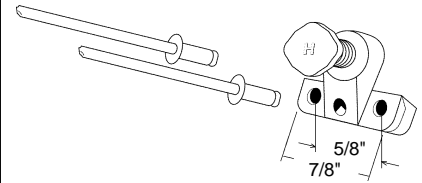
## Sliding Window Centre Lock c/w Tension Spring for Type "C" Sash

Part Number  
**5-2241-C**  
 Material: Aluminum  
 Colour: White  
 Unit: Each      Bulk: 25 Pcs.  
 Used By: Wescab



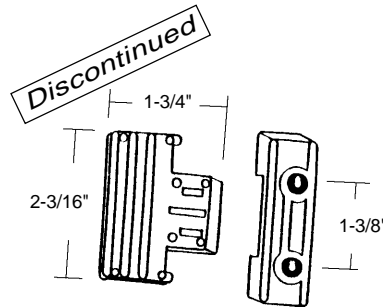
## Sliding Window Centre Lock

Part Number  
**5-364**  
 Material: Die Cast  
 Finish: Mill  
 Unit: Each      Bulk: 10 Pcs.  
 Used By: Humphrey



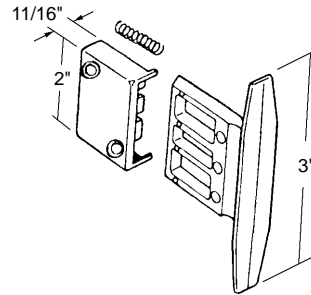
## Sliding Window Lock c/w 2 Rivets

Part Number  
**5-503**  
 Material: Plastic  
 Colour: Grey  
 Unit: Each      Bulk: 10 Pcs.  
 Used By: Humphrey



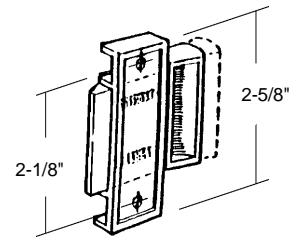
## Sliding Window Centre Lock

Part Number  
**5-416**  
 Material: Plastic  
 Colour: Black  
 Unit: Each      Bulk: 25 Pcs.  
 Used By: Custom



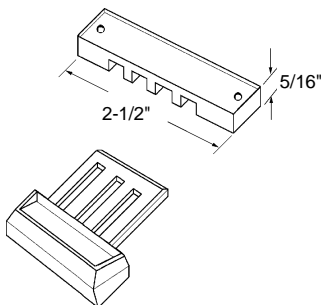
## Sliding Window Centre Lock

Part Number  
**5-450**  
 Material: Plastic  
 Colour: Black  
 Unit: Each      Bulk: 50 Pcs.  
 Used By: Gienow



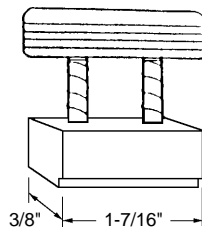
## Sliding Window Centre Lock

Part Number  
**5-415**  
 Material: Die Cast  
 Finish: Zinc Plated  
 Unit: Each      Bulk: 100 Pcs.  
 Used By: Several Manufacturers



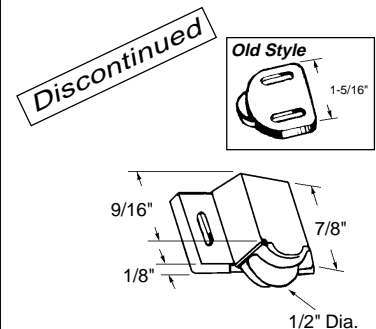
## Sliding Window Centre Lock

Part Number  
**5-451**  
 Material: Plastic  
 Colour: White  
 Unit: Each      Bulk: 100 Pcs.  
 Used By: Several Manufacturers



## Sliding Window Centre Lock

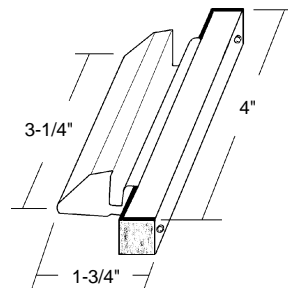
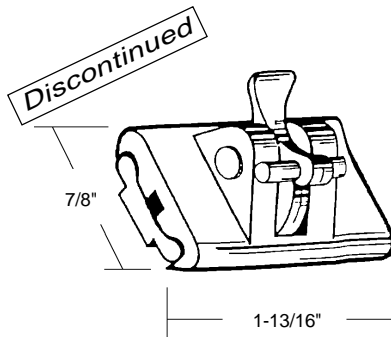
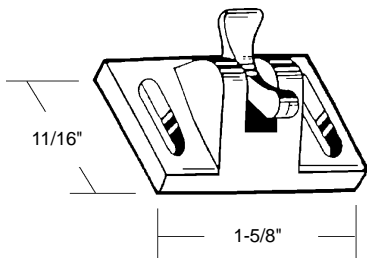
Part Number  
**5-430**  
 Material: Plastic  
 Colour: White  
 Unit: Each      Bulk: 25 Pcs.  
 Used By: Several Manufacturers



## Sliding Window Lock

Part Number  
**5-365**  
 Housing: Metal  
 Wheel: Plastic  
 Finish: Mill  
 Unit: N/A  
 Used By: Several Manufacturers

# SLIDING WINDOW HARDWARE & LINEALS

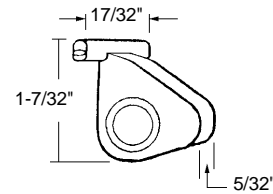
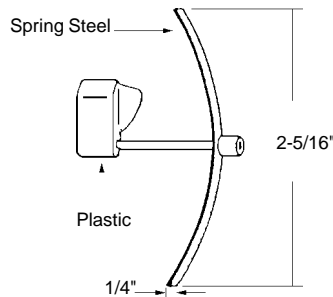
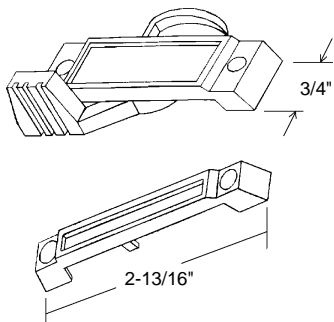


### Sliding Window Lock

Part Number  
**5-399**  
 Material: Nylon  
 Colour: Tan  
 Unit: N/A  
 Used By: Several Manufacturers

### Sliding Window Lock

Part Number      Hand  
**5-443L**              **Left**  
**5-443R**              **Right**  
 Material: Aluminum  
 Finish: Clear Anodized  
 Unit: Each          Bulk: 5 Pcs.  
 Used By: P.H. Tech



### Sliding Window Lock c/w Strike

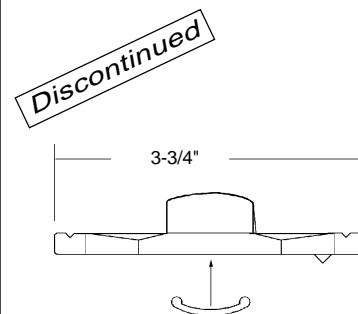
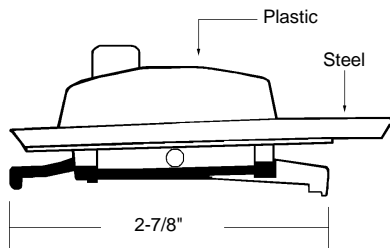
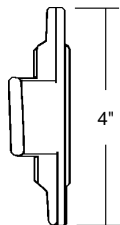
Part Number  
**5-448**  
 Material: Die Cast  
 Colour: White  
 Unit: Each          Bulk: 25 Pcs.  
 Used By: Several Manufacturers

### Sliding Window Lock

Part Number  
**5-457**  
 Material: Plastic/Spring Steel  
 Colour: Grey  
 Unit: Each          Bulk: 25 Pcs.  
 Used By: Humphrey

### Storm Window Lock

Part Number  
**5-446**  
 Material: Nylon  
 Colour: White  
 Unit: Each          Bulk: 100 Pcs.  
 Used By: Several Manufacturers



### Sliding Window Drop Lock

Part Number  
**5-444**  
 Material: Die Cast  
 Finish: Mill  
 Unit: Each          Bulk: 25 Pcs.  
 Used By: Almetco



### Sliding Window Drop Lock

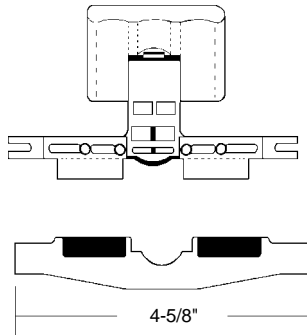
Part Number  
**5-478**  
 Material: Plastic/Steel  
 Colour: Black  
 Unit: Each          Bulk: 25 Pcs.  
 Used By: Hialco

### Sliding Window Drop Lock c/w Spring

Part Number  
**5-480**  
 Material: Die Cast  
 Colour: Black  
 Unit: N/A  
 Used By: Indal/W.A.P.



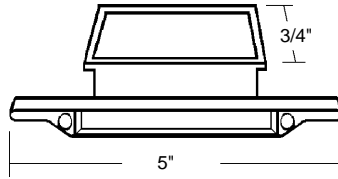
# SLIDING WINDOW HARDWARE & LINEALS



## Sliding Window Drop Lock

Part Number  
**5-477BR**  
 Material: Plastic  
 Colour: Brown  
 Unit: Each      Bulk: 25 Pcs.  
 Used By: Indal/W.A.P.

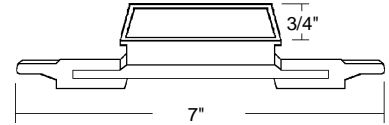
*Discontinued*



## Sliding Window Drop Lock

Part Number  
**5-439**  
 Material: Die Cast  
 Colour: Black  
 Unit: N/A  
 Used By: Everbrite

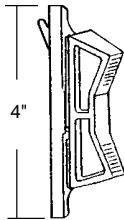
*Discontinued*



## Sliding Window Drop Lock

Part Number  
**5-505**  
 Material: Die Cast  
 Colour: Black  
 Unit: N/A  
 Used By: Everbrite

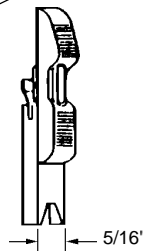
*Discontinued*



## Sliding Window Drop Lock

Part Number  
**5-445**  
 Material: Steel Housing/Plastic Handle  
 Finish: Mill/Black  
 Unit: N/A  
 Used By: Almetco

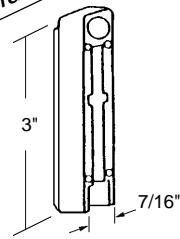
*Discontinued*



## Sliding Window Drop Lock

Part Number  
**5-441**  
 Material: Zinc Plated Die Cast  
 Finish: Mill  
 Unit: N/A  
 Used By: Wescraft

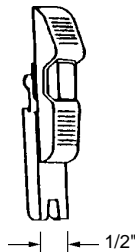
*Discontinued*



## Holder for Sliding Window Drop Lock 5-441

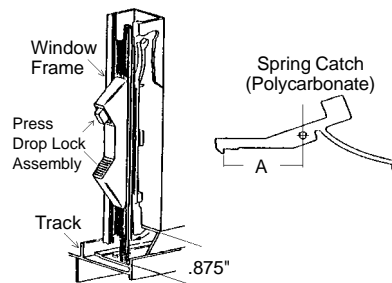
Part Number  
**5-441H**  
 Material: Die Cast  
 Finish: Mill  
 Unit: N/A  
 Used By: Wescraft

*Discontinued*



## Sliding Window Drop Lock

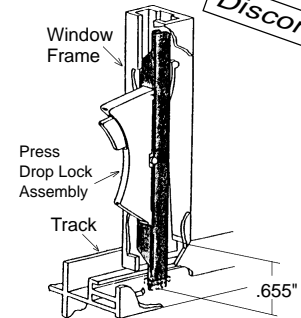
Part Number  
**5-442**  
 Material: Zinc Plated Die Cast  
 Finish: Mill  
 Unit: N/A  
 Used By: Wescraft



## Sliding Window Drop Lock

Part Number      A  
 (Spring Catch Size)  
**5-436A**      2.000"  
**5-436B**      1.850"  
**5-436C**      1.750"  
 Material: Polycarbonate/Steel  
 Colour: Black  
 Unit: Each      Bulk: 25 Pcs.  
 Used By: Several Manufacturers

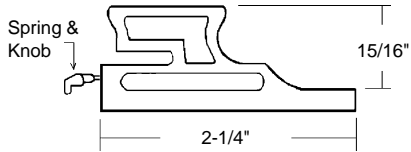
*Discontinued*



## Sliding Window Drop Lock

Part Number  
**5-437**  
 Material: Polycarbonate/Steel  
 Colour: Black  
 Unit: N/A  
 Used By: Several Manufacturers

# SLIDING WINDOW HARDWARE & LINEALS



## Mark 5 Window Latch

Part Number

**5-514**

Material: Plastic

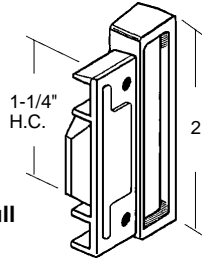
Colour: White

Unit: Each

Bulk: 20 Pcs.

Used By: Indal/W.A.P.

- Automatic latching feature.
- Surface mount.
- 1 injected plastic pull c/w spring.
- 2 #8x1/2" Phillips sheet metal screws.



## Window Pull & Latch

Part Number

**5-504**

Material: Plastic

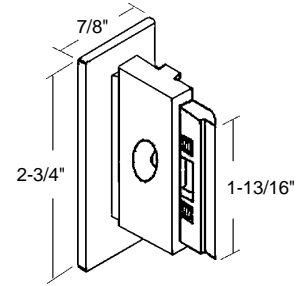
Colour: Black

Unit: Each

Bulk: 10 Pcs.

Used By: Several Manufacturers

- Spring loaded automatic latching feature.



## Sliding Window Pull & Latch

Part Number

**5-427**

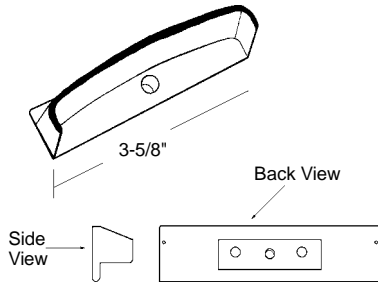
Material: Plastic

Colour: Black

Unit: Each

Bulk: 20 Pcs.

Used By: Several Manufacturers



## Sliding Window Pull

Part Number

**5-485**

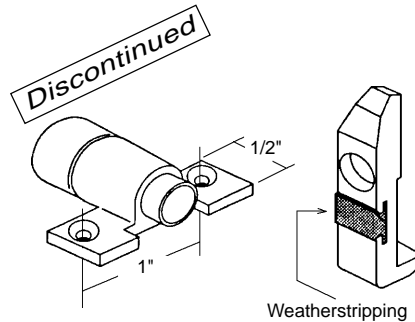
Material: Nylon

Colour: Brown

Unit: Each

Bulk: 100 Pcs.

Used By: Indal



## Sliding Window Latch

Part Number

**5-359**

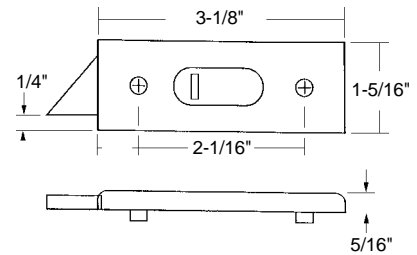
Material: Plastic/Metal

Colour: White

Unit: N/A

Used By: Several Manufacturers

Left Hand Shown



## Top Mount Tilt Latch

Part Number

Hand

**5-506L**

**Left**

**5-506R**

**Right**

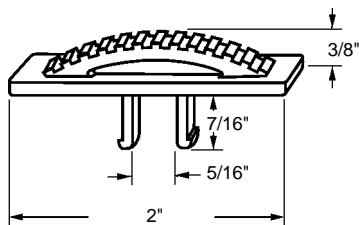
Material: Plastic

Colour: White

Unit: Each

Bulk: 100 Pcs.

Used By: Several Manufacturers



## Slide Lock

Part Number

**5-397**

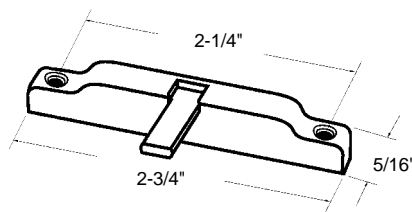
Material: Plastic

Colour: White

Unit: Each

Bulk: 100 Pcs.

Used By: Several Manufacturers



## Night Latch

Part Number

**5-455**

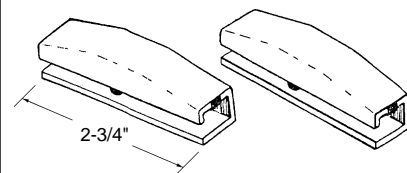
Material: Plastic

Colour: White

Unit: Each

Bulk: 100 Pcs.

Used By: All Weather



## Window Vent Lock

Part Number

**5-507**

Material: Steel

Finish: Zinc Plated

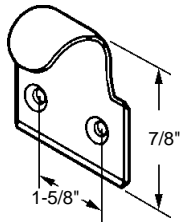
Unit: Pair

Bulk: 10 Pair

Used By: Several Manufacturers

# SLIDING WINDOW HARDWARE & LINEALS

•Used on double-hung wood windows.



## Window Sash Lift

Part Number

**5-431**

Material: Plated Steel

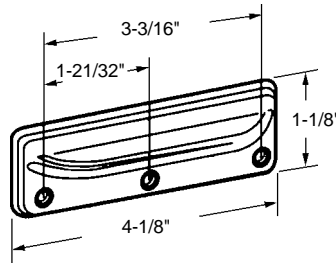
Finish: Bright Brass

Unit: Pair

Bulk: 100 Pair

Used By: Several Manufacturers

•Used on double-hung windows.



## Window Sash Lift

Part Number

**5-401**

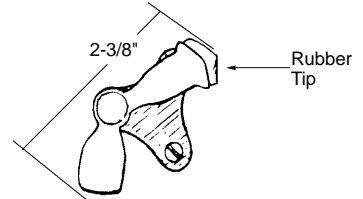
Material: Steel

Finish: Chrome

Unit: Each

Bulk: 25 Pcs.

Used By: Several Manufacturers



## Gravity Window Holder

Part Number

**5-452**

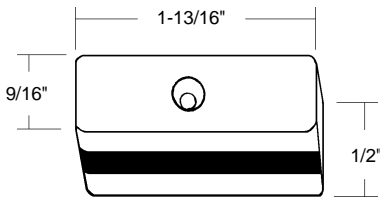
Material: Zinc Die Cast

Finish: Silver

Unit: Each

Bulk: 10 Pcs.

Used By: Several Manufacturers



## Sliding Window Stop/Holder

Part Number

**5-400**

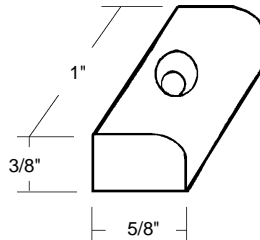
Material: Plastic

Colour: Brown

Unit: Each

Bulk: 25 Pcs.

Used By: Indal/W.A.P.



## Sliding Window Stop/Holder

Part Number

**5-498**

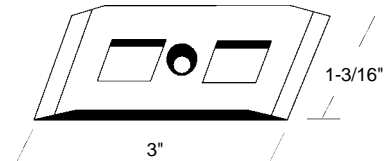
Material: Plastic

Colour: Black

Unit: Each

Bulk: 25 Pcs.

Used By: Indal/W.A.P.



## Sliding Window Strike

Part Number

**5-499**

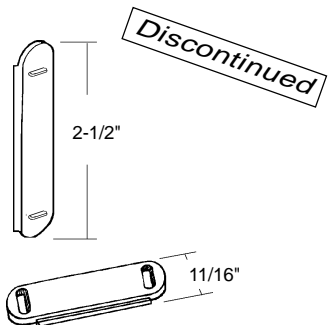
Material: Aluminum

Colour: White

Unit: Each

Bulk: 100 Pcs.

Used By: Indal/W.A.P.



## Sliding Window Lock Shim

Part Number

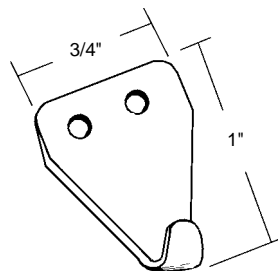
**5-454**

Material: Plastic

Colour: White

Unit: N/A

Used By: Indal/W.A.P.



## Window Lock Keeper

Part Number

**5-368**

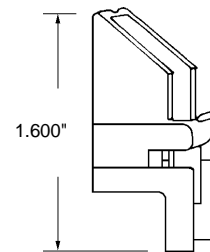
Material: Plated Steel

Finish: Chrome

Unit: Each

Bulk: 100 Pcs.

Used By: Several Manufacturers



## Sash Balance Guide — Top

Part Number

**5-490**

Material: Plastic

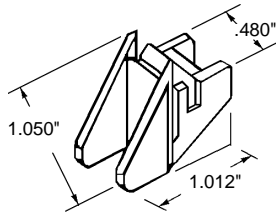
Colour: Off-White

Unit: Each

Bulk: 100 Pcs.

Used By: Several Manufacturers

# SLIDING WINDOW HARDWARE & LINEALS



### Sash Balance Guide – Bottom

Part Number

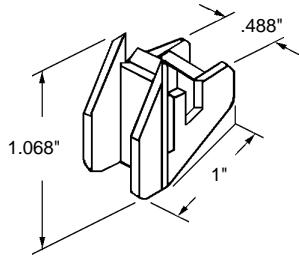
**5-491**

Material: Plastic

Colour: Off-White

Unit: Each      Bulk: 100 Pcs.

Used By: Several Manufacturers



### Sash Balance Guide – Bottom

Part Number

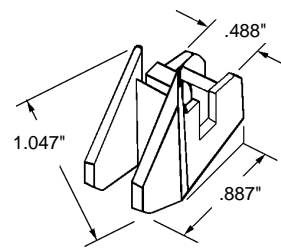
**5-492**

Material: Plastic

Colour: Off-White

Unit: Each      Bulk: 100 Pcs.

Used By: Several Manufacturers



### Sash Balance Guide — Bottom

Part Number

**5-493**

Material: Plastic

Colour: Off-White

Unit: Each      Bulk: 100 Pcs.

Used By: Several Manufacturers

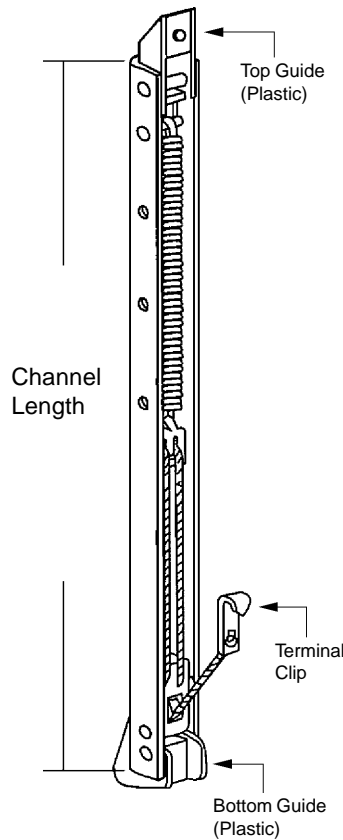
### Window Sash Balances

Part Number	Number Stamped in Balance	Sash Weight (Lbs.)	Channel Length
5-1120	1120 or 11B	2-5	12"
5-1220	1220 or 12B	6-9	13"
5-1420	1420 or 14B	6-10	15"
5-1520	1520 or 15B	6-10	16"
5-1610	1610 or 16A	5-8	17"
5-1720	1720 or 17B	8-12	18"
5-1810	1810 or 18A	5-8	19"
5-1820	1820 or 18B	8-12	19"
5-1910	1910 or 19A	5-8	20"
5-1920	1920 or 19B	8-12	20"
5-1930	1930 or 19C	12-14	20"
5-2020	2020 or 20B	8-12	21"
5-2030	2030 or 20C	12-15	21"
5-2120	2120 or 21B	8-12	22"
5-2130	2130 or 21C	12-15	22"
5-2220	2220 or 22B	8-12	23"
5-2310	2310 or 23A	5-9	24"
5-2320	2320 or 23B	8-12	24"
5-2410	2410 or 24A	5-9	25"
5-2420	2420 or 24B	9-15	25"
5-2530	2530 or 25C	15-19	26"
5-2620	2620 or 26B	9-15	27"
5-2630	2630 or 26C	12-19	27"
5-2720	2720 or 27B	9-15	28"
5-2790	2790	34 Max.	28"
5-2810	2810 or 28A	7-12	29"
5-2830	2830 or 28C	16-23	29"
5-2910	2910 or 29A	7-12	30"
5-2930	2930 or 29C	16-23	30"
5-3020	3020 or 30B	12-16	31"
5-3030	3030 or 30C	16-23	31"
5-3110	3110 or 31A	7-12	32"
5-3140	3140 or 31D	23-28	32"
5-3220	3220 or 32B	13-18	33"
5-3920	3920 or 39B	14-19	40"

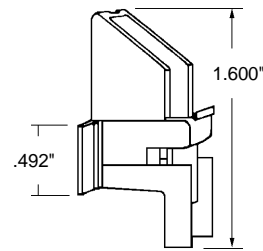
Material: Metal/Plastic/Rope

Unit: Each      Bulk: 20 Pcs.

Used By: Several Manufacturers



\*For other sizes, phone our order desk, 800.661.9951, for availability and pricing.



### Sash Balance Guide — Bottom

Part Number

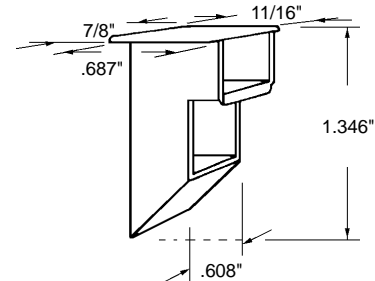
**5-494**

Material: Plastic

Colour: Off-White

Unit: Each      Bulk: 100 Pcs.

Used By: Several Manufacturers



### Sash Balance Cam

**5-488**

Material: Plastic

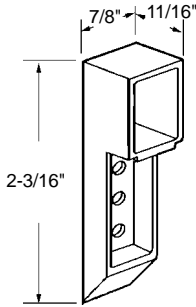
Colour: White

Unit: Each      Bulk: 100 Pcs.

Used By: Several Manufacturers

# SLIDING WINDOW HARDWARE & LINEALS

•Cams attach to top edge of vents and provide for proper operating clearance.



## Sash Balance Cam

**5-486**

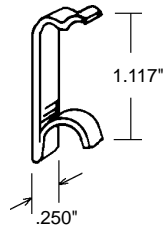
Material: Nylon

Colour: White

Unit: Each

Bulk: 100 Pcs.

Used By: Several Manufacturers



## Sash Balance Take-Out Clip

Part Number

**5-489**

Material: Steel

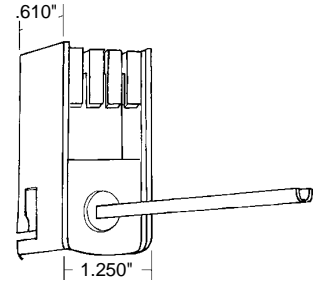
Finish: Mill

Unit: Each

Bulk: 100 Pcs.

Used By: Several Manufacturers

•For tilt wood-vinyl or aluminum windows.



## Sash Balance with Plastic Shoe

Part Number

**5-319**

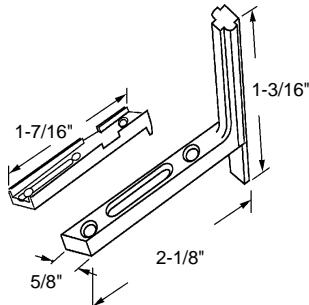
Material: Plastic/Steel

Colour: White

Unit: Each

Bulk: 50 Pcs.

Used By: Several Manufacturers



## Pivot Bar for Vertical Slider

Part Number

**5-513**

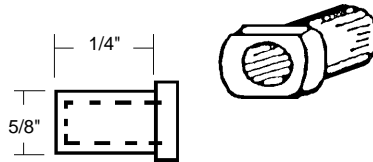
Material: Die Cast

Finish: Mill

Unit: Each

Bulk: 50 Pcs.

Used By: Several Manufacturers



## Drain Plug

Part Number

**5-508**

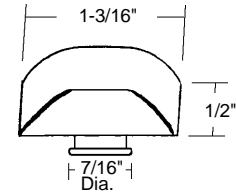
Material: Plastic

Colour: White

Unit: Each

Bulk: 100 Pcs.

Used By: Several Manufacturers



## Weep Hole Cover

Part Number

**5-396**

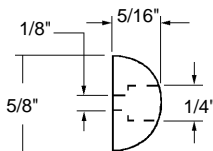
Material: Plastic

Colour: White

Unit: Each

Bulk: 100 Pcs.

Used By: Several Manufacturers



## Sliding Window Bumper

Part Number

**5-479**

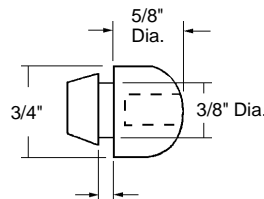
Material: Rubber

Colour: Grey

Unit: Each

Bulk: 100 Pcs.

Used By: Indal/W.A.P.



## Sliding Window Bumper

Part Number

**5-395**

Material: Rubber

Colour: Grey

Unit: Each

Bulk: 100 Pcs.

Used By: Several Manufacturers

•3/16" diameter special small head for fabricating aluminum sash.



## #6 x 1" Sash Screw

Part Number

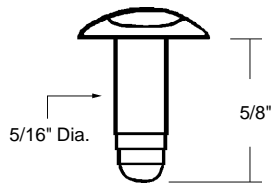
**5-356**

Material: Metal

Unit: Each

Bulk: 100 Pcs.

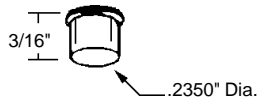
Used By: Several Manufacturers



### Sliding Window Plug

Part Number  
**5-428**  
 Material: Nylon  
 Colour: Clear  
 Unit: Each      Bulk: 100 Pcs.  
 Used By: Several Manufacturers

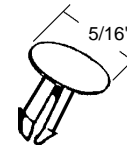
•For 7/32" hole.



### Sliding Window Plug/Glide Button

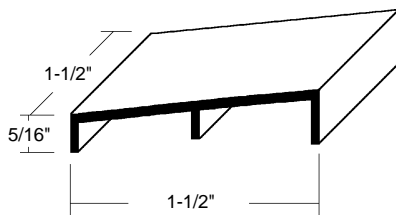
Part Number  
**5-420**  
 Material: Nylon  
 Colour: White  
 Unit: Each      Bulk: 100 Pcs.  
 Used By: Several Manufacturers

•For 3/16" hole.



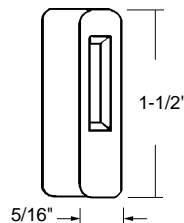
### Sliding Window Glide Button

Part Number  
**5-449**  
 Material: Nylon  
 Colour: White  
 Unit: Each      Bulk: 100 Pcs.  
 Used By: Several Manufacturers



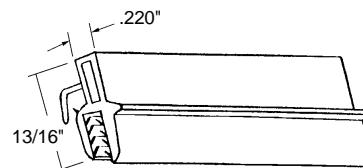
### Sliding Window Riser Block

Part Number      Colour  
**5-497B**      **Brown**  
**5-497W**      **White**  
 Material: Plastic  
 Unit: Each      Bulk: 50 Pcs.  
 Used By: Indal/W.A.P.



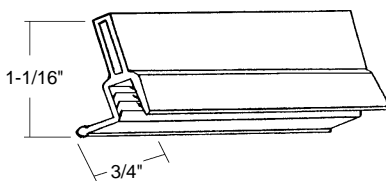
### Dust Block c/w Spring & Screw

Part Number  
**5-406**  
 Material: Nylon  
 Colour: White  
 Unit: Each      Bulk: 25 Pcs.  
 Used By: Wescab



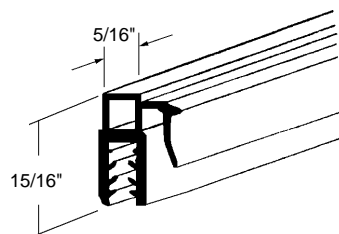
### Semi-Sashless Interlock

Part Number  
**5-2200I (Interlock)**  
 Material: PVC  
 Colour: White  
 Glass Thickness: 5mm (3/16")  
 Stock Length: 12'  
 Unit: Foot      Bulk: 120 Ft.  
 Used By: Loewen



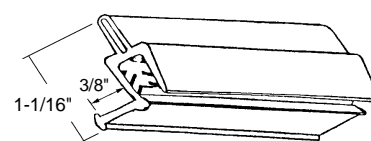
### Semi-Sashless Pull

Part Number  
**5-2200P (Pull)**  
 Material: PVC  
 Colour: White  
 Glass Thickness: 5mm (3/16")  
 Stock Length: 12'  
 Unit: Foot      Bulk: 120 Ft.  
 Used By: Loewen



### Semi-Sashless Interlock

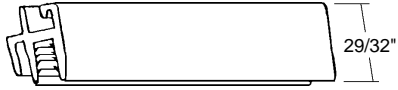
Part Number  
**5-2210I (Interlock)**  
 Material: PVC  
 Colour: White  
 Glass Thickness: 5mm (3/16")  
 Stock Length: 12'  
 Unit: Foot      Bulk: 120 Ft.  
 Used By: Several Manufacturers



### Semi-Sashless Pull

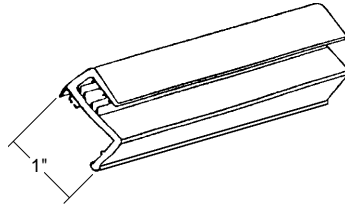
Part Number  
**5-2210P (Pull)**  
 Material: PVC  
 Colour: White  
 Glass Thickness: 5mm (3/16")  
 Stock Length: 12'  
 Unit: Foot      Bulk: 120 Ft.  
 Used By: Several Manufacturers

# SLIDING WINDOW HARDWARE & LINEALS



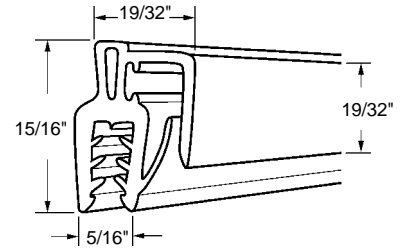
## Semi-Sashless Interlock

Part Number  
**5-2203I (Interlock)**  
 Material: PVC  
 Colour: White  
 Glass Thickness: 5mm (3/16")  
 Stock Length: 12'  
 Unit: Foot                  Bulk: 120 Ft.  
 Used By: Dashwood



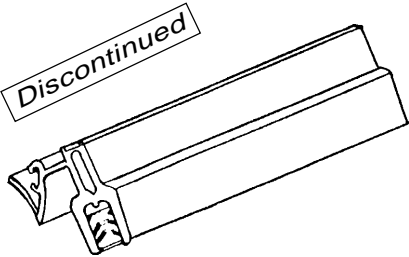
## Semi-Sashless Pull

Part Number  
**5-2203P (Pull)**  
 Material: PVC  
 Colour: White  
 Glass Thickness: 5mm (3/16")  
 Stock Length: 12'  
 Unit: Foot                  Bulk: 120 Ft.  
 Used By: Dashwood



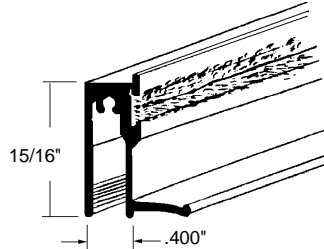
## Semi-Sashless Interlock

Part Number  
**5-2204I (Interlock)**  
 Material: PVC  
 Colour: White  
 Glass Thickness: 5mm (3/16")  
 Stock Length: 14' 6"  
 Unit: Foot                  Bulk: 87 Ft.  
 Used By: Several Manufacturers



## Semi-Sashless Interlock

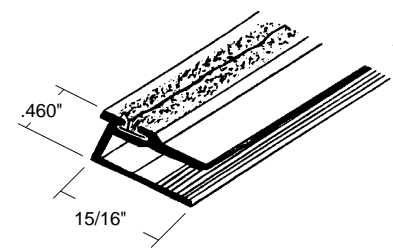
Part Number  
**5-2205I (Interlock)**  
 Material: PVC  
 Colour: White  
 Glass Thickness: 5mm (3/16")  
 Stock Length: N/A  
 Unit: N/A  
 Used By: All Weather



## Sash Pull Rail c/w Weatherstripping

Part Number	Colour
<b>5-2212B</b>	<b>Brown</b>
<b>5-2212W</b>	<b>White</b>

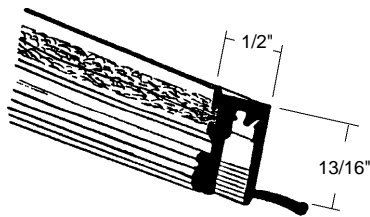
Material: Aluminum  
 Glass Thickness: 3mm (1/8")  
 Stock Length: 14'  
 Unit: Foot                  Bulk: 70 Ft.  
 Used By: Alcan



## Sash Top & Bottom Rail

Part Number	Colour
<b>5-2213B</b>	<b>Brown</b>
<b>5-2213W</b>	<b>White</b>

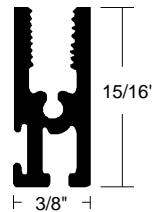
Material: Aluminum  
 Glass Thickness: 3mm (1/8")  
 Stock Length: 14'  
 Unit: Foot                  Bulk: 70 Ft.  
 Used By: Alcan



## Sash Interlock Pull Rail c/w Weatherstripping

Part Number	Colour
<b>5-2214B</b>	<b>Brown</b>
<b>5-2214W</b>	<b>White</b>

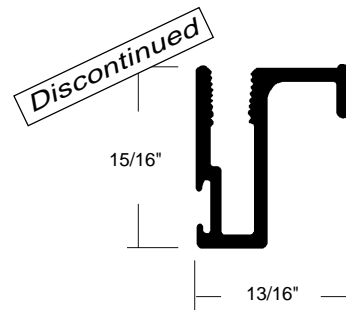
Material: Aluminum  
 Glass Thickness: 3mm (1/8")  
 Stock Length: 14'  
 Unit: Foot                  Bulk: 70 Ft.  
 Used By: Alcan



## Sash Top/Bottom Rail

Part Number	Colour
<b>5-2217-A</b>	<b>White</b>
<b>5-2217-AM</b>	<b>Mill</b>

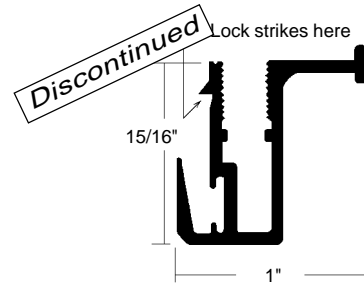
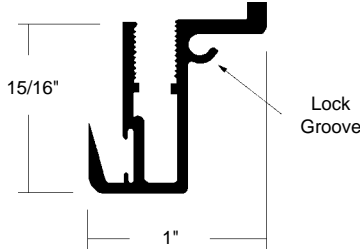
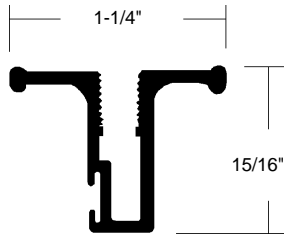
Material: Aluminum  
 Glass Thickness: 3mm (1/8")  
 Stock Length: 18'  
 Unit: Foot                  Bulk: 54 Ft.  
 Used By: Several Manufacturers



## Sash Pull Rail

Part Number  
**5-2218-A**  
 Material: Aluminum  
 Colour: White  
 Glass Thickness: 3mm (1/8")  
 Stock Length: 18'  
 Unit: N/A  
 Used By: Several Manufacturers

# SLIDING WINDOW HARDWARE & LINEALS

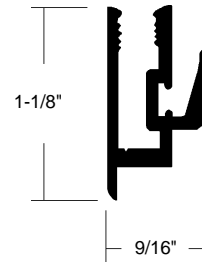
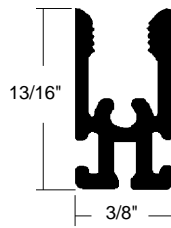
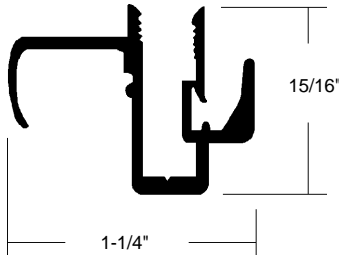


### Sash Meet/Pull Rail c/w Lock Groove

Part Number      Colour  
**5-2220-A**          **White**  
**5-2220-AM**       **Mill**  
Material: Aluminum  
Glass Thickness: 3mm (1/8")  
Stock Length: 18'  
Unit: Foot            Bulk: 54 Ft.  
Used By: Several Manufacturers

### Sash Meet/Pull Rail

Part Number  
**5-2221-A**  
Material: Aluminum  
Colour: White  
Glass Thickness: 3mm (1/8")  
Stock Length: 18'  
Unit: N/A  
Used By: Several Manufacturers



### Sash Meet/Pull Rail

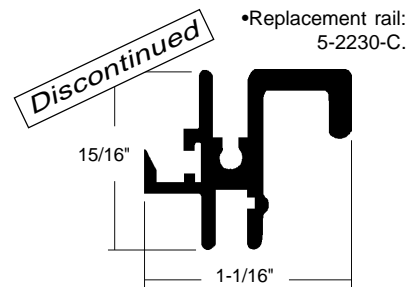
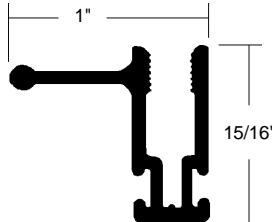
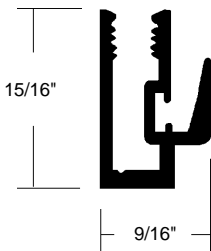
Part Number      Colour  
**5-2222-B**          **White**  
**5-2222-BM**       **Mill**  
Material: Aluminum  
Glass Thickness: 3mm (1/8")  
Stock Length: 18'  
Unit: Foot            Bulk: 54 Ft.  
Used By: Award/Supreme

### Sash Top & Bottom Rail

Part Number      Colour  
**5-2223-B**          **White**  
**5-2223-BM**       **Mill**  
Material: Aluminum  
Glass Thickness: 3mm (1/8")  
Stock Length: 18'  
Unit: Foot            Bulk: 54 Ft.  
Used By: Award/Supreme

### Sash Fixed Panel Meet Rail

Part Number      Colour  
**5-2224-B**          **White**  
**5-2224-BM**       **Mill**  
Material: Aluminum  
Glass Thickness: 3mm (1/8")  
Stock Length: 18'  
Unit: Foot            Bulk: 54 Ft.  
Used By: Award/Supreme



### Sash Meet Rail

Part Number      Colour  
**5-2225-B**          **White**  
**5-2225-BM**       **Mill**  
Material: Aluminum  
Glass Thickness: 3mm (1/8")  
Stock Length: 18'  
Unit: Foot            Bulk: 54 Ft.  
Used By: Award/Supreme

### Sash Pull Rail

Part Number      Colour  
**5-2226-B**          **White**  
**5-2226-BM**       **Mill**  
Material: Aluminum  
Glass Thickness: 3mm (1/8")  
Stock Length: 18'  
Unit: Foot            Bulk: 54 Ft.  
Used By: Award/Supreme

### Outside Sash Meet Rail

Part Number  
**5-2227-C**  
Material: Aluminum  
Colour: White  
Glass Thickness: 3mm (1/8")  
Stock Length: 18'  
Unit: N/A  
Used By: Wescab

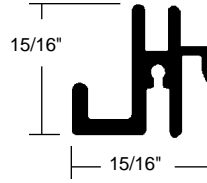


**Discontinued**



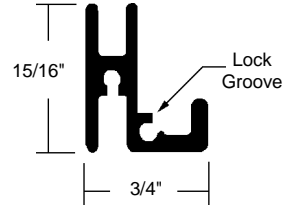
**Sash Top/Bottom Rail**

Part Number  
**5-2228-C**  
 Material: Aluminum  
 Colour: White  
 Glass Thickness: 3mm (1/8")  
 Stock Length: 18'  
 Unit: N/A  
 Used By: Wescab



**Inside Sash Meet Rail**

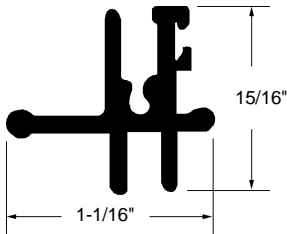
Part Number  
**5-2229-C**  
 Material: Aluminum  
 Colour: White  
 Glass Thickness: 3mm (1/8")  
 Stock Length: 18'  
 Unit: Foot      Bulk: 54 Ft.  
 Used By: Wescab



**Sash Pull Rail**

Part Number  
**5-2230-C**  
 Material: Aluminum  
 Colour: White  
 Glass Thickness: 3mm (1/8")  
 Stock Length: 18'  
 Unit: Foot      Bulk: 54 Ft.  
 Used By: Wescab

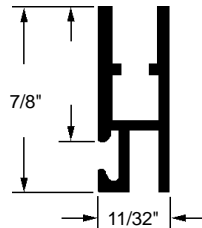
•Will be discontinued when stock runs out.



**Sash Pull Rail**

Part Number	Colour
<b>5-2231-D</b>	<b>White</b> (Discontinued)
<b>5-2231-D-B</b>	<b>Brown</b>

Material: Aluminum  
 Glass Thickness: 3mm (1/8")  
 Stock Length: 13'  
 Unit: Foot      Bulk: 65 Ft.  
 Used By: Indal/W.A.P.

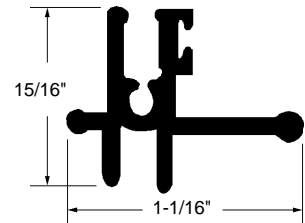


**Sash Top/Bottom Rail**

Part Number	Colour
<b>5-2232-D</b>	<b>White</b> (Discontinued)
<b>5-2232-D-B</b>	<b>Brown</b>

Material: Aluminum  
 Glass Thickness: 3mm (1/8")  
 Stock Length: 13'  
 Unit: Foot      Bulk: 65 Ft.  
 Used By: Indal/W.A.P.

•Will be discontinued when stock runs out.

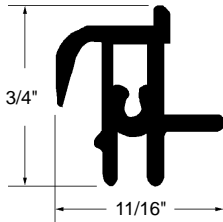


**Sash Pull Rail**

Part Number	Colour
<b>5-2233-D</b>	<b>White</b> (Discontinued)
<b>5-2233-D-B</b>	<b>Brown</b>

Material: Aluminum  
 Glass Thickness: 3mm (1/8")  
 Stock Length: 13'  
 Unit: Foot      Bulk: 65 Ft.  
 Used By: Indal/W.A.P.

•Will be discontinued when stock runs out.

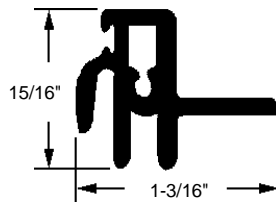


**Sash Meet Rail**

Part Number	Colour
<b>5-2234-D</b>	<b>White</b>
<b>5-2234-D-B</b>	<b>Brown</b>

Material: Aluminum  
 Glass Thickness: 3mm (1/8")  
 Stock Length: 13'  
 Unit: Foot      Bulk: 65 Ft.  
 Used By: Indal/W.A.P.

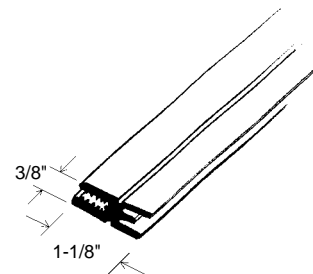
•Will be discontinued when stock runs out.



**Sash Meet Rail**

Part Number	Colour
<b>5-2235-D</b>	<b>White</b>
<b>5-2235-D-B</b>	<b>Brown</b>
<b>5-2235-D-M</b>	<b>Mill</b>

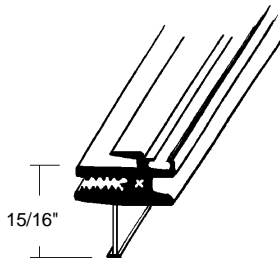
Material: Aluminum  
 Glass Thickness: 3mm (1/8")  
 Stock Length: 13'  
 Unit: Foot      Bulk: 65 Ft.  
 Used By: Indal/W.A.P.



**Sash Top/Bottom Rail**

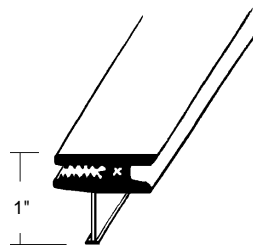
Part Number	Material: PVC
<b>5-2236-E</b>	Colour: White
	Glass Thickness: 3mm/4mm
	Stock Length: 16'
Unit: Foot	Bulk: 80 Ft.
Used By: Willmar	

# SLIDING WINDOW HARDWARE & LINEALS



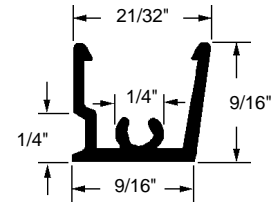
### Sash Meet Rail

Part Number  
**5-2237-E**  
 Material: PVC  
 Colour: White  
 Glass Thickness: 3mm/4mm  
 Stock Length: 16'  
 Unit: Foot      Bulk: 80 Ft.  
 Used By: Willmar



### Sash Pull Rail

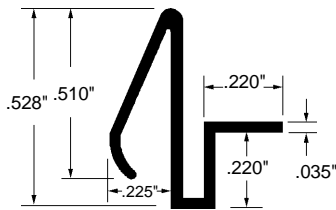
Part Number  
**5-2238-E**  
 Material: PVC  
 Colour: White  
 Glass Thickness: 3mm/4mm  
 Stock Length: 16'  
 Unit: Foot      Bulk: 80 Ft.  
 Used By: Willmar



### Sash Bar

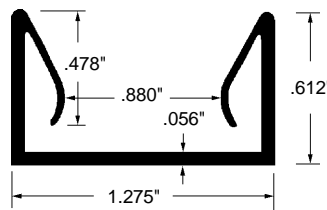
Part Number	Colour
<b>5-2240-B</b>	<b>Brown</b>
<b>5-2240-W</b>	<b>White</b>

Material: Extruded Aluminum  
 Glass Thickness: 3-5mm (1/8"-3/16")  
 Stock Length: 16'  
 Unit: Length      Bulk: 5 S/L  
 Used By: Several Manufacturers



### Interlock

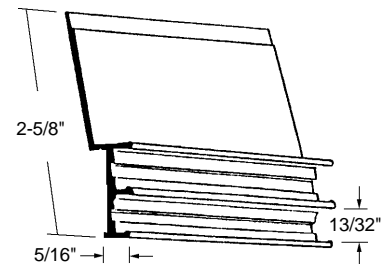
Part Number  
**5-2242-I**  
 Material: Plastic  
 Colour: Grey  
 Stock Length: 8' 6"  
 Unit: S/L      Bulk: 10 S/L  
 Used By: Several Manufacturers



### Jamb Track

Part Number  
**5-2242-J**  
 Material: PVC  
 Colour: Grey  
 Stock Length: 8' 6"  
 Unit: S/L      Bulk: 10 S/L  
 Used By: Several Manufacturers

•Used with 5-2208 (-A) on this page.

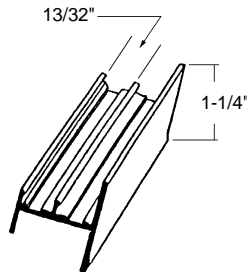


### Inside Run Window Track

Part Number	Stock Length
<b>5-2207</b>	<b>10'</b>
<b>5-2207-A</b>	<b>12'</b>

Material: PVC  
 Colour: Grey  
 Unit: Foot      Bulk: 120 Ft.  
 Used By: Several Manufacturers

•Used with 5-2207 (-A) on this page.

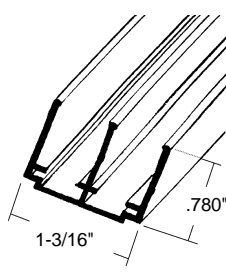


### Exterior Run Window Track

Part Number	Stock Length
<b>5-2208</b>	<b>10'</b>
<b>5-2208-A</b>	<b>12'</b>

Material: PVC  
 Colour: Grey  
 Unit: Foot      Bulk: 120 Ft.  
 Used By: Several Manufacturers

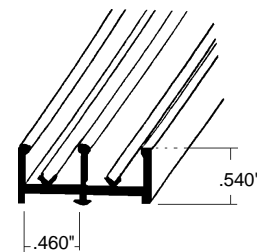
•Used with 5-2211 on this page.



### Window Track — Head & Jamb

Part Number  
**5-2209**  
 Material: PVC  
 Colour: White  
 Stock Length: 12'  
 Unit: Foot      Bulk: 120 Ft.  
 Used By: Several Manufacturers

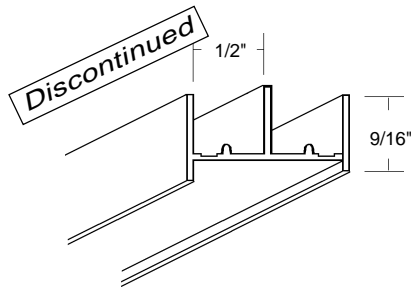
•Used with 5-2209 on this page.  
 •Overall width: 1-3/16".



### Window Track — Sill

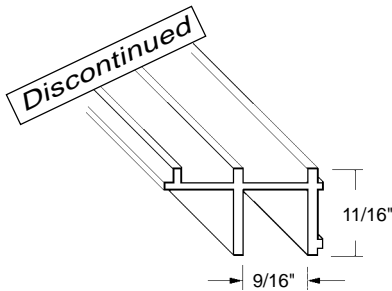
Part Number  
**5-2211**  
 Material: PVC  
 Colour: White  
 Stock Length: 12'  
 Unit: Foot      Bulk: 120 Ft.  
 Used By: Several Manufacturers

# SLIDING WINDOW HARDWARE & LINEALS



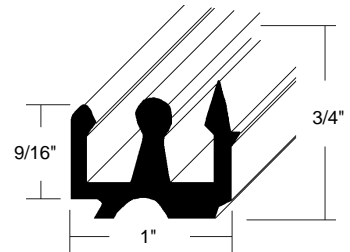
## Exterior Bottom Track

Part Number  
**5-2246-D**  
 Material: Aluminum  
 Colour: White  
 Stock Length: 16'  
 Unit: N/A  
 Used By: Indal/W.A.P.



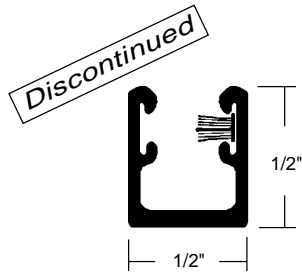
## Exterior Bottom Track

Part Number  
**5-2248-D**  
 Material: Aluminum  
 Colour: White  
 Stock Length: 16'  
 Unit: N/A  
 Used By: Indal/W.A.P.



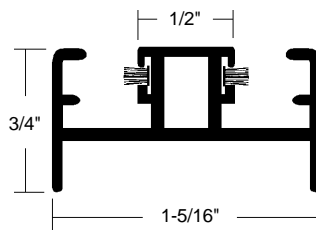
## Glass Track

Part Number  
**5-2252**  
 Material: PVC  
 Colour: Grey  
 Glass Thickness: 5mm (3/16")  
 Stock Length: 8'  
 Unit: Foot                      Bulk: 80 Ft.  
 Used By: Several Manufacturers



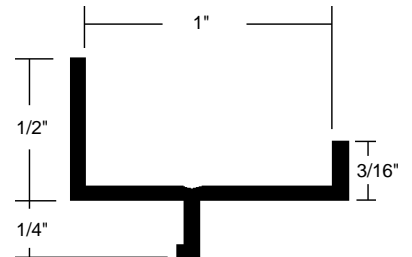
## Semi-Sashless Track

Part Number  
**5-2250**  
 Material: PVC  
 Colour: White  
 Stock Length: 8'  
 Unit: N/A  
 Used By: Several Manufacturers



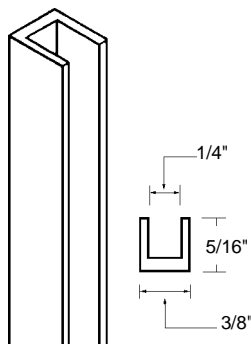
## Semi-Sashless Track

Part Number  
**5-2251**  
 Material: PVC  
 Colour: White  
 Stock Length: 15'  
 Unit: Foot                      Bulk: 75 Ft.  
 Used By: Several Manufacturers



## Screen Adapter

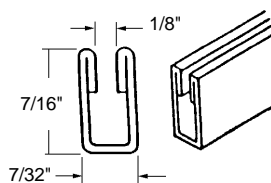
Part Number  
**5-2271**  
 Material: PVC  
 Colour: White  
 Stock Length: 12'  
 Unit: Foot                      Bulk: 120 Ft.  
 Used By: Several Manufacturers



## "U" Channel

Part Number  
**5-2243**  
 Material: PVC  
 Colour: Grey  
 Stock Length: 12' (approximately)  
 Unit: S/L                      Bulk: 10 S/L  
 Used By: Several Manufacturers

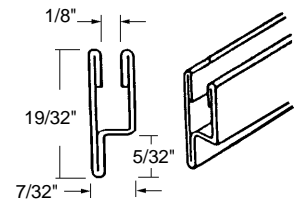
•Simply edge 3mm glass and dry glaze.



## Storm Frame

Part Number  
**5-2216**  
 Material: Roll Formed Aluminum  
 Colour: White  
 Metal Thickness: .025"  
 Stock Length: 12'  
 Unit: S/L                      Bulk: 10 S/L  
 Used By: Several Manufacturers

•Simply edge 3mm glass and dry glaze.

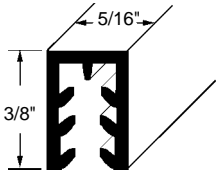


## Storm Frame c/w Lip

Part Number  
**5-2215**  
 Material: Roll Formed Aluminum  
 Colour: White  
 Metal Thickness: .025"  
 Stock Length: 12'  
 Unit: S/L                      Bulk: 10 S/L  
 Used By: Several Manufacturers

# SLIDING WINDOW HARDWARE & LINEALS

•Simply edge 3mm glass and dry glaze.



## Storm Frame

Part Number

**5-2286**

Material: Plastic

Colour: White

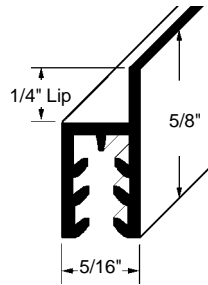
Stock Length: 12'

Unit: S/L

Bulk: 10 S/L

Used By: Several Manufacturers

•Simply edge 3mm glass and dry glaze.



## Storm Frame c/w Lip

Part Number

**5-2285**

Material: Plastic

Colour: White

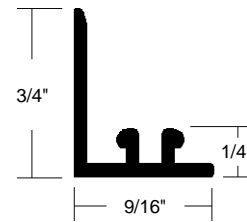
Stock Length: 12'

Unit: S/L

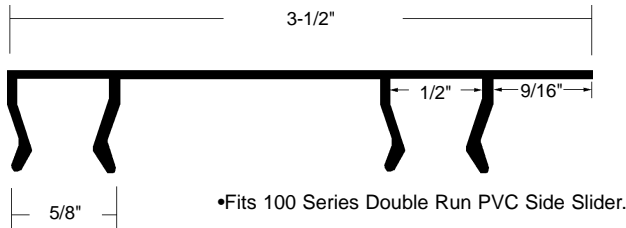
Bulk: 10 S/L

Used By: Several Manufacturers

•More D.B.L. extrusions on page 5-38 and 5-39.



We are constantly adding new parts to our inventory. If you do not see the required part in our catalogue, send a sample, or, a drawing or photo with material, colour and measurements to our customer service department. We will contact you with price and ordering information. Be sure to include your name and phone number. Sample will not be returned unless requested.



•Fits 100 Series Double Run PVC Side Slider.

## Jamb Section

Part Number

**5-2267**

Material: PVC

Stock Length: 12'

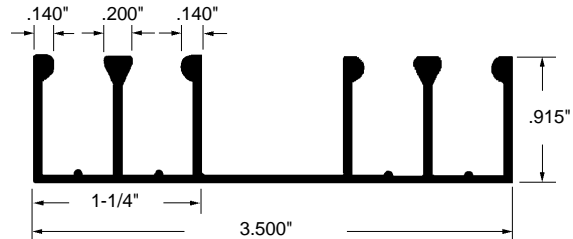
Used By: Willmar

Colour

**White**

Unit: Foot

Bulk: 72 Ft.



## Head Track

Part Number

**5-2282**

Material: PVC

Stock Length: 12'

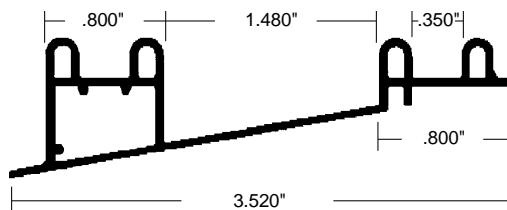
Used By: Willmar

Colour

**White**

Unit: Foot

Bulk: 72 Ft.



## Sill Track

Part Number

**5-2283**

Material: PVC

Stock Length: 12'

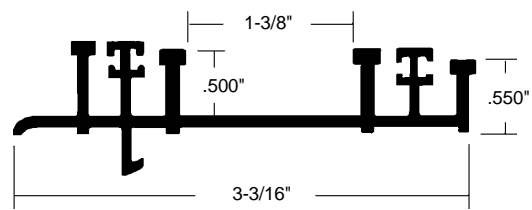
Used By: Willmar

Colour

**White**

Unit: Foot

Bulk: 72 Ft.



## Sill Track for Sash Bar Type "C"

Part Number

**5-2239-C**

Material: PVC

Stock Length: 12'

Used By: Wescab

Colour

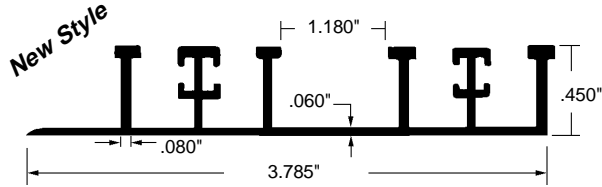
**White**

Unit: Foot

Bulk: 60 Ft.

# SLIDING WINDOW HARDWARE & LINEALS

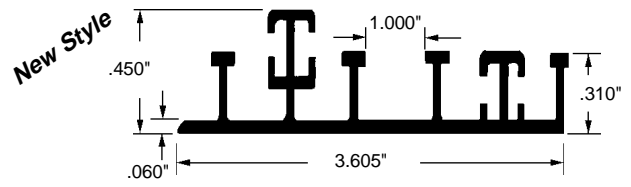
•Replaces 2 track system from the 1960's - 1970's.



**Sill Track c/w 12-1249 Weatherstripping**

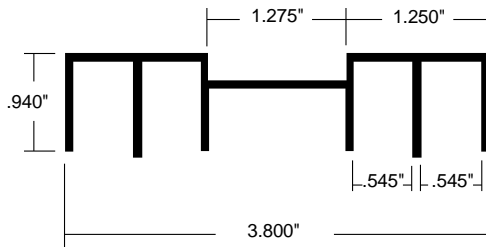
Part Number                      Colour  
**5-2280**                              **White**  
 Material: PVC  
 Stock Length: 12'              Unit: Foot              Bulk: 72 Ft.  
 Used By: A.G.P./Wescab

•Replaces 2 track system from the 1950's - 1960's.



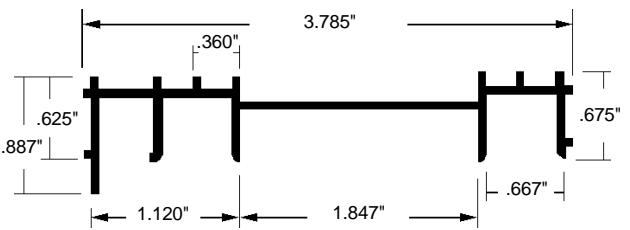
**Sill Track c/w 12-1249 Weatherstripping**

Part Number                      Colour  
**5-2281**                              **White**  
 Material: PVC  
 Stock Length: 12'              Unit: Foot              Bulk: 72 Ft.  
 Used By: A.G.P./Wescab



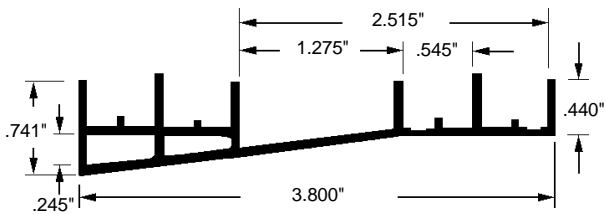
**Head Track**

Part Number                      Colour  
**5-2268**                              **White**  
 Material: PVC  
 Stock Length: 12'              Unit: Foot              Bulk: 72 Ft.  
 Used By: Indal



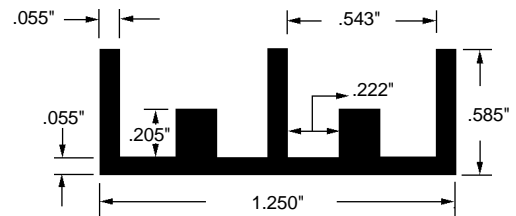
**Screen Jamb**

Part Number                      Colour  
**5-2270**                              **White**  
 Material: PVC  
 Stock Length: 12'              Unit: Foot              Bulk: 72 Ft.  
 Used By: Indal



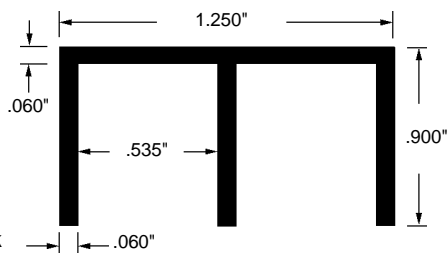
**Sill Track**

Part Number                      Colour  
**5-2269**                              **White**  
 Material: PVC  
 Stock Length: 12'              Unit: Foot              Bulk: 72 Ft.  
 Used By: Indal



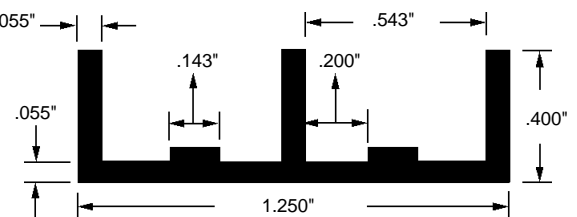
**Bottom Track**

Part Number                      Colour  
**5-2276**                              **White**  
 Material: PVC  
 Stock Length: 12'              Unit: Foot              Bulk: 72 Ft.  
 Used By: Gienow



**Top Track**

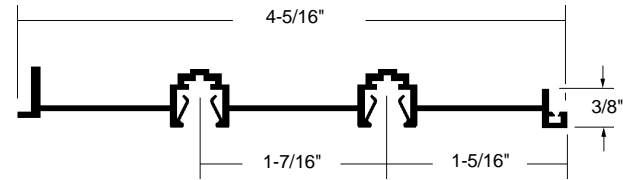
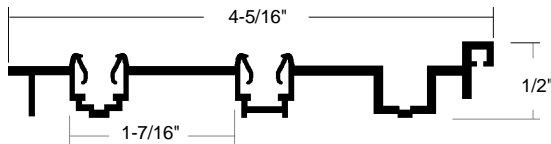
Part Number                      Colour  
**5-2277**                              **White**  
 Material: PVC  
 Stock Length: 12'              Unit: Foot              Bulk: 72 Ft.  
 Used By: Gienow



**Bottom Track**

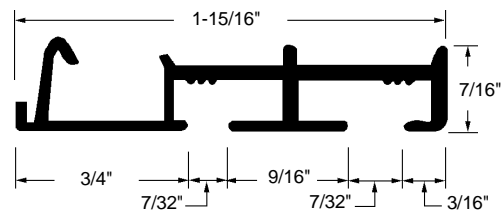
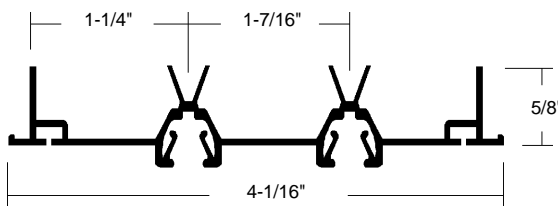
Part Number                      Colour  
**5-2278**                              **White**  
 Material: PVC  
 Stock Length: 12'              Unit: Foot              Bulk: 72 Ft.  
 Used By: Gienow

# SLIDING WINDOW HARDWARE & LINEALS



**Semi-Sashless Jamb Track**

Part Number            Colour  
**5-2253**                    **White**  
 Material: PVC  
 Stock Length: 15'      Unit: Foot      Bulk: 75 Ft.  
 Used By: Several Manufacturers

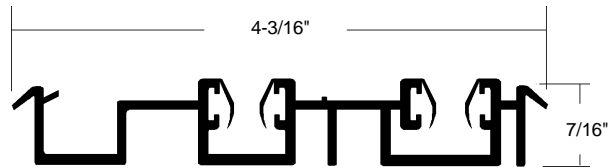
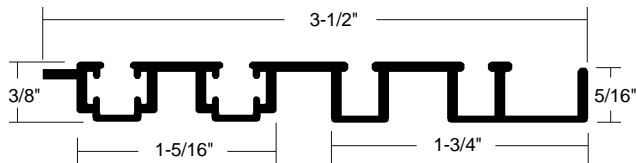


**Semi-Sashless Jamb Track**

Part Number            Colour  
**5-2254**                    **White**  
 Material: PVC  
 Stock Length: 15'      Unit: Foot      Bulk: 75 Ft.  
 Used By: Several Manufacturers

**Semi-Sashless Jamb Track**

Part Number            Colour  
**5-2249**                    **White**  
 Material: PVC  
 Stock Length: 15'      Unit: Foot      Bulk: 75 Ft.  
 Used By: Several Manufacturers

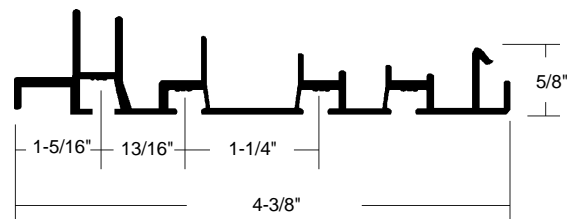
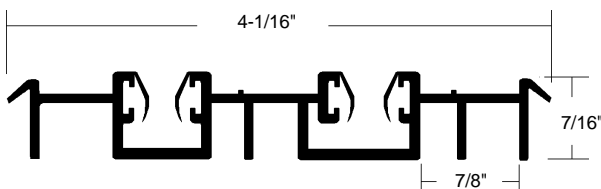


**Semi-Sashless Jamb Track**

Part Number            Colour  
**5-2275**                    **White**  
 Material: PVC  
 Stock Length: 12'      Unit: Foot      Bulk: 72 Ft.  
 Used By: Several Manufacturers

**Semi-Sashless Jamb Track**

Part Number            Colour  
**5-2272**                    **White**  
 Material: PVC  
 Stock Length: 12'      Unit: Foot      Bulk: 72 Ft.  
 Used By: Several Manufacturers



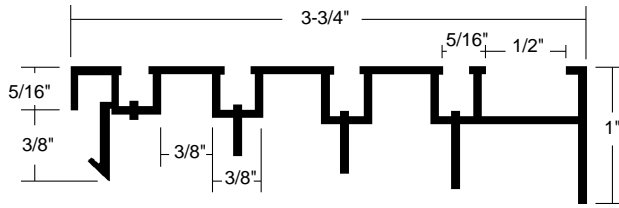
**Semi-Sashless Jamb Track**

Part Number            Colour  
**5-2274**                    **White**  
 Material: PVC  
 Stock Length: 12'      Unit: Foot      Bulk: 72 Ft.  
 Used By: Several Manufacturers

**Semi-Sashless Sill Track**

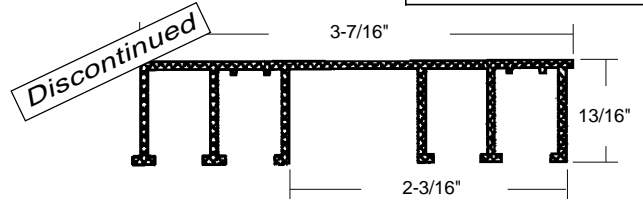
Part Number            Colour  
**5-2255**                    **White**  
 Material: PVC  
 Stock Length: 15'      Unit: Foot      Bulk: 75 Ft.  
 Used By: Several Manufacturers

# SLIDING WINDOW HARDWARE & LINEALS



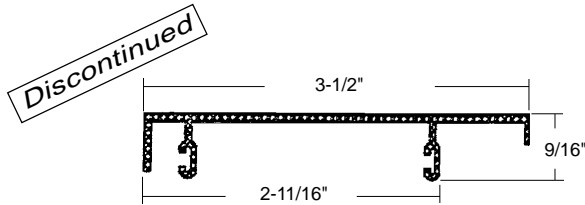
## Semi-Sashless Sill Track

Part Number            Colour  
**5-2273**                    **White**  
 Material: PVC  
 Stock Length: 12'        Unit: Foot        Bulk: 72 Ft.  
 Used By: Several Manufacturers



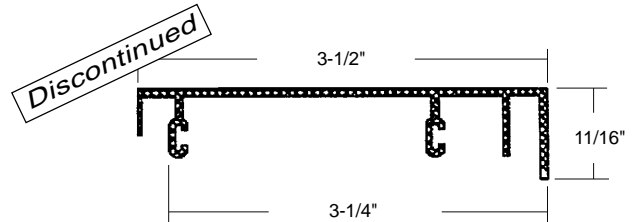
## Horizontal Slider — Top Track

Part Number            Colour  
**5-2256**                    **Black**  
 Material: PVC  
 Stock Length: 15' 9"    Unit: N/A  
 Used By: D.B.L.



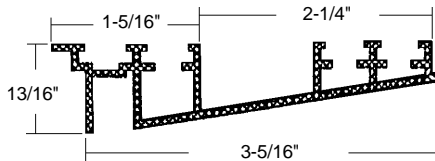
## Horizontal Slider — Fixed Jamb Track

Part Number            Colour  
**5-2257**                    **Black**  
 Material: PVC  
 Stock Length: 15' 9"    Unit: N/A  
 Used By: D.B.L.



## Horizontal Slider — Screen Jamb Track

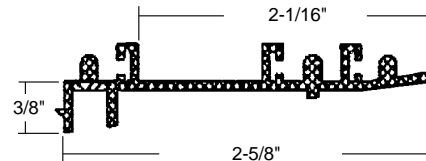
Part Number            Colour  
**5-2258**                    **Grey**  
 Material: PVC  
 Stock Length: 12'        Unit: N/A  
 Used By: D.B.L.



## Horizontal Slider — Sill Track

Part Number            Colour  
**5-2265**                    **White**  
 Material: PVC  
 Stock Length: 13'        Unit: S/L        Bulk: 5 S/L  
 Used By: D.B.L.

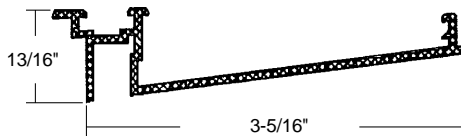
•Will be discontinued when stock runs out.



## Horizontal Slider — 2-Piece Sill Track (Insert)

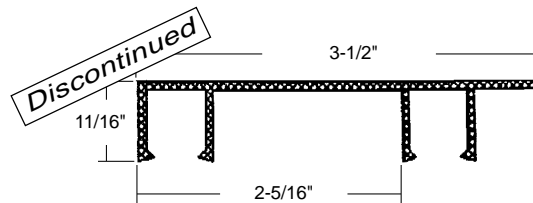
Part Number            Colour  
**5-2259**                    **Black**  
 Material: PVC  
 Stock Length: 15' 9"    Unit: S/L        Bulk: 5 S/L  
 Used By: D.B.L.

•Will be discontinued when stock runs out.



## Horizontal Slider — 2-Piece Sill Track (Base)

Part Number            Colour  
**5-2260**                    **Black**  
 Material: PVC  
 Stock Length: 15' 9"    Unit: S/L        Bulk: 5 S/L  
 Used By: D.B.L.

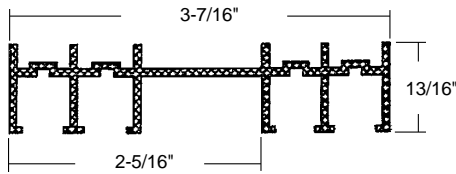


## Vertical Slider — Head Track

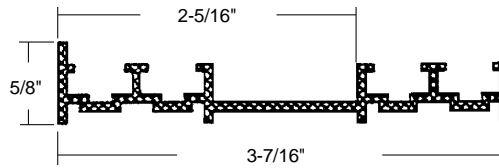
Part Number            Colour  
**5-2261**                    **Black**  
 Material: PVC  
 Stock Length: 15' 9"    Unit: N/A  
 Used By: D.B.L.

# SLIDING WINDOW HARDWARE & LINEALS

•Will be discontinued when stock runs out.

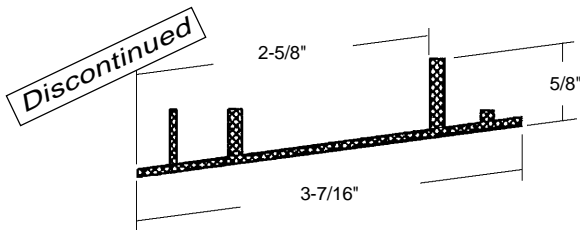


•Will be discontinued when stock runs out.



## Vertical Slider — Jamb Track

Part Number                      Colour  
**5-2263**                              **Black**  
 Material: PVC  
 Stock Length: 15' 9"      Unit: S/L              Bulk: 5 S/L  
 Used By: D.B.L.

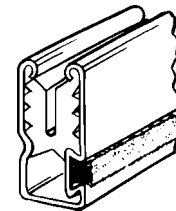


## Vertical Slider — Sill Track

Part Number                      Colour  
**5-2264**                              **Black**  
 Material: PVC  
 Stock Length: 15' 9"      Unit: N/A  
 Used By: D.B.L.

## C-SASH®

### Windo-Tite™ Custom Storm Window Systems



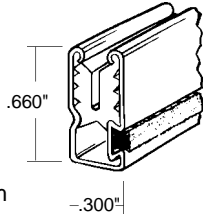
•The *all-in-one* aluminum glass framing member complete with pre-assembled vinyl gasketing and insulating pile weatherstrip. For 3mm glass.

•C-Sash Windo-Tite™ storm panels are easy to assemble and install.

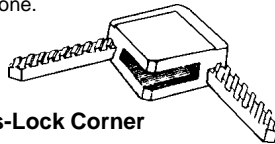
•The *all-in-one* aluminum glass framing member complete with pre-assembled vinyl gasketing and insulating pile weatherstrip.

## C-Sash

Part Number  
**5-1299B**  
 Material: Aluminum  
 Colour: White  
 Glass Thickness: 3mm  
 Stock Length: 12'  
 Unit: S/L                      Bulk: 10 S/L  
 Manufactured By: Windo-Tite™



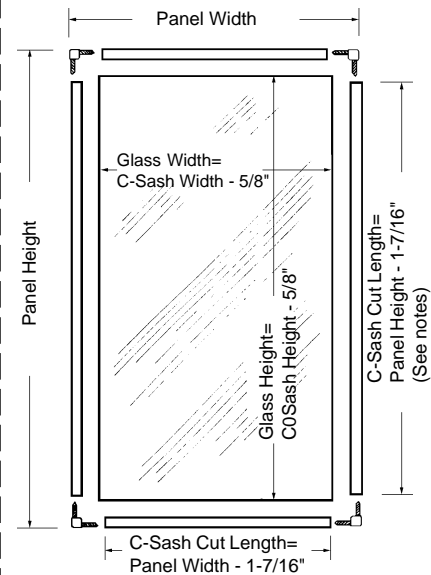
•Made of high impact ABS, the *Press-Lock* Corner eliminates the need for mitering; a simple square cut is all it takes. And no need for staking the corner as in the past; just press in and you're done.



## C-Sash Press-Lock Corner

Part Number  
**5-1299C**  
 Material: ABS  
 Colour: White  
 Unit: Each                      Bulk: 50 Pcs.  
 Manufactured By: Windo-Tite™

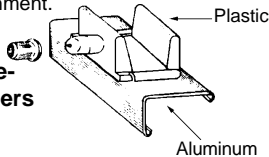
## C-Sash Fabrication



•The preferred inside storm fastening system that gives a beautiful, professional look to the finished job. The slide bolt inserts into a brass fitting giving positive, reliable attachment.

## C-Sash Slide-Lock Fasteners

Part Number  
**5-1299L**  
 Material: Plastic/Aluminum  
 Colour: White  
 Unit: Each                      Bulk: 25 Pcs.  
 Manufactured By: Windo-Tite™



•A vinyl section with pile weatherstrip that fits on the C-Sash frame to correct for sill irregularities and provide weathersealing. Necessary for special applications only.

## C-Sash Sill Expander

Part Number  
**5-1299S**  
 Material: Vinyl  
 Colour: White  
 Stock Length: 40"  
 Unit: S/L                      Bulk: 10 S/L  
 Manufactured By: Windo-Tite™

